



Chipsmall Limited consists of a professional team with an average of over 10 year of expertise in the distribution of electronic components. Based in Hongkong, we have already established firm and mutual-benefit business relationships with customers from,Europe,America and south Asia,supplying obsolete and hard-to-find components to meet their specific needs.

With the principle of “Quality Parts,Customers Priority,Honest Operation,and Considerate Service”,our business mainly focus on the distribution of electronic components. Line cards we deal with include Microchip,ALPS,ROHM,Xilinx,Pulse,ON,Everlight and Freescale. Main products comprise IC,Modules,Potentiometer,IC Socket,Relay,Connector.Our parts cover such applications as commercial,industrial, and automotives areas.

We are looking forward to setting up business relationship with you and hope to provide you with the best service and solution. Let us make a better world for our industry!



Contact us

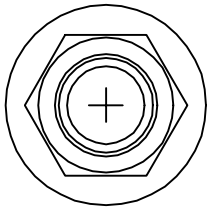
Tel: +86-755-8981 8866 Fax: +86-755-8427 6832

Email & Skype: info@chipsmall.com Web: www.chipsmall.com

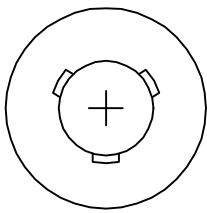
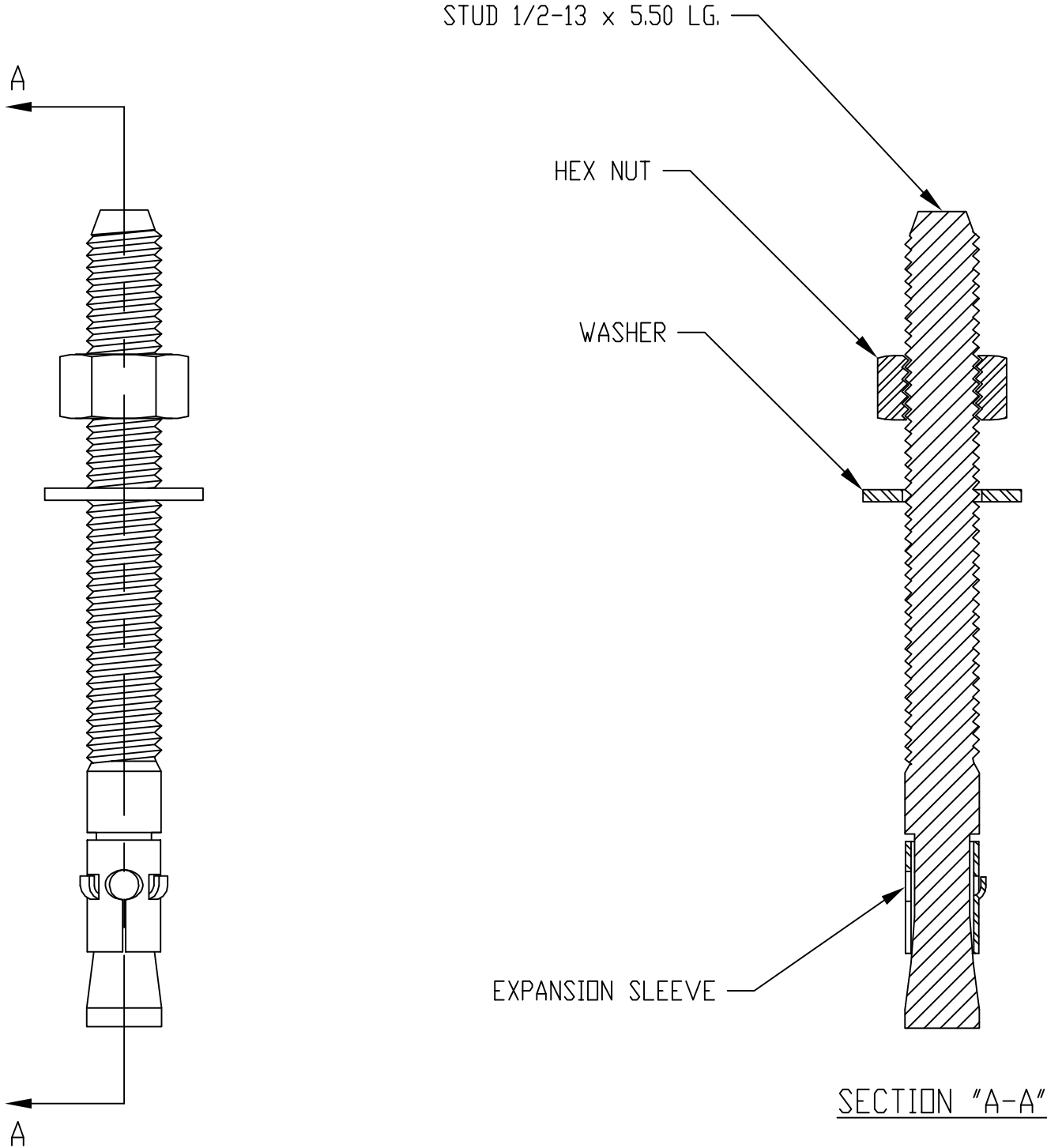
Address: A1208, Overseas Decoration Building, #122 Zhenhua RD., Futian, Shenzhen, China



| | | | | | |
|-----------|--------------------|----------|---------|-----------|---------|
| PART NAME | SEISMIC ANCHOR KIT | PART No. | AK-8850 | REV. DATE | 8-31-05 |
|-----------|--------------------|----------|---------|-----------|---------|



MATERIAL: STEEL
FINISH: ZINC PLATE



TENSION TEST

CONCRETE STRENGTH: 2,000 psi
DEPTH OF EMBEDMENT: 2.25 inches min.
AVERAGE TORQUE OF NUT: 55 ft. lbs.
AVERAGE PULLOUT: 4,660 lbs.

SHEAR TEST

CONCRETE STRENGTH: 2,000 psi
DEPTH OF EMBEDMENT: 2.25 inches min.
AVERAGE TORQUE OF NUT: 55 ft. lbs.
AVERAGE PULLOUT: 4,760 lbs.

APPROVALS/LISTINGS

MEETS OR EXCEEDS U.S. GOVERNMENT G.S.A. SPECIFICATION FF-S-325 GROUP II,
TYPE 4, CLASS 1
UNDERWRITERS LABORATORIES
FACTORY MUTUAL
ICBO EVALUATION SERVICE, INC. - #ER-1372 (INCLUDING
SEISMIC LOADING CONDITIONS)
METRO-DADE COUNTY - #01-0504.12
CITY OF LOS ANGELES - #RR2748
SBCCI COMPLIANCE REPORT - #9570
CALIFORNIA STATE FIRE MARSHAL
CAL TRANS

INSTALLATION

0.50" DIA. CARBIDE TIPPED HAMMER DRILL BITS
ANCHOR DIAMETER EQUALS HOLE DIAMETER