



Chipsmall Limited consists of a professional team with an average of over 10 year of expertise in the distribution of electronic components. Based in Hongkong, we have already established firm and mutual-benefit business relationships with customers from,Europe,America and south Asia,supplying obsolete and hard-to-find components to meet their specific needs.

With the principle of “Quality Parts,Customers Priority,Honest Operation,and Considerate Service”,our business mainly focus on the distribution of electronic components. Line cards we deal with include Microchip,ALPS,ROHM,Xilinx,Pulse,ON,Everlight and Freescale. Main products comprise IC,Modules,Potentiometer,IC Socket,Relay,Connector.Our parts cover such applications as commercial,industrial, and automotives areas.

We are looking forward to setting up business relationship with you and hope to provide you with the best service and solution. Let us make a better world for our industry!



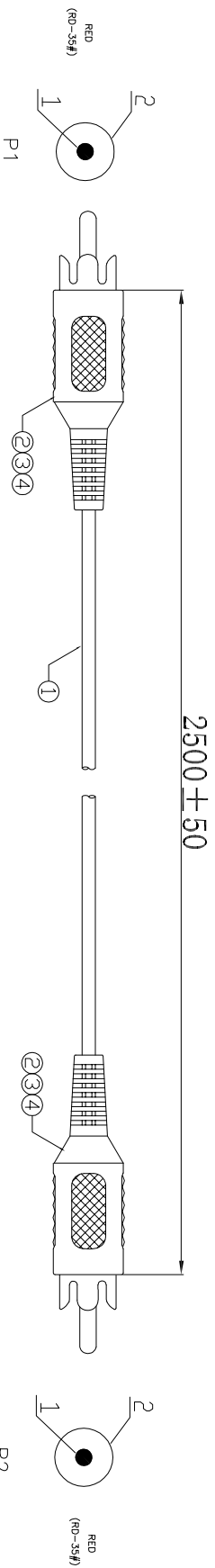
Contact us

Tel: +86-755-8981 8866 Fax: +86-755-8427 6832

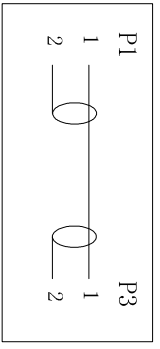
Email & Skype: info@chipsmall.com Web: www.chipsmall.com

Address: A1208, Overseas Decoration Building, #122 Zhenhua RD., Futian, Shenzhen, China

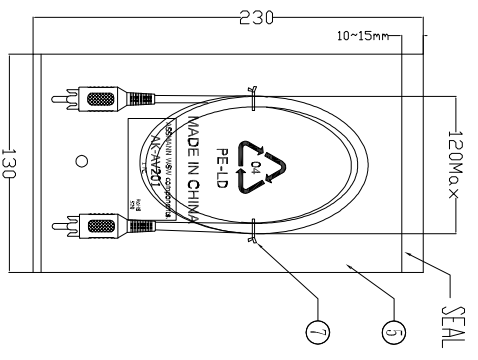




PIN ASSIGNMENT:



- Electrical test:**
1. 100% short, open, miss wire test
 2. Conduct resistance: 2 Ohm(max)
 3. Insulation resistance: 5Mohm(min)
 4. Dielectric test: DC 300V



⑦	TIE	2	BLACK L=80mm
⑥	PE BAG	1/10	CLEAR PRINT BLACK"MADE IN CHINA"-"10PCS"
⑤	PE BAG	1	CLEAR PRINT BLACK"MADE IN CHINA"-"1PC"
④	TUBE	2	HEAT SHRINK TUBE BLACK OD1.5"×10MM
③	IN JACKET	1.6g	CLEAR LD-PE (Mould NO.:NM-006)
②	CONN	2	PVC-40P RED(RED-35)/(Mould NO. WM-009)
①	CABLE	1	RCA PLUG MALE BLOSSOM TYPE NPLATED INSULATOR COLOR: BROWN T.C (100.12×280.12)×1°C OD3.0MM JACKET PVC COLOR BLACK

RoHS compliant
Unit: mm

Scale	Free								
TOLERANCE									
DIM	TOL								
Angle	TOL								
Id.	①	Drawn	Tom	15.03.2017	Tom				
Modification									

1	2	3	4	5	6	7
---	---	---	---	---	---	---



Customer-No. ASSMANN WSW-No. AK-AV201
Drawing-No. ASS 8221 CA rev00
Replace Sheet