



Chipsmall Limited consists of a professional team with an average of over 10 year of expertise in the distribution of electronic components. Based in Hongkong, we have already established firm and mutual-benefit business relationships with customers from,Europe,America and south Asia,supplying obsolete and hard-to-find components to meet their specific needs.

With the principle of “Quality Parts,Customers Priority,Honest Operation,and Considerate Service”,our business mainly focus on the distribution of electronic components. Line cards we deal with include Microchip,ALPS,ROHM,Xilinx,Pulse,ON,Everlight and Freescale. Main products comprise IC,Modules,Potentiometer,IC Socket,Relay,Connector.Our parts cover such applications as commercial,industrial, and automotives areas.

We are looking forward to setting up business relationship with you and hope to provide you with the best service and solution. Let us make a better world for our industry!



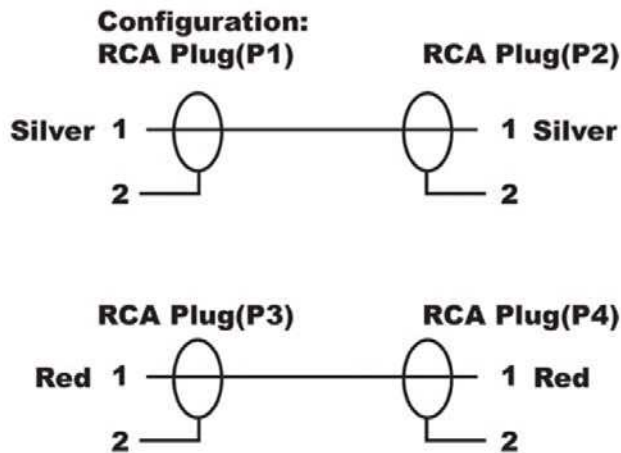
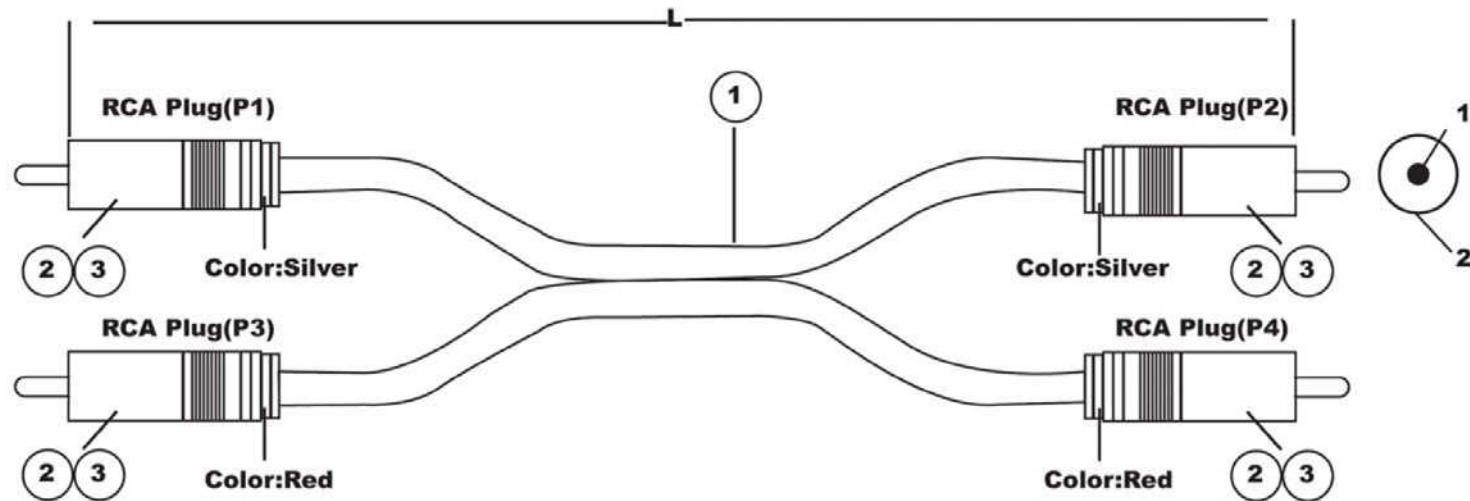
Contact us

Tel: +86-755-8981 8866 Fax: +86-755-8427 6832

Email & Skype: info@chipsmall.com Web: www.chipsmall.com

Address: A1208, Overseas Decoration Building, #122 Zhenhua RD., Futian, Shenzhen, China





Item No.	L
AK-AV500	1500±50
AK-AV501	5000±50

Notes:

- Metal Plug, Chrome-Plated
- Contacts: Gold Plated, Shielded
- 2 by Cinch Male to 2 by Cinch Male



<i>ITEM NO</i>	AK-AV500 (1.5M)
	AK-AV501 (5.0M)
<i>TITLE</i>	High Quality Stereo Connection Cable, 2 x Cinch Male to 2 x Cinch Male

ASSMANN
 Electronics, Inc.

1840 W. Drake Drive, Suite 101 – Tempe, AZ 85283
 Toll Free: 1-877-277-6266 Email: info@usa-assmann.com

THIS DRAWING IS UNPUBLISHED
 © Copyright 2008 by Assmann Electronic Components
 All International Rights Reserved