



Chipsmall Limited consists of a professional team with an average of over 10 year of expertise in the distribution of electronic components. Based in Hongkong, we have already established firm and mutual-benefit business relationships with customers from,Europe,America and south Asia,supplying obsolete and hard-to-find components to meet their specific needs.

With the principle of “Quality Parts,Customers Priority,Honest Operation,and Considerate Service”,our business mainly focus on the distribution of electronic components. Line cards we deal with include Microchip,ALPS,ROHM,Xilinx,Pulse,ON,Everlight and Freescale. Main products comprise IC,Modules,Potentiometer,IC Socket,Relay,Connector.Our parts cover such applications as commercial,industrial, and automotives areas.

We are looking forward to setting up business relationship with you and hope to provide you with the best service and solution. Let us make a better world for our industry!



Contact us

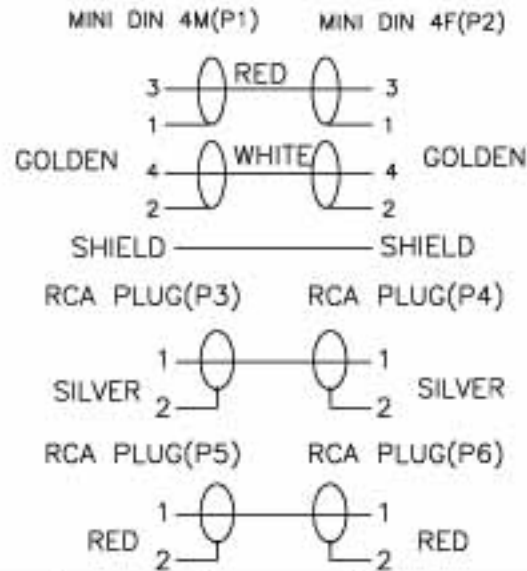
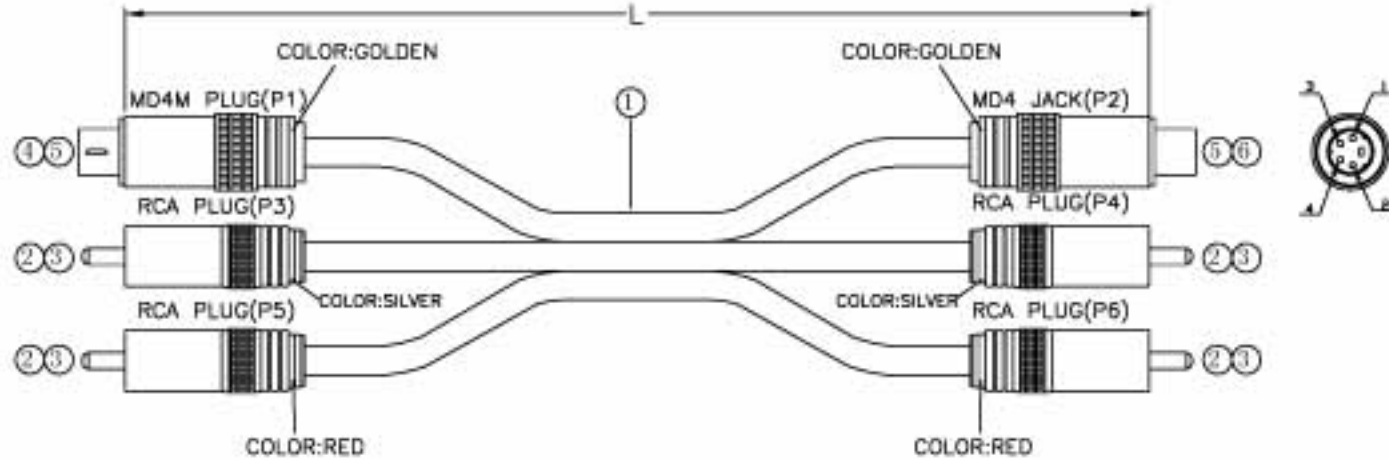
Tel: +86-755-8981 8866 Fax: +86-755-8427 6832

Email & Skype: info@chipsmall.com Web: www.chipsmall.com

Address: A1208, Overseas Decoration Building, #122 Zhenhua RD., Futian, Shenzhen, China



REVISION	DESCRIPTION	DATE
V0	NEW	2002.09.10



ITEM NO.	L
AK-AV510	1500±50
AK-AV511	5000±50

NO.	DESCRIPTION	QTY
①	CONNECTOR: MINI DIN4F GOLD PLATED #6.5MM SHIELD RING COLOR:GOLDEN	1PC
②	H.S TUBE: BLACK #1.5*8MM(4PCS) #3.0*8MM(4PCS) AND #9.0*15MM(2PCS)	10PCS
③	CONNECTOR: MINI DIN4M GOLD PLATED #6.5MM SHIELD RING COLOR:GOLDEN	1PC
④	HEAT SHRINK: BLACK #5.0*8MM	4PCS
⑤	CONNECTOR: RCA PLUG GOLD PLATED #6.5MM SHIELD RING COLOR SEE DRAWN	4SET
⑥	CABLE: FLAT [(B.C20/0.12+AL/MY+T.C40/D.12)*2C+AL/MY+(T.C4/16/D.12 OVER 85%)]x1F+(30/D.12+AL/MY+16/7/0.12)x2F O.D:8.0*6.0*6.0MM PVC JACKET COLOR:BLUE(CS-601)	1PCS

DATE	18 DEC,2002	PARTS NO	
UNIT	MM	DRAWN NO	N1409-1
SCALE	NO	BUYER NO	002

TITLE: 2*RCA+MD4M/2*RCA+MD4F
(ASSEMBLY TYPE)

DRAWN W.L.Q CHECK APPRO

ASSMANN Electronics