



Chipsmall Limited consists of a professional team with an average of over 10 year of expertise in the distribution of electronic components. Based in Hongkong, we have already established firm and mutual-benefit business relationships with customers from,Europe,America and south Asia,supplying obsolete and hard-to-find components to meet their specific needs.

With the principle of "Quality Parts,Customers Priority,Honest Operation,and Considerate Service",our business mainly focus on the distribution of electronic components. Line cards we deal with include Microchip,ALPS,ROHM,Xilinx,Pulse,ON,Everlight and Freescale. Main products comprise IC,Modules,Potentiometer,IC Socket,Relay,Connector.Our parts cover such applications as commercial,industrial, and automotives areas.

We are looking forward to setting up business relationship with you and hope to provide you with the best service and solution. Let us make a better world for our industry!



## Contact us

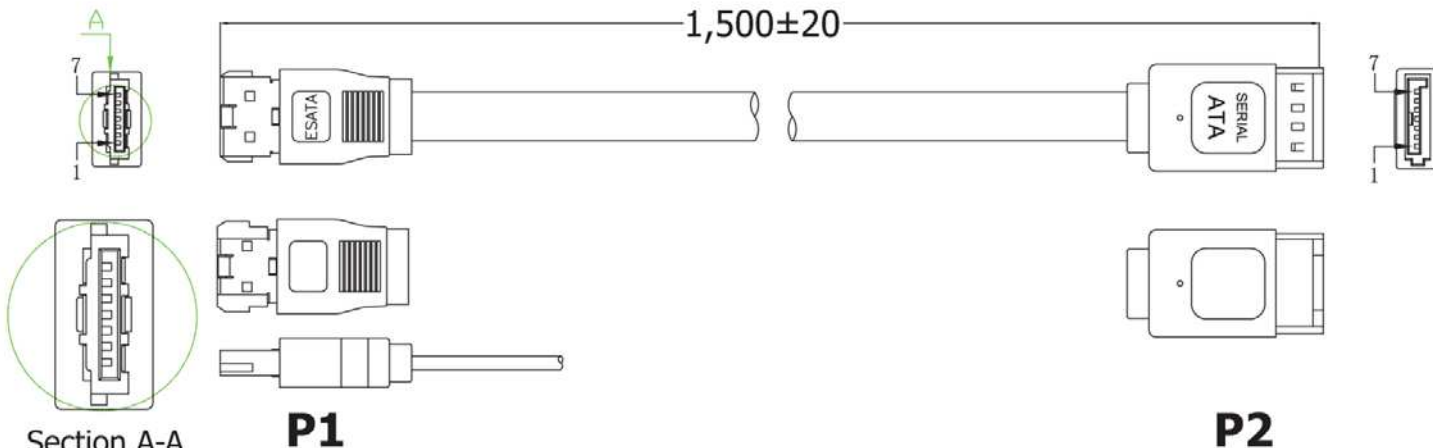
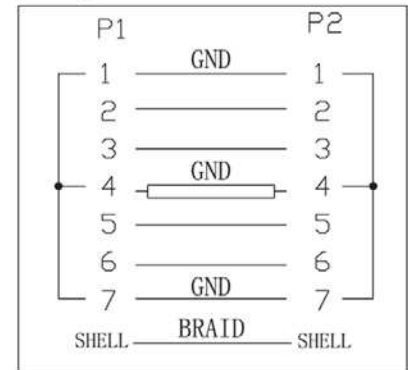
Tel: +86-755-8981 8866 Fax: +86-755-8427 6832

Email & Skype: info@chipsmall.com Web: www.chipsmall.com

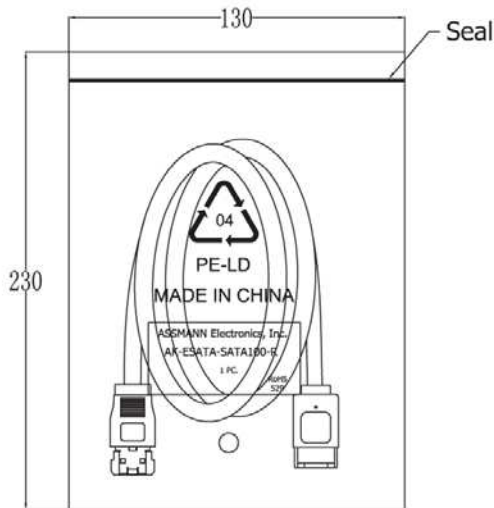
Address: A1208, Overseas Decoration Building, #122 Zhenhua RD., Futian, Shenzhen, China



Pin Assignment



Section A-A  
Scale 2:1



**Material:**

- Cable: UL2725 [26AWG(1/0.404)\*2F INS:HD-PE+D/W(1/0.32)\*2C+AL/MY]\*2F
  - Inner Jacket PVC Black
  - OD 2.1\*7.3MM +Braid(16/10/0.1)+PVC Jacket Color: Black OD 4.0\*9.0MM
- P1 Connector: eSATA 7P/F Crimp Type
  - Top/Bottom metal shell plate nickel
  - Pin G/F
  - Insulator Black
- P2 Connector: SATA 7P/F Crimp Type
  - Top/Bottom metal shell plate nickel
  - Pin G/F
  - Insulator Black
- Tube: Heat shrink tube Black OD 12MM L 10MM
- Acetate: Acetate cloth tape W 10MM \* L 40MM
- Copper Foil: Double-Sided conductive copper foil 20μ" W 10MM\*L 30MM
- Outer Jacket: PVC 45P Color Black

**Electrical:**

- 100% Open Short & Miswire test
- Conductive resistance: 1Ω Max.
- Insulation Resistance: 10MΩ/Min.
- Hi-Pat Test 300V DC

Unit: MM

Scale	1:1							Name
TOLERANCE								Item No.
X.X	±0.40					Drawn	12.29.11	Chappell
X.XX	±0.25					Approved		
X.XXX	±0.15							Title
Angle	±3°							External SATA (eSATA) <=> SATA Cable - 7P/F <=> 7P/F, 1.5 M
								Drawing No.
								rev00
								Replace
								Sheet
			Modification	Date	Name			

