



Chipsmall Limited consists of a professional team with an average of over 10 year of expertise in the distribution of electronic components. Based in Hongkong, we have already established firm and mutual-benefit business relationships with customers from,Europe,America and south Asia,supplying obsolete and hard-to-find components to meet their specific needs.

With the principle of "Quality Parts,Customers Priority,Honest Operation,and Considerate Service",our business mainly focus on the distribution of electronic components. Line cards we deal with include Microchip,ALPS,ROHM,Xilinx,Pulse,ON,Everlight and Freescale. Main products comprise IC,Modules,Potentiometer,IC Socket,Relay,Connector.Our parts cover such applications as commercial,industrial, and automotives areas.

We are looking forward to setting up business relationship with you and hope to provide you with the best service and solution. Let us make a better world for our industry!



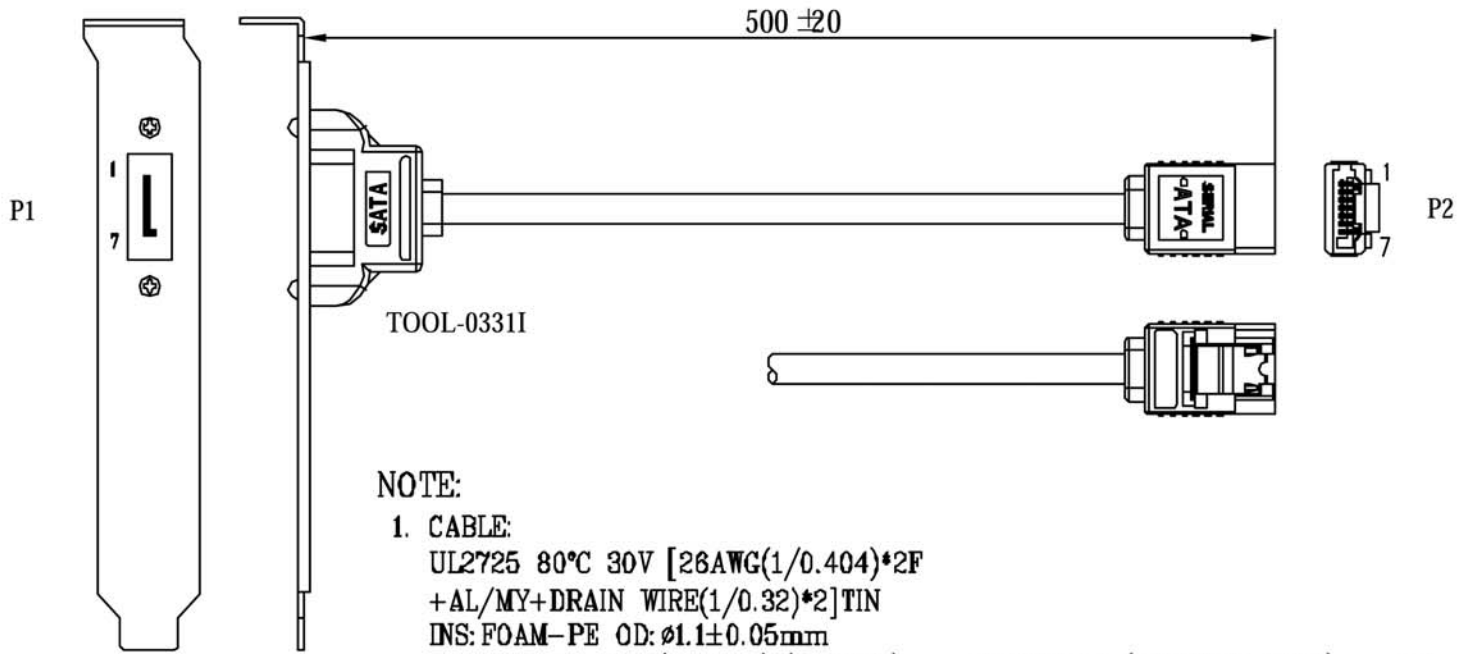
## Contact us

Tel: +86-755-8981 8866 Fax: +86-755-8427 6832

Email & Skype: info@chipsmall.com Web: www.chipsmall.com

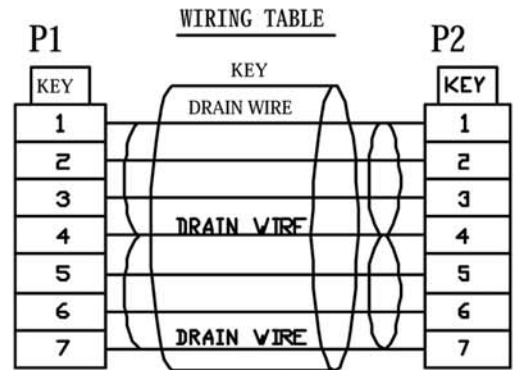
Address: A1208, Overseas Decoration Building, #122 Zhenhua RD., Futian, Shenzhen, China





**NOTE:**

1. CABLE:  
 UL2725 80°C 30V [26AWG(1/0.404)\*2F  
 +AL/MY+DRAIN WIRE(1/0.32)\*2]TIN  
 INS: FOAM-PE OD:  $\phi 1.1 \pm 0.05$ mm  
 PVC JACKET OD:  $\phi(2.2 \pm 0.1) * (7.8 \pm 0.2)$ mm COLOR: RED (PANTONE 200C)
2. CONNECTOR:  
 P1: SATA I 7P L TYPE PBT BLACK G/F W/METAL SHELL  
 P2: SATA 7P GOLD FLASH CONTACT, W/METAL LATCH
3. HOOD: MOLDED TYPE, PVC 45P, COLOR: BLACK(NK-K01)
4. CABLE ASS'Y ELECTRICAL TEST:  
 4-1 100% OPEN SHORT & MIS WIRE TEST  
 4-2 CONTACT RESISTANCE 3 OHM MAX  
 4-3 INSULATION RESISTANCE 10M OHM MIN  
 4-4 HI-POT DC300V/0.01SEC.
5. PACKING: SEE P-0039 REV.C PACKING DRAWING  
 (BINDING SIZE MUST BE SMALLER THAN BLISTER)  
 EAN CODE: 4016032180197.
6. BLISTER SIZE: DB VP4.



<i>ITEM NO</i>	<b>AK-SATA-SB1-R</b>
<i>TITLE</i>	Serial ATA 150 1 PORT Bracket, Slot Bracket W/1 SATA Port, .5M

**ASSMANN**  
 Electronics, Inc.

1840 W. Drake Drive, Suite 101 - Tempe, AZ 85283  
 Toll Free: 1-877-277-6266 Email: info@usa-assmann.com

THIS DRAWING IS UNPUBLISHED  
 © Copyright 2008 by Assmann Electronic Components  
 All International Rights Reserved