



Chipsmall Limited consists of a professional team with an average of over 10 year of expertise in the distribution of electronic components. Based in Hongkong, we have already established firm and mutual-benefit business relationships with customers from,Europe,America and south Asia,supplying obsolete and hard-to-find components to meet their specific needs.

With the principle of "Quality Parts,Customers Priority,Honest Operation,and Considerate Service",our business mainly focus on the distribution of electronic components. Line cards we deal with include Microchip,ALPS,ROHM,Xilinx,Pulse,ON,Everlight and Freescale. Main products comprise IC,Modules,Potentiometer,IC Socket,Relay,Connector.Our parts cover such applications as commercial,industrial, and automotives areas.

We are looking forward to setting up business relationship with you and hope to provide you with the best service and solution. Let us make a better world for our industry!



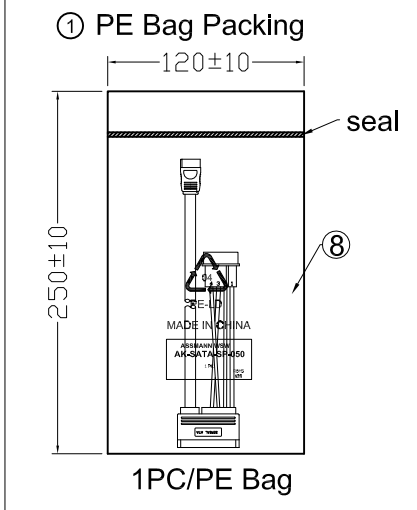
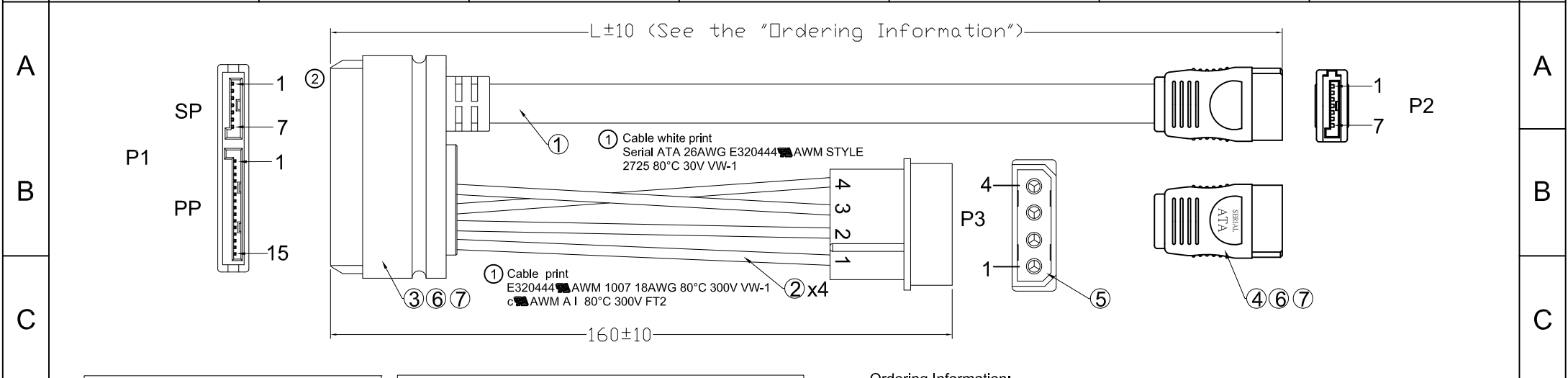
## Contact us

Tel: +86-755-8981 8866 Fax: +86-755-8427 6832

Email & Skype: info@chipsmall.com Web: www.chipsmall.com

Address: A1208, Overseas Decoration Building, #122 Zhenhua RD., Futian, Shenzhen, China





**PIN ASSIGNMENT**

P1(PP)	P3	P1(SP)	P2
01+02+03 NC	1	1 GND	1
13+14+15 Yellow 1	2	2	2
10+11+12 Black 2	3	3 GND	3
04+05+06 Black 3	4	4	4
07+08+09 Red 4	5	5	5
	6	6	6
	7	7 GND	7

Ordering Information:

② AK-SATA-SP-xxx

050 : L= 500mm  
075 : L= 750mm  
100 : L= 1000mm

NO.	NAME.	Q'TY	SPECIFICATION
⑧	PE bag	1	Clear Print black "MADE IN CHINA"+ "1PC"
⑦	Innereold	N/A	White PE
⑥	Overmold	N/A	Black PVC 45P
⑤	P3 Conn.	1	Big 4P Female/housing PH=5.08mm White Tin plate(with 4pcs terminal)
④	P2 Conn.	1	SATA 7P/F Crimp type terminal:15u" Insulator: Black PBT
③	P1 Conn.	1	SATA 7/F+15P/F Crimp type terminal:15u" Insulator: Black PBT
②	Cable	1	UL1007 18AWG(34/0.18TC) OD: 2.0mm Jacket:black*2/Yellow/Red
①	Cable	1	UL2725(26AWG(1/0.404)*2+D(1/0.32)*2+AL)*2F OD:2.2x7.8 Jacket: Red

**Electrical test:**

- Hi-Pot test: DC300V/10ms
- Conduct resistance: 2Ω max.
- Insulator resistance: 5MΩ min.
- 100% open, short, miswire test

**RoHS compliant**  
Unit: mm

Scale	Free					Date	Name	Customer-No.
TOLERANCE						Drawn	26.08.2014	Joanna
X.	±1					Approved	19.07.2017	Fred
X.X	±0.20							
		②	Change Module shape and add length type	19.07.2017	Fred			ASSMANN WSW-No. AK-SATA-SP-xxx
DIM	TOL	①	Update the drawing	18.08.2015	Amy			Drawing-No. ASS 7213 CA
		①	Drawn	26.08.2014	Joanna			rev02
Angle	TOL	Id.	Modification	Date	Name			Replace Sheet

