



Chipsmall Limited consists of a professional team with an average of over 10 year of expertise in the distribution of electronic components. Based in Hongkong, we have already established firm and mutual-benefit business relationships with customers from,Europe,America and south Asia,supplying obsolete and hard-to-find components to meet their specific needs.

With the principle of “Quality Parts,Customers Priority,Honest Operation,and Considerate Service”,our business mainly focus on the distribution of electronic components. Line cards we deal with include Microchip,ALPS,ROHM,Xilinx,Pulse,ON,Everlight and Freescale. Main products comprise IC,Modules,Potentiometer,IC Socket,Relay,Connector.Our parts cover such applications as commercial,industrial, and automotives areas.

We are looking forward to setting up business relationship with you and hope to provide you with the best service and solution. Let us make a better world for our industry!



Contact us

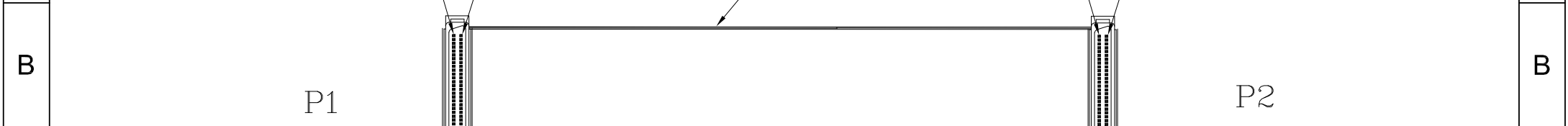
Tel: +86-755-8981 8866 Fax: +86-755-8427 6832

Email & Skype: info@chipsmall.com Web: www.chipsmall.com

Address: A1208, Overseas Decoration Building, #122 Zhenhua RD., Futian, Shenzhen, China



1 2 3 4 5 6 7




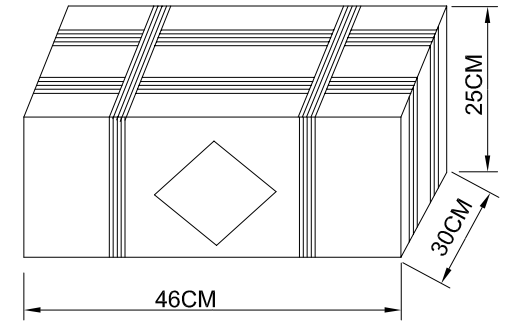
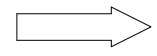
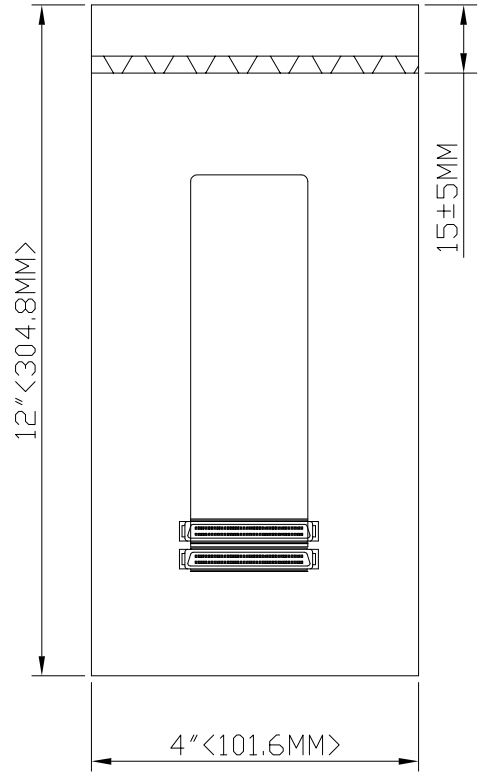
2	FMD-68PIN-M<BLACK><W/D-SR>	2	PCS
1	Flat cable,68C,GRAY,PITCH:0.635<30AWG,UL2678><STRAND>	0,45	M
NO	DESCRIPTION	QTY	UNIT

RoHS compliant
Unit: mm

Scale	Free					Date	Name	Customer-No.	
TOLERANCE						Drawn	19.01.2017	Amy	ASSMANN WSW-No. AK-Y2301
						Approved	19.01.2017	Amy	
DIM	TOL								Drawing-No.
									ASS 7837 CA
		©	Drawn	19.01.2017	Amy	ASSMANN WSW components		rev00	Sheet 1 / 2
Angle	TOL	Id.	Modification	Date	Name			Replace	

1 2 3 4 5 6 7

P1	PIN ASSIGNMENT		P2
1	_____	1	
2	_____	2	
3	_____	3	
			
66	_____	66	
67	_____	67	
68	_____	68	



Q'TY: 100 PCS
 CARTON: 46*30*25CM

PE BAG: 4"*12"*0.06MM
 1PCS/PE BAG

RoHS compliant
 Unit: mm

Scale	Free				Date	Name	Customer-No.
TOLERANCE					Drawn	19.01.2017	Amy
					Approved	19.01.2017	Amy
DIM	TOL						ASSMANN WSW-No. AK-Y2301
							Drawing-No. ASS 7837 CA
		©	Drawn	19.01.2017	Amy		rev00
Angle	TOL	Id.	Modification	Date	Name	Replace	Sheet 2 / 2

