



Chipsmall Limited consists of a professional team with an average of over 10 year of expertise in the distribution of electronic components. Based in Hongkong, we have already established firm and mutual-benefit business relationships with customers from,Europe,America and south Asia,supplying obsolete and hard-to-find components to meet their specific needs.

With the principle of “Quality Parts,Customers Priority,Honest Operation,and Considerate Service”,our business mainly focus on the distribution of electronic components. Line cards we deal with include Microchip,ALPS,ROHM,Xilinx,Pulse,ON,Everlight and Freescale. Main products comprise IC,Modules,Potentiometer,IC Socket,Relay,Connector.Our parts cover such applications as commercial,industrial, and automotives areas.

We are looking forward to setting up business relationship with you and hope to provide you with the best service and solution. Let us make a better world for our industry!



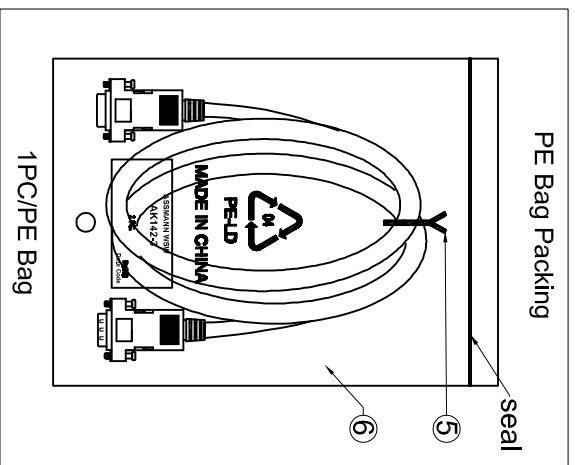
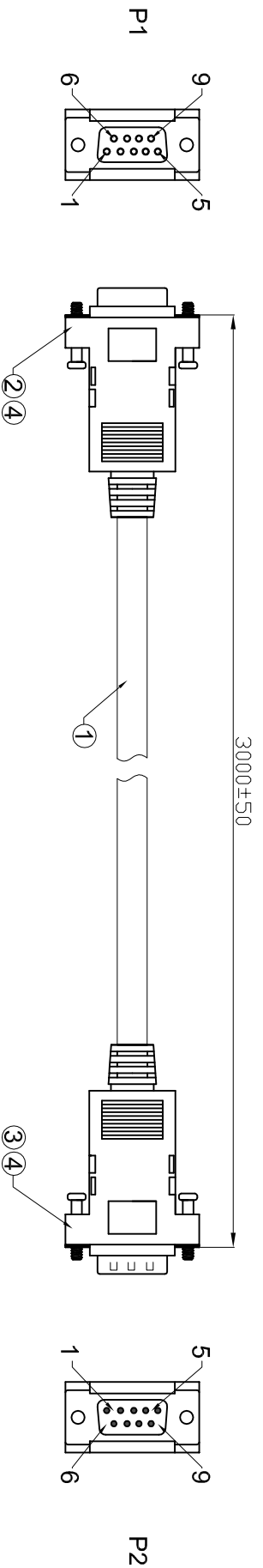
Contact us

Tel: +86-755-8981 8866 Fax: +86-755-8427 6832

Email & Skype: info@chipsmall.com Web: www.chipsmall.com

Address: A1208, Overseas Decoration Building, #122 Zhenhua RD., Futian, Shenzhen, China





PIN ASSIGNMENT	
P1	P2
1	4
2	3
3	2
4	1
5	5
7	8
8	7
9	9
Shell	Shell

- Electrical test:**
1. 100% short, open, miss wire test
 2. Conduct resistance: 2 Ohm max.
 3. Insulator resistance: 5Mohm min.
 4. Hi-Pot: 300V DC/10ms

NO.	NAME	Q'TY	SPECIFICATION
①	PE Bag	1pcs	Clear Print black "MADE IN CHINA"+"1PC"
②	Tie	1pcs	White tie
③	Tube	2pcs	Heat shrink tube black OD:Ø1.5"L:20mm
④	CONN	1set	DB 9Pin male,Pin:G/F Shell-Nickel Insulator color:Blue solder with assembly type
⑤	CONN	1set	DB 9Pin Female,Pin:G/F Shell-Nickel Insulator color:Blue solder with assembly type
⑥	Cable	1pcs	No UL 28AWG(7/0.12TCY)*8C+D+AL/MY/ar Jacket PVC, Beige(BG002) OD:5.0mm

RoHS compliant
Unit:mm

Scale	Free	Customer-No.
TOLERANCE		ASSMANN WSW-No. AK142-3
DIM	TOL	Drawing-No. ASS 7606 CA
Angle	TOL	Replace Sheet
Id.	Drawn	
Modification		
Date	05.04.2016	
Name	Amy	

ASSMANN
WSW components

AK142-3

ASS 7606 CA rev00

Sheet

1 2 3 4 5 6 7

A	1	2	3	4	5	6	7																												
B																																			
C																																			
D	<table border="1"> <thead> <tr> <th colspan="2">PIN ASSIGNMENT</th> </tr> </thead> <tbody> <tr> <td>P1</td> <td>P2</td> </tr> <tr> <td>1</td> <td>4</td> </tr> <tr> <td>2</td> <td>3</td> </tr> <tr> <td>3</td> <td>2</td> </tr> <tr> <td>4</td> <td>1</td> </tr> <tr> <td>5</td> <td>5</td> </tr> <tr> <td>7</td> <td>8</td> </tr> <tr> <td>8</td> <td>7</td> </tr> <tr> <td>9</td> <td>9</td> </tr> <tr> <td>Shell</td> <td>Shell</td> </tr> </tbody> </table>							PIN ASSIGNMENT		P1	P2	1	4	2	3	3	2	4	1	5	5	7	8	8	7	9	9	Shell	Shell						
PIN ASSIGNMENT																																			
P1	P2																																		
1	4																																		
2	3																																		
3	2																																		
4	1																																		
5	5																																		
7	8																																		
8	7																																		
9	9																																		
Shell	Shell																																		
E	<p>Electrical test:</p> <ol style="list-style-type: none"> 1. 100% short, open, miss wire test 2. Conduct resistance: 2 Ohm max. 3. Insulator resistance: 5Mohm min. 4. Hi-Pot: 300V DC/10ms 																																		
F	<table border="1"> <thead> <tr> <th>NO.</th> <th>NAME</th> <th>Q'TY</th> <th>SPECIFICATION</th> </tr> </thead> <tbody> <tr> <td>①</td> <td>PE Bag</td> <td>1pcs</td> <td>Clear Print black "MADE IN CHINA"+"1PC"</td> </tr> <tr> <td>②</td> <td>Tie</td> <td>1pcs</td> <td>White tie</td> </tr> <tr> <td>③</td> <td>Tube</td> <td>2pcs</td> <td>Heat shrink tube black OD:Ø1.5"L:20mm</td> </tr> <tr> <td>④</td> <td>CONN</td> <td>1set</td> <td>DB 9Pin male,Pin:G/F Shell-Nickel Insulator color:Blue solder with assembly type</td> </tr> <tr> <td>⑤</td> <td>CONN</td> <td>1set</td> <td>DB 9Pin Female,Pin:G/F Shell-Nickel Insulator color:Blue solder with assembly type</td> </tr> <tr> <td>⑥</td> <td>Cable</td> <td>1pcs</td> <td>No UL 28AWG(7/0.12TCY)*8C+D+AL/MY/ar Jacket PVC, Beige(BG002) OD:5.0mm</td> </tr> </tbody> </table>							NO.	NAME	Q'TY	SPECIFICATION	①	PE Bag	1pcs	Clear Print black "MADE IN CHINA"+"1PC"	②	Tie	1pcs	White tie	③	Tube	2pcs	Heat shrink tube black OD:Ø1.5"L:20mm	④	CONN	1set	DB 9Pin male,Pin:G/F Shell-Nickel Insulator color:Blue solder with assembly type	⑤	CONN	1set	DB 9Pin Female,Pin:G/F Shell-Nickel Insulator color:Blue solder with assembly type	⑥	Cable	1pcs	No UL 28AWG(7/0.12TCY)*8C+D+AL/MY/ar Jacket PVC, Beige(BG002) OD:5.0mm
NO.	NAME	Q'TY	SPECIFICATION																																
①	PE Bag	1pcs	Clear Print black "MADE IN CHINA"+"1PC"																																
②	Tie	1pcs	White tie																																
③	Tube	2pcs	Heat shrink tube black OD:Ø1.5"L:20mm																																
④	CONN	1set	DB 9Pin male,Pin:G/F Shell-Nickel Insulator color:Blue solder with assembly type																																
⑤	CONN	1set	DB 9Pin Female,Pin:G/F Shell-Nickel Insulator color:Blue solder with assembly type																																
⑥	Cable	1pcs	No UL 28AWG(7/0.12TCY)*8C+D+AL/MY/ar Jacket PVC, Beige(BG002) OD:5.0mm																																
G	<p>RoHS compliant Unit:mm</p> <table border="1"> <thead> <tr> <th>Scale</th> <th>Free</th> <th>Customer-No.</th> </tr> </thead> <tbody> <tr> <td>TOLERANCE</td> <td></td> <td>ASSMANN WSW-No. AK142-3</td> </tr> <tr> <td>DIM</td> <td>TOL</td> <td>Drawing-No. ASS 7606 CA</td> </tr> <tr> <td>Angle</td> <td>TOL</td> <td>Replace Sheet</td> </tr> <tr> <td>Id.</td> <td>Drawn</td> <td></td> </tr> <tr> <td>Modification</td> <td></td> <td></td> </tr> <tr> <td>Date</td> <td>05.04.2016</td> <td></td> </tr> <tr> <td>Name</td> <td>Amy</td> <td></td> </tr> </tbody> </table>							Scale	Free	Customer-No.	TOLERANCE		ASSMANN WSW-No. AK142-3	DIM	TOL	Drawing-No. ASS 7606 CA	Angle	TOL	Replace Sheet	Id.	Drawn		Modification			Date	05.04.2016		Name	Amy					
Scale	Free	Customer-No.																																	
TOLERANCE		ASSMANN WSW-No. AK142-3																																	
DIM	TOL	Drawing-No. ASS 7606 CA																																	
Angle	TOL	Replace Sheet																																	
Id.	Drawn																																		
Modification																																			
Date	05.04.2016																																		
Name	Amy																																		
H	<table border="1"> <thead> <tr> <th>Scale</th> <th>Free</th> <th>Customer-No.</th> </tr> </thead> <tbody> <tr> <td>TOLERANCE</td> <td></td> <td>ASSMANN WSW-No. AK142-3</td> </tr> <tr> <td>DIM</td> <td>TOL</td> <td>Drawing-No. ASS 7606 CA</td> </tr> <tr> <td>Angle</td> <td>TOL</td> <td>Replace Sheet</td> </tr> <tr> <td>Id.</td> <td>Drawn</td> <td></td> </tr> <tr> <td>Modification</td> <td></td> <td></td> </tr> <tr> <td>Date</td> <td>05.04.2016</td> <td></td> </tr> <tr> <td>Name</td> <td>Amy</td> <td></td> </tr> </tbody> </table>							Scale	Free	Customer-No.	TOLERANCE		ASSMANN WSW-No. AK142-3	DIM	TOL	Drawing-No. ASS 7606 CA	Angle	TOL	Replace Sheet	Id.	Drawn		Modification			Date	05.04.2016		Name	Amy					
Scale	Free	Customer-No.																																	
TOLERANCE		ASSMANN WSW-No. AK142-3																																	
DIM	TOL	Drawing-No. ASS 7606 CA																																	
Angle	TOL	Replace Sheet																																	
Id.	Drawn																																		
Modification																																			
Date	05.04.2016																																		
Name	Amy																																		