



Chipsmall Limited consists of a professional team with an average of over 10 year of expertise in the distribution of electronic components. Based in Hongkong, we have already established firm and mutual-benefit business relationships with customers from,Europe,America and south Asia,supplying obsolete and hard-to-find components to meet their specific needs.

With the principle of “Quality Parts,Customers Priority,Honest Operation,and Considerate Service”,our business mainly focus on the distribution of electronic components. Line cards we deal with include Microchip,ALPS,ROHM,Xilinx,Pulse,ON,Everlight and Freescale. Main products comprise IC,Modules,Potentiometer,IC Socket,Relay,Connector.Our parts cover such applications as commercial,industrial, and automotives areas.

We are looking forward to setting up business relationship with you and hope to provide you with the best service and solution. Let us make a better world for our industry!



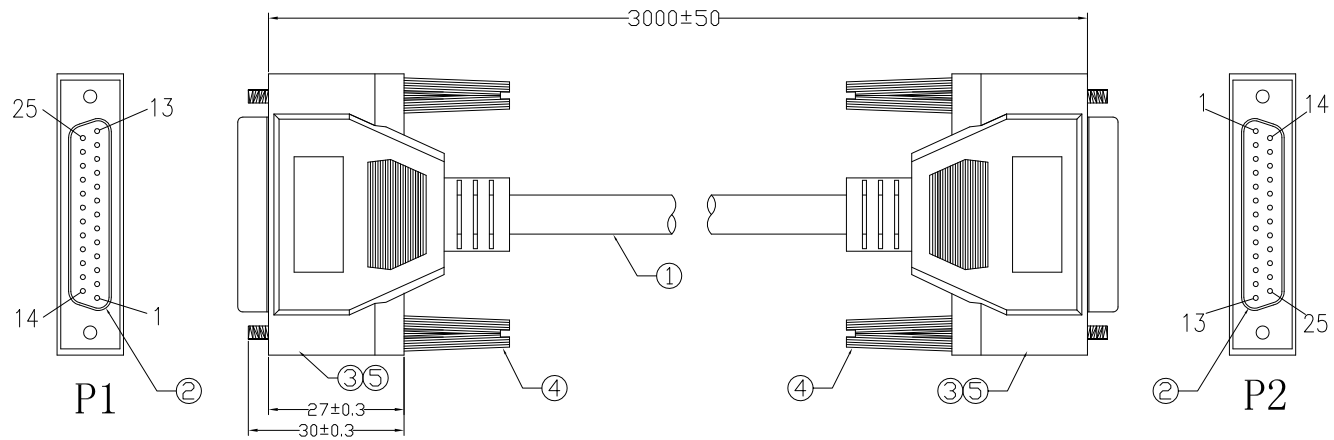
## Contact us

Tel: +86-755-8981 8866 Fax: +86-755-8427 6832

Email & Skype: info@chipsmall.com Web: www.chipsmall.com

Address: A1208, Overseas Decoration Building, #122 Zhenhua RD., Futian, Shenzhen, China

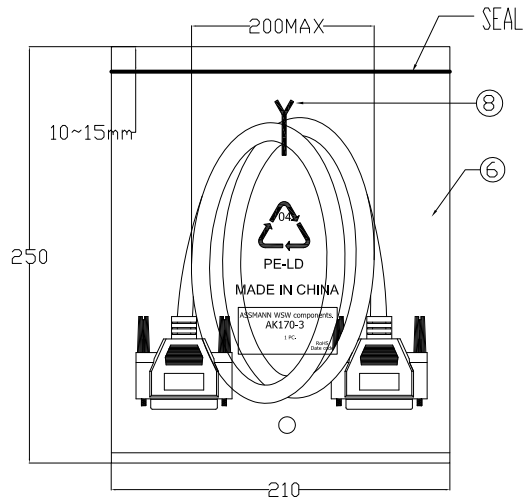




① PIN ASSIGNMENT


P1	P2
1	1
2	2
3	3
4	4
5	5
6	6
7	7
8	8
9	9
10	10
11	11
12	12
13	13
14	14
15	15
16	16
17	17
18	18
19	19
20	20
21	21
22	22
23	23
24	24
25	25
SHELL	SHELL

**Electrical test:**  
 1.100% short,open,miswire test  
 2.Conduct resistance: 5 ohm(max)  
 3.Insulation resistance: 5 Mohm(min)  
 4.dielectric test:DC 300V/10ms



NO.	NAME	Q'TY	SPECIFICATION
⑧	TIE	1	WHITE L=120mm
⑦	PE BAG	1/5	CLEAR SIZE: 360*380*0.05mm PRINT BLACK"MADE IN CHINA"+"5PCS"
⑥	PE BAG	1	CLEAR SIZE:210*250*0.05mm PRINT BLACK"MADE IN CHINA"+"1PC"
⑤	TUBE	2	HEAT SHRINK TUBE BLACK OD1.5*20MM
④	SCREW	4	#4-40UNC TYPE L=30mm,NICKEL PLATED,MOLD:BEIGE(IV-29) ABS
③	IN JACKET	18g	CLEAR LD-PE (Mould NO.:NM-33)
	OUT JACKET	60g	BEIGE(IV-29) 40P PVC(Mould NO.WM-017)
②	CONN	2	DB 25P FEMALE SODER TYPE PIN G/F SHELL NI-PLATED INSULATOR COLOR:BLUE
①	CABLE	1	NOUL 28AWG(7/0.12)*25C+D+AL/MY OD7.5mm JACKET BEIGE(IV-29) L=3000±15MM

**RoHS compliant**  
Unit: mm

Scale	Free					Date	Name	Customer-No.
TOLERANCE						Drawn	20.02.2017	Amy
						Approved	04.09.2017	Fred
DIM	TOL	①	Delete the wire color for pin assignment	04.09.2017	Fred	<div style="text-align: center;">  </div>		
		②	Drawn	20.02.2017	Amy			
Angle	TOL	Id.	Modification	Date	Name	Replace		Sheet

ASSMANN WSW-No.		AK170-3	
Drawing-No.		ASS 7872 CA	
rev01		Sheet	