



Chipsmall Limited consists of a professional team with an average of over 10 year of expertise in the distribution of electronic components. Based in Hongkong, we have already established firm and mutual-benefit business relationships with customers from,Europe,America and south Asia,supplying obsolete and hard-to-find components to meet their specific needs.

With the principle of “Quality Parts,Customers Priority,Honest Operation,and Considerate Service”,our business mainly focus on the distribution of electronic components. Line cards we deal with include Microchip,ALPS,ROHM,Xilinx,Pulse,ON,Everlight and Freescale. Main products comprise IC,Modules,Potentiometer,IC Socket,Relay,Connector.Our parts cover such applications as commercial,industrial, and automotives areas.

We are looking forward to setting up business relationship with you and hope to provide you with the best service and solution. Let us make a better world for our industry!



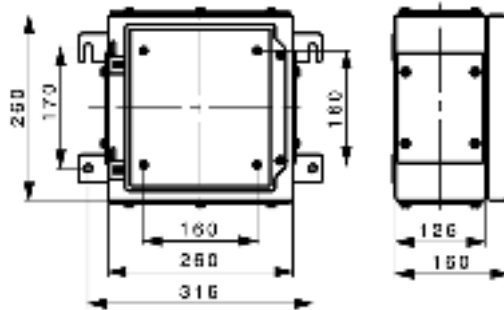
Contact us

Tel: +86-755-8981 8866 Fax: +86-755-8427 6832

Email & Skype: info@chipsmall.com Web: www.chipsmall.com

Address: A1208, Overseas Decoration Building, #122 Zhenhua RD., Futian, Shenzhen, China





General ordering data

Order No.	9507740000
Part designation	NexT 26/26/16 2gp 7032
Version	Ex enclosure, 160 mm, 260 mm, 260 mm, Sheet steel 1.5 mm (16 SWG)
EAN	4008190480325
Qty.	1 pc(s).

Dimensions

Fixing dimension, height	170 mm
Fixing dimension, width	316 mm
Height	160 mm
Length	260 mm
Width	260 mm

General details

Cover fixing	Removable cover + M6 screws
Enclosure fixing	Outside mounting with 10 mm holes
Integral fixing	4 x 10 mm spacers
Sealing material	Chloroprene (cover & flange)
Version cover	closed
Colour	RAL 7032 - pebble grey
Surface finish	RAL 7032, textured
Class of protection to EN 60529	IP 66
Weight	5,500 g
Ambient temperature, min.	-40 °C
Ambient temperature, max.	85 °C

Screwed cable glands top/bottom

M 12	38
M 16	24
M 20	14
M 25	6
M 32	4
M 40	3

Screwed cable glands top/bottom

M 50	2
Side of enclosure	Top / Bottom

Screwed cable glands, left/right

M12	18
M16	12
M20	6
M25	2
M32	2
M40	2
M50	1
On housing side	left / right

Approvals

Approvals institutes



Classifications

ETIM 2.0	EC000049
ETIM 3.0	EC000049
eClass 4.1	27-14-12-06
eClass 5.0	27-18-05-02
eClass 5.1	27-18-05-02

Similar products

Order No.	Part designation	Version
9523590000	NexT 26/26/16 0gp 7032	Ex enclosure, 160 mm, 260 mm, 260 mm, Sheet steel 1.5 mm (16 SWG)
9523450000	NexT 26/26/16 0gp ss	Ex enclosure, 160 mm, 260 mm, 260 mm, Stainless steel 1.4404
9522890000	NexT 26/26/16 1gp 7032	Ex enclosure, 160 mm, 260 mm, 260 mm, Sheet steel 1.5 mm (16 SWG)
9522610000	NexT 26/26/16 1gp ss	Ex enclosure, 160 mm, 260 mm, 260 mm, Stainless steel 1.4404
9508550000	NexT 26/26/16 2gp ss	Ex enclosure, 160 mm, 260 mm, 260 mm, Stainless steel 1.4404
9523030000	NexT 26/26/16 3gp 7032	Ex enclosure, 160 mm, 260 mm, 260 mm, Sheet steel 1.5 mm (16 SWG)
9522750000	NexT 26/26/16 3gp ss	Ex enclosure, 160 mm, 260 mm, 260 mm, Stainless steel 1.4404
9507810000	NexT 26/26/16 4gp 7032	Ex enclosure, 160 mm, 260 mm, 260 mm, Sheet steel 1.5 mm (16 SWG)
9508620000	NexT 26/26/16 4gp ss	Ex enclosure, 160 mm, 260 mm, 260 mm, Stainless steel 1.4404