



Chipsmall Limited consists of a professional team with an average of over 10 year of expertise in the distribution of electronic components. Based in Hongkong, we have already established firm and mutual-benefit business relationships with customers from,Europe,America and south Asia,supplying obsolete and hard-to-find components to meet their specific needs.

With the principle of "Quality Parts,Customers Priority,Honest Operation,and Considerate Service",our business mainly focus on the distribution of electronic components. Line cards we deal with include Microchip,ALPS,ROHM,Xilinx,Pulse,ON,Everlight and Freescale. Main products comprise IC,Modules,Potentiometer,IC Socket,Relay,Connector.Our parts cover such applications as commercial,industrial, and automotives areas.

We are looking forward to setting up business relationship with you and hope to provide you with the best service and solution. Let us make a better world for our industry!



## Contact us

Tel: +86-755-8981 8866 Fax: +86-755-8427 6832

Email & Skype: info@chipsmall.com Web: www.chipsmall.com

Address: A1208, Overseas Decoration Building, #122 Zhenhua RD., Futian, Shenzhen, China



1

2

3

4

5

6

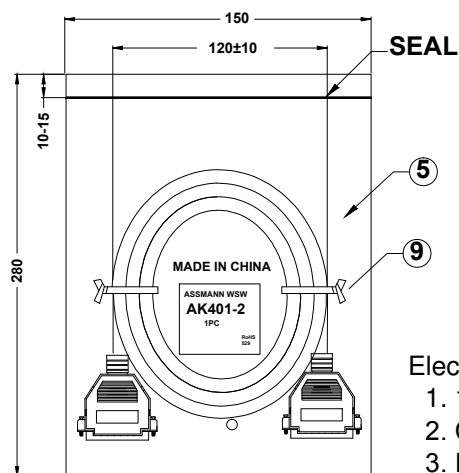
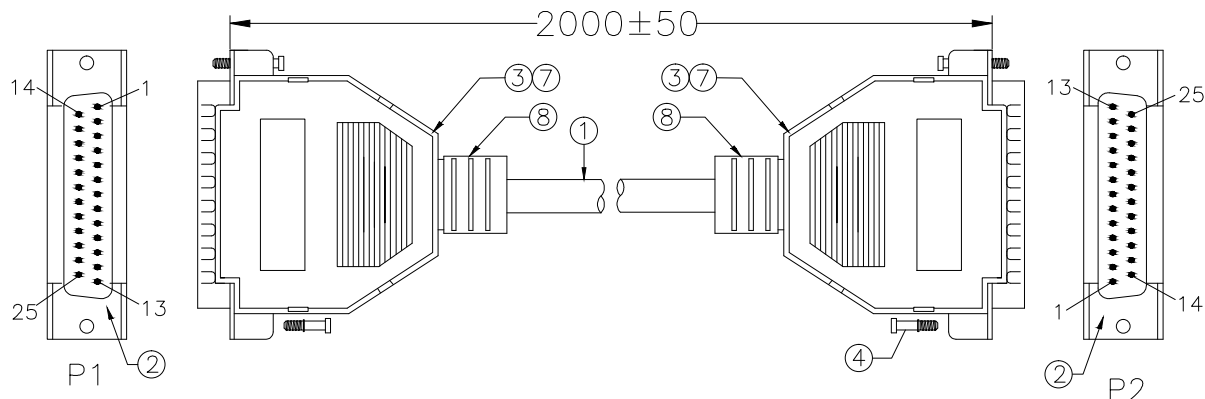
7

A

A

## PIN ASSIGNMENT

P1		P2
1	black	1
2	brown	2
3	red	3
4	orange	4
5	yellow	5
6	green	6
7	blue	7
8	purple	8
9	gray	9
10	white	9
11	pink	10
12	light/green	11
13	red/black	12
14	orange/black	14
15	yellow/black	15
16	green/black	16
17	blue/black	17
18	purple/black	18
19	white/black	19
20	red/white	20
21	orange/white	21
22	green/white	22
23	blue/white	23
24	purple/white	23
25	brown/white	24
	drain	25
SHELL		SHELL



## Electrical test:

- 100% short ,open,miswire test
- Conduct resistance: 2Ω max.
- Insulation resistance: 5MΩ min.
- Hi-Pot: 300V DC

No.	NAME	QTY	DESCRIPTION
⑨	TIE	2	WHITE L=100MM
⑧	S/R	5.5g	BEIGE 45P PVC
⑦	TUBE	2	HEAT SHRINK TUBE BLACK OD 1.5MM
⑥	PE BAG	1/10	CLEAR SIZE: 360*380*0.05mm, PRINT BLACK"MADE IN CHINA"+"10PC"
⑤	PE BAG	1	CLEAR SIZE: 150*280*0.05mm, PRINT BLACK"MADE IN CHINA"+"1PC"
④	SCREW	4	SCREW:#4-40UNC L12.5mm,nickel plated
③	DKN	2	DB25P DKN W/O NUT BEIGE
②	CONN	2	DB 25PIN MALE PIN G/F SHELL-NIKEL SOLDER TYPE INSULATION COLOR BLUE
①	CABLE	1	NOUL 28AWG*25C+D+AL/MY,BEIGE,OD6.5mm

D

D

E

E

F

F

G

G

H

H

RoHS compliant

Unit: mm

Scale	FREE				Date	Name	Customer-No.
TOLERANCE					Drawn	17.11.2014	Joanna
					Approved	17.11.2014	Joanna
DIM	TOL						
		①	Drawn	17.11.2014	Joanna		
Angle	TOL	ld.	Modification	Date	Name		

**ASSMANN**  
WSW components

Customer-No.		
ASSMANN WSW-No.		AK401-2
Drawing-No.		ASS 7239 CA rev00
Replace		Sheet

1

2

3

4

5

6

7