



Chipsmall Limited consists of a professional team with an average of over 10 year of expertise in the distribution of electronic components. Based in Hongkong, we have already established firm and mutual-benefit business relationships with customers from,Europe,America and south Asia,supplying obsolete and hard-to-find components to meet their specific needs.

With the principle of "Quality Parts,Customers Priority,Honest Operation,and Considerate Service",our business mainly focus on the distribution of electronic components. Line cards we deal with include Microchip,ALPS,ROHM,Xilinx,Pulse,ON,Everlight and Freescale. Main products comprise IC,Modules,Potentiometer,IC Socket,Relay,Connector.Our parts cover such applications as commercial,industrial, and automotives areas.

We are looking forward to setting up business relationship with you and hope to provide you with the best service and solution. Let us make a better world for our industry!



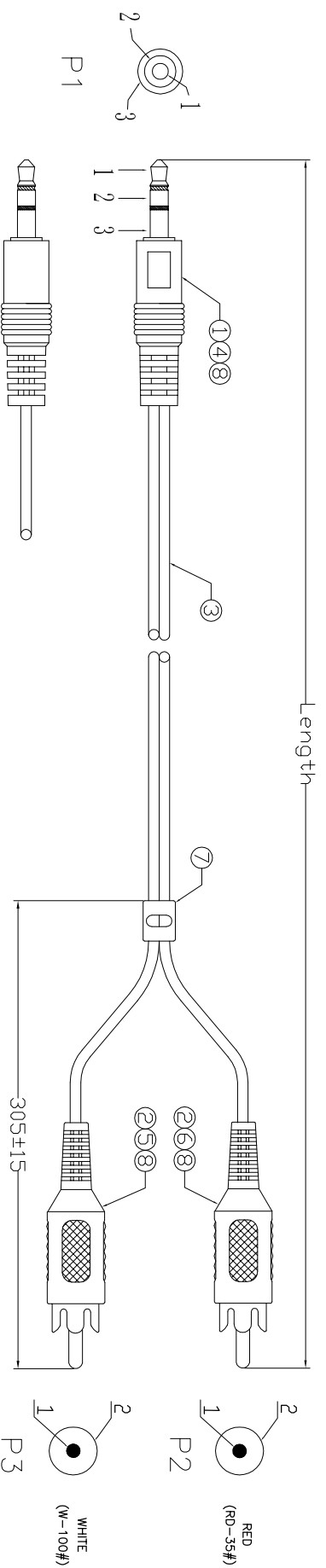
Contact us

Tel: +86-755-8981 8866 Fax: +86-755-8427 6832

Email & Skype: info@chipsmall.com Web: www.chipsmall.com

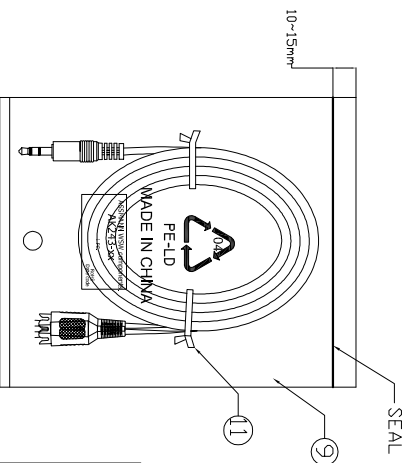
Address: A1208, Overseas Decoration Building, #122 Zhenhua RD., Futian, Shenzhen, China





WSW P/N	Length	⑨ PE BAG	⑩ PE BAG
AK243-2	2000±30	130*230*0.05mm	280*330*0.05mm
AK243-10	10000±100	210*250*0.05mm	360*380*0.05mm
AK243-015	1500±50	130*230*0.05mm	280*330*0.05mm
AK243-025	2500±50	130*230*0.05mm	280*330*0.05mm
AK243-050	5000±50	150*280*0.05mm	280*330*0.05mm

- Electrical test:
- 1.100% short, open, miswire test
 2. Conduct resistance: 5 Ohm(max)
 3. Insulation resistance: 5Mohm(min)
 4. dielectric test: DC 300V



PIN ASSIGNMENT:

P1	P2	P3	COLOR
1	1	1	RED
2	1	1	WHITE
3	2	2	DRAIN(RED)
			DRAIN(WHITE)

NO.	NAME	QTY	SPECIFICATION
①	CONN	1	3.55T MALE Tray6.0mm L=26mm MOLD TYPE NI-PLATED INSULATOR COLOR:BLACK
②	CONN	2	RCA PLUG MALE BLOSSOM TYPE NI-PLATED INSULATOR COLOR:BROWN
③	CABLE	1	NOUL [(10/0.10)+S(28/0.10)]*2F JACKET BLACK ODD2.8*5.6mm
④	OUT JACKET	3.0g	BLACK PVC-40P (Mould NO.:WM-020)
⑤	OUT JACKET	3.3g	PVC-40P RED(RD-35). (Mould NO.WM-009)
⑥	IN JACKET	0.8g	CLEAR LD-PE (Mould NO.:NM-006)
⑦	S/R	1.5g	BLACK PVC 40P (Mould NO.:SR-048)
⑧	TUBE	3	HEAT SHRINK TUBE BLACK OD1.5*10mm
⑨	PE BAG	1/10	CLEAR PRINT BLACK*MADE IN CHINA*"*10PCS"
⑩	PE BAG	1/10	CLEAR PRINT BLACK*MADE IN CHINA*"*10PCS"
⑪	TIE	2	BLACK

RoHS compliant
Unit: mm

Scale	Free	Date	Name	Customer-No.
TOLERANCE		Drawn	Amy	ASSMANN WSW-No.
		Approved	Amy	AK243-XX
DIM	TOL			Drawing-No.
				ASS 7856 CA
Angle	TOL			Replace
				rev00
Id.	⑩ Drawn	20.02.2017	Amy	Sheet
Modification				

ASSMANN
WSW components

1 2 3 4 5 6 7

A B C D E F G H