



Chipsmall Limited consists of a professional team with an average of over 10 year of expertise in the distribution of electronic components. Based in Hongkong, we have already established firm and mutual-benefit business relationships with customers from,Europe,America and south Asia,supplying obsolete and hard-to-find components to meet their specific needs.

With the principle of “Quality Parts,Customers Priority,Honest Operation,and Considerate Service”,our business mainly focus on the distribution of electronic components. Line cards we deal with include Microchip,ALPS,ROHM,Xilinx,Pulse,ON,Everlight and Freescale. Main products comprise IC,Modules,Potentiometer,IC Socket,Relay,Connector.Our parts cover such applications as commercial,industrial, and automotives areas.

We are looking forward to setting up business relationship with you and hope to provide you with the best service and solution. Let us make a better world for our industry!



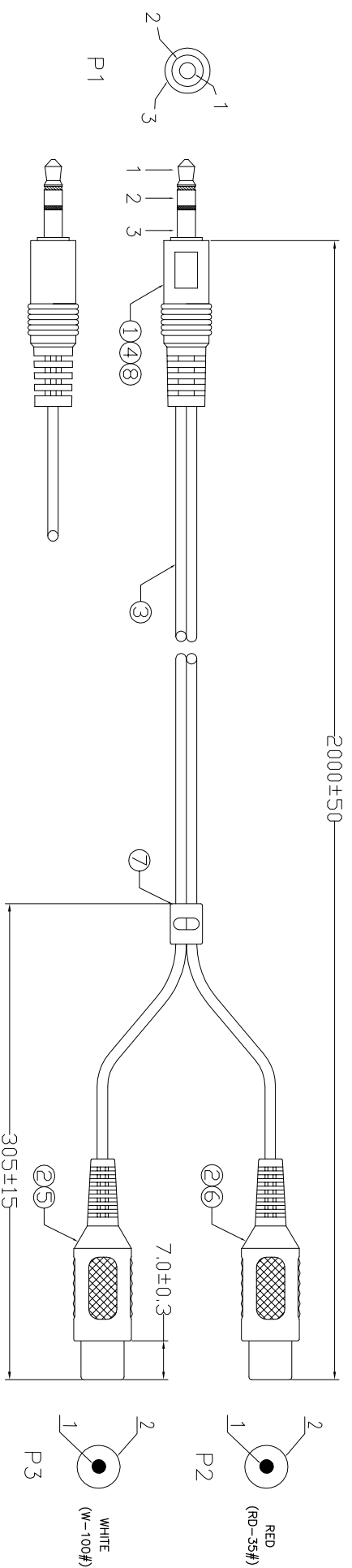
## Contact us

Tel: +86-755-8981 8866 Fax: +86-755-8427 6832

Email & Skype: info@chipsmall.com Web: www.chipsmall.com

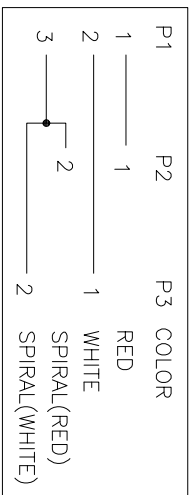
Address: A1208, Overseas Decoration Building, #122 Zhenhua RD., Futian, Shenzhen, China



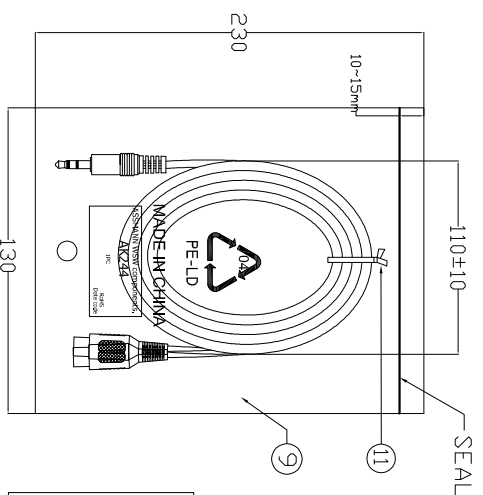


- Electrical test:**
- 1.100% short, open, miss wire test
  2. Conduct resistance: 2 Ohm(max)
  3. Insulation resistance: 5 Mohm(min)
  4. Dielectric test: DC 300V/10ms

**PIN ASSIGNMENT:**



NO.	TIE	QTY	NAME	SPECIFICATION
①	TIE	1	BLACK L=80mm	
⑩	PE BAG	1/10	CLEAR SIZE: 280*330*0.05mm PRINT BLACK/MADE IN CHINA "*"10PCS"	
⑨	PE BAG	1	CLEAR SIZE: 130*230*0.05mm PRINT BLACK/MADE IN CHINA."	
⑧	TUBE	1	HEAT SHRINK TUBE BLACK OD1.5*1.10mm.	
⑦	S/R	1.5g	BLACK PVC 40P (Mould NO.:SR-048)	
⑥	OUT JACKET	3.3g	PVC-40P RED(RD-35).(Mould NO. WM-H42)	
⑤	OUT JACKET	3.3g	PVC-40P WHITE(W-100)(Mould NO. WM-H42)	
④	OUT JACKET	3.0g	BLACK PVC-40P (Mould NO.: WM-020)	
③	CABLE	1	NOUL 28#(10/0.10+28/0.10)*2F JACKET BLACK OD2.8*5.6mm L=2000±10MM	
②	CONN	2	RCA PLUG FEMALE N-PLATED INSULATOR COLOR: BROWN	
①	CONN	1	3.5ST MALE N-PLATED Tray: 6.0mm L=26mm MOLD TYPE N-PLATED INSULATOR COLOR: BLACK	



**ROHS compliant**  
Unit: mm

Scale	Free	Date	Name	Customer-No.
TOLERANCE		Drawn	20.02.2017	Amy
		Approved	20.02.2017	Amy
DIM	TOL			
Angle	TOL			
		① Drawn	20.02.2017	Amy
		Modification		
		Date		
		Name		

**ASSMANN**  
wsw components

ASS 7889 CA rev00

AK2244

1

2

3

4

5

6

7

H

G

F

E

D

C

B

A

H

G

F

E

D

C

B

A

Sheet