



Chipsmall Limited consists of a professional team with an average of over 10 year of expertise in the distribution of electronic components. Based in Hongkong, we have already established firm and mutual-benefit business relationships with customers from,Europe,America and south Asia,supplying obsolete and hard-to-find components to meet their specific needs.

With the principle of “Quality Parts,Customers Priority,Honest Operation,and Considerate Service”,our business mainly focus on the distribution of electronic components. Line cards we deal with include Microchip,ALPS,ROHM,Xilinx,Pulse,ON,Everlight and Freescale. Main products comprise IC,Modules,Potentiometer,IC Socket,Relay,Connector.Our parts cover such applications as commercial,industrial, and automotives areas.

We are looking forward to setting up business relationship with you and hope to provide you with the best service and solution. Let us make a better world for our industry!



Contact us

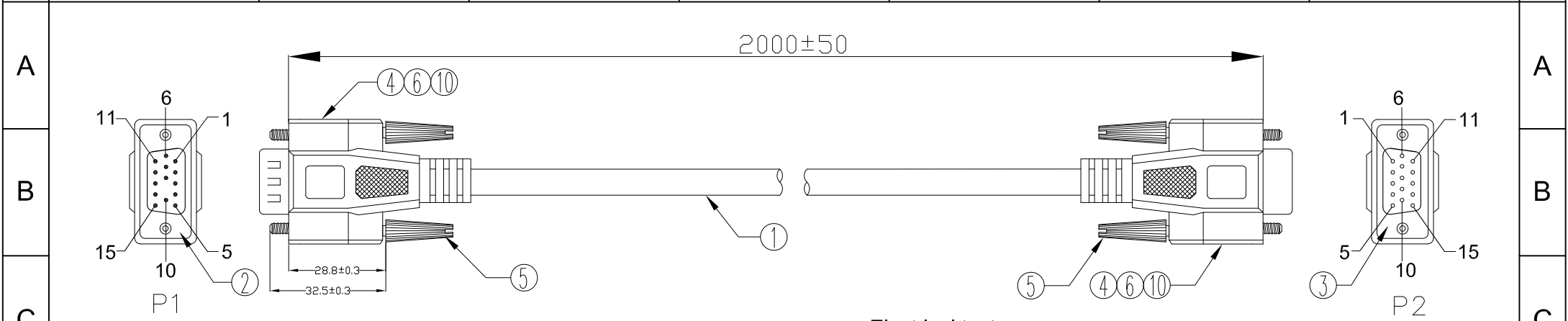
Tel: +86-755-8981 8866 Fax: +86-755-8427 6832

Email & Skype: info@chipsmall.com Web: www.chipsmall.com

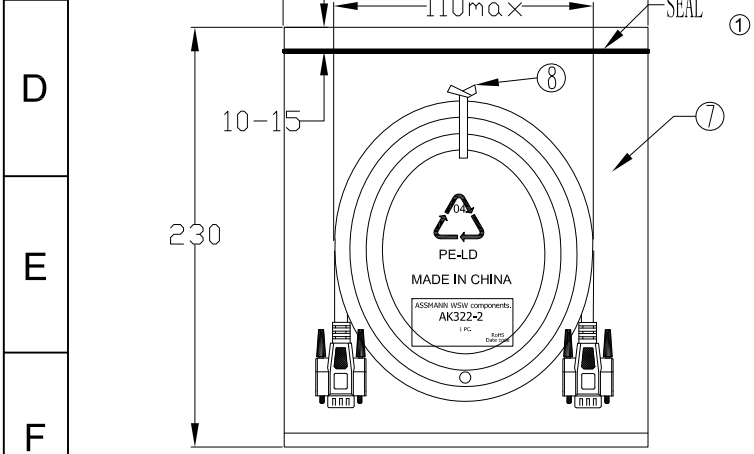
Address: A1208, Overseas Decoration Building, #122 Zhenhua RD., Futian, Shenzhen, China



1 2 3 4 5 6 7



Electrical test:
 1.100% short,open,miss wire test
 2.Conduct resistance:3 Ohm(max)
 3.Insulation resistance:5 Mohm(min)
 4.Dielectric test:DC 300V/10ms



PIN ASSIGNMENT	
P1	P2
1	1
2	2
3	3
4	4
5	5
6	6
7	7
8	8
10	10
11	11
12	12
13	13
14	14
15	15
Shell	Shell

NO.	NAME	Q'TY	SPECIFICATION
⑩	TUBE	2	HEAT SHRINK TUBE BLACK OD1.5*L=15MM
⑨	PE BAG	1/10	CLEAR SIZE:280*330*0.05mm PRINT BLACK"MADE IN CHINA"+"10PCS"
⑧	TIE	1	WHITE L=120mm
⑦	PE BAG	1	CLEAR SIZE:130*230*0.05mm PRINT BLACK"MADE IN CHINA"+"1PC"
⑥	COPPER FOIL	2	DOUBLE-SIDED CONDUCTIVE COPPER FOIL 18U" W25mm*L55mm
⑤	SCREW	4	SCREW:#4-40UNC L47mm,NICKEL PLATED,INSULATION COLOR BEIGE(IV-29)
④	OUT JACKET	43.5g	BEIGE(IV-29) 40P PVC(MOULD NO:WM-113)
	IN JACKET	8g	CLEAR LDPE(MOULD NO:NM-049)
③	CONN	1	HDD15P FEMALE,PIN G/F.SHELL-NICKEL,INSULATION COLOR:BLUE. SOLDER TYPE.
②	CONN	1	HDD15P MALE,PIN G/F.SHELL-NICKEL,INSULATION COLOR:BLUE. MISSING 9PIN SOLDER TYPE.
①	CABLE	1	NOUL 28AWG(7/0.12TC)*14C+AL/MY+D.W(7/0.12 TC) OUTTER JACKET COROL:BEIGE(IV-29) OD:6.0±0.15mm. L=2000±20mm.

1PCS/PE BAG

G	RoHS compliant Unit: mm	Scale	Free					Date	Name	Customer-No.	
		TOLERANCE					Drawn	20.02.2017	Amy		
H		DIM	TOL	①	Delete the wire color for pin assignment	04.09.2017	Fred	Approved	04.09.2017	Fred	ASSMANN WSW-No.
				②	Drawn	20.02.2017	Amy				AK322-2
		Angle	TOL	Id.	Modification	Date	Name				Drawing-No.
											ASS 7878 CA
											rev01
											Sheet



1 2 3 4 5 6 7