



Chipsmall Limited consists of a professional team with an average of over 10 year of expertise in the distribution of electronic components. Based in Hongkong, we have already established firm and mutual-benefit business relationships with customers from,Europe,America and south Asia,supplying obsolete and hard-to-find components to meet their specific needs.

With the principle of “Quality Parts,Customers Priority,Honest Operation,and Considerate Service”,our business mainly focus on the distribution of electronic components. Line cards we deal with include Microchip,ALPS,ROHM,Xilinx,Pulse,ON,Everlight and Freescale. Main products comprise IC,Modules,Potentiometer,IC Socket,Relay,Connector.Our parts cover such applications as commercial,industrial, and automotives areas.

We are looking forward to setting up business relationship with you and hope to provide you with the best service and solution. Let us make a better world for our industry!



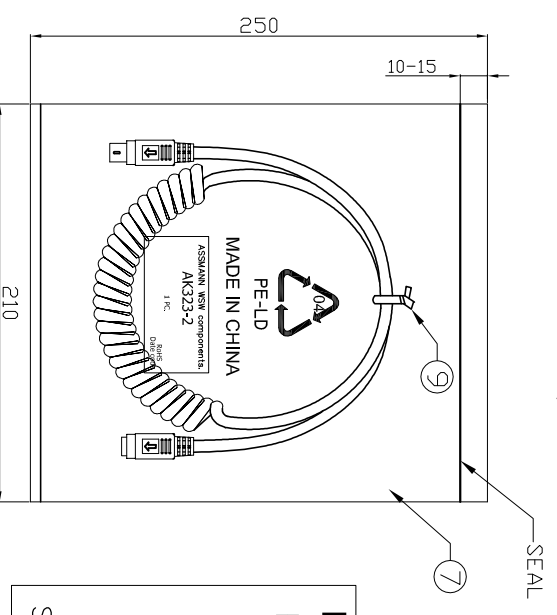
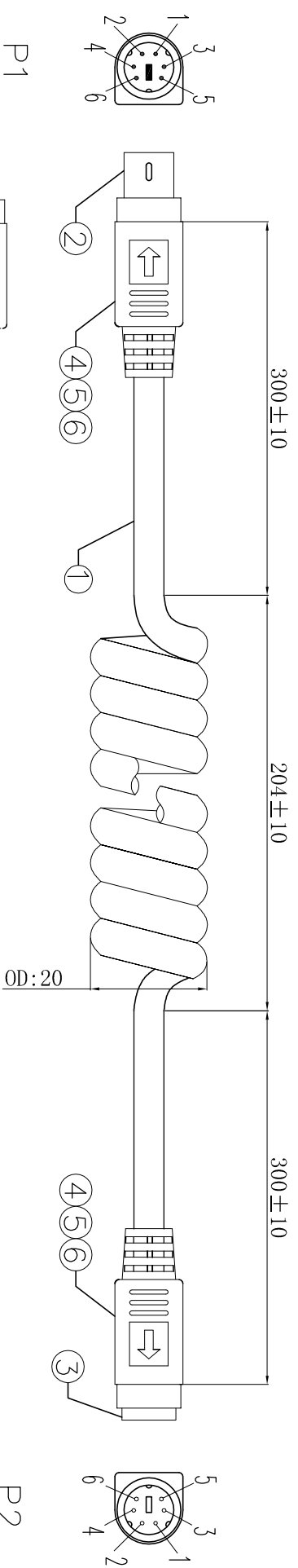
Contact us

Tel: +86-755-8981 8866 Fax: +86-755-8427 6832

Email & Skype: info@chipsmall.com Web: www.chipsmall.com

Address: A1208, Overseas Decoration Building, #122 Zhenhua RD., Futian, Shenzhen, China





PIN ASSIGNMENT

P1	P2
1 BLACK	1
2 BROWN	2
3 RED	3
4 ORANGE	4
5 YELLOW	5
6 GREEN	6
SHELL SHIELD	SHELL

No.	TIE	QTY	NAME	DATE	NAME
①	TIE	1	WHITE L=80mm		
②	PE BAG	1/10	CLEAR SIZE: 360*380*0.05mm PRINT BLACK"MADE IN CHINA"+"10PCS"	20.02.2017	Amy
③	PE BAG	1	CLEAR SIZE: 210*250*0.05mm PRINT BLACK"MADE IN CHINA"+"1PC"	20.02.2017	Amy
④	TUBE	2	HEAT SHRINK TUBE BLACK OD1.5*8MM		
⑤	IN JACKET	5.2g	CLEAR LD-PE (Mould NO.:NM-65)		
⑥	OUT JACKET	8.1g	PVC 40P COLOR:BEIGE(V-29)(Mould NO.WM-149)		
⑦	CONN	1	MINI DIN 6PIN FEMALE SOLDER TYPE PIN-NI INSULATOR COLOR:BLACK		
⑧	CONN	1	MINI DIN 6PIN MALE SOLDER TYPE PIN-NI INSULATOR COLOR:BLACK		
⑨	CABLE	1	NOUL 28AWG*6C+1+AL/MTY JACKET:BEIGE(V-29) OD5.4mm L=2150±10MM		

- Electrical test:**
- 1.100% short,open,miss wire test
 - 2.Conduct resistance:5 Ohm(max)
 - 3.Insulation resistance:5Mohm(min)
 - 4.dielectric test:DC 300V

ROHS compliant
Unit: mm

Scale	Free	Date	Name	Customer-No.
TOLERANCE		20.02.2017	Amy	ASSMANN WSW-No.
		20.02.2017	Amy	AK323-2
DIM	TOL			Drawing-No.
				ASS 7869 CA
Angle	TOL			Replace
				Sheet
Id.	Modification			
①	Drawn	20.02.2017	Amy	

ASSMANN
WSW components

1	2	3	4	5	6	7
A	B	C	D	E	F	G
H	G	F	E	D	C	B
1	2	3	4	5	6	7