



Chipsmall Limited consists of a professional team with an average of over 10 year of expertise in the distribution of electronic components. Based in Hongkong, we have already established firm and mutual-benefit business relationships with customers from,Europe,America and south Asia,supplying obsolete and hard-to-find components to meet their specific needs.

With the principle of “Quality Parts,Customers Priority,Honest Operation,and Considerate Service”,our business mainly focus on the distribution of electronic components. Line cards we deal with include Microchip,ALPS,ROHM,Xilinx,Pulse,ON,Everlight and Freescale. Main products comprise IC,Modules,Potentiometer,IC Socket,Relay,Connector.Our parts cover such applications as commercial,industrial, and automotives areas.

We are looking forward to setting up business relationship with you and hope to provide you with the best service and solution. Let us make a better world for our industry!



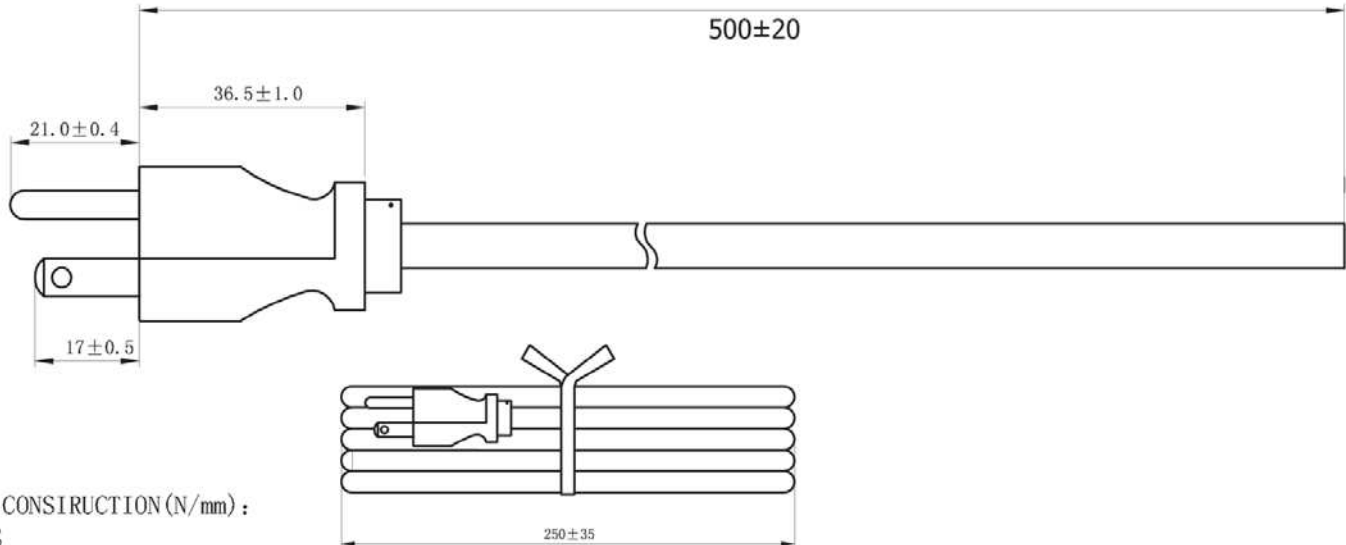
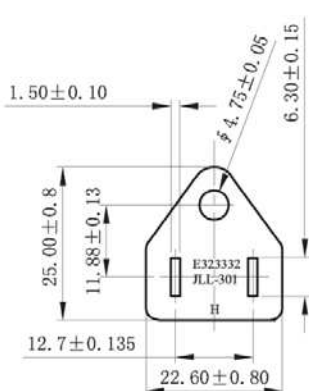
## Contact us

Tel: +86-755-8981 8866 Fax: +86-755-8427 6832

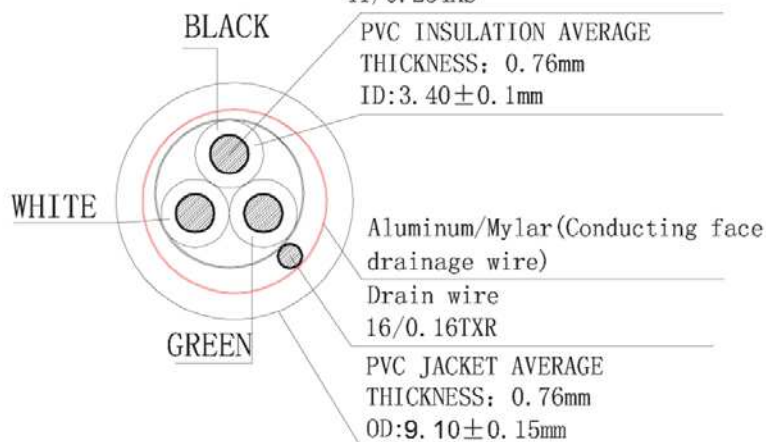
Email & Skype: info@chipsmall.com Web: www.chipsmall.com

Address: A1208, Overseas Decoration Building, #122 Zhenhua RD., Futian, Shenzhen, China





CONDUCTOR CONSTRUCTION (N/mm):  
41/0.254AS



PVC INSULATION AVERAGE THICKNESS: 0.76mm  
ID: 3.40±0.1mm

Aluminum/Mylar (Conducting face drainage wire)  
Drain wire 16/0.16TXR  
PVC JACKET AVERAGE THICKNESS: 0.76mm  
OD: 9.10±0.15mm

**Material:**

- E243929(UL) SJT 3 x 16AWG(1.31MM<sup>2</sup>) VW-1 Shielded, 60°C 300V  
- CSA 228191 SJT 3 x 16AWG(1.31MM<sup>2</sup>) FT2 Shielded 60°C 300V -LF-
- Jacket Color: Black
- E- Green; L - Black; N - White

**Electrical:**

- 100% Open & Short Testing
- Insulation Resistance: 100MΩ (Min.)
- Voltage: 500V DC / 1 Min.

Unit: MM

Scale	1:1						Name	Item No.
TOLERANCE					Drawn	12.27.11	Chappell	<b>AK500/16-OE-5-0.5</b>
X.X	±0.40				Approved			<b>Title</b> Power Cord - SJT, 60°C, Shielded, Open End, 16AWG, .05 Meter
X.XX	±0.25							Drawing No.
X.XXX	±0.15							<b>rev00</b>
Angle	±3°							Replace
					Modification	Date	Name	Sheet

