



Chipsmall Limited consists of a professional team with an average of over 10 year of expertise in the distribution of electronic components. Based in Hongkong, we have already established firm and mutual-benefit business relationships with customers from,Europe,America and south Asia,supplying obsolete and hard-to-find components to meet their specific needs.

With the principle of "Quality Parts,Customers Priority,Honest Operation,and Considerate Service",our business mainly focus on the distribution of electronic components. Line cards we deal with include Microchip,ALPS,ROHM,Xilinx,Pulse,ON,Everlight and Freescale. Main products comprise IC,Modules,Potentiometer,IC Socket,Relay,Connector.Our parts cover such applications as commercial,industrial, and automotives areas.

We are looking forward to setting up business relationship with you and hope to provide you with the best service and solution. Let us make a better world for our industry!



Contact us

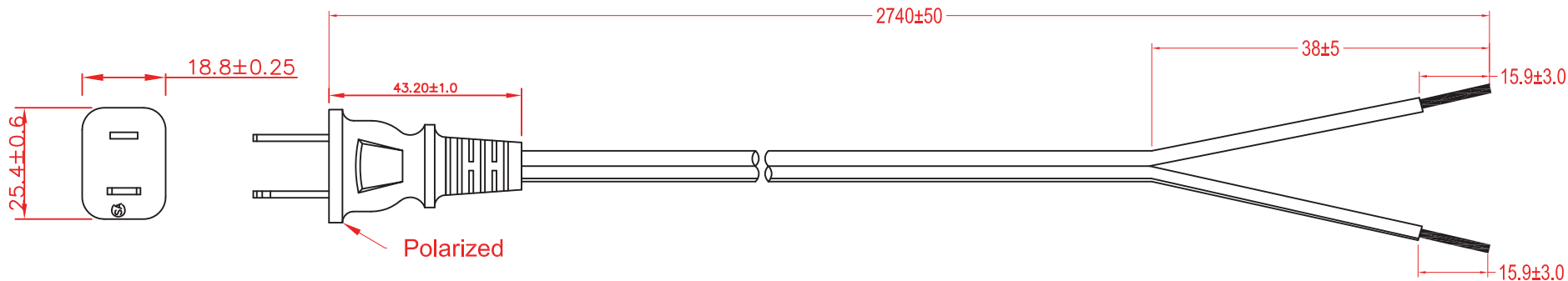
Tel: +86-755-8981 8866 Fax: +86-755-8427 6832

Email & Skype: info@chipsmall.com Web: www.chipsmall.com

Address: A1208, Overseas Decoration Building, #122 Zhenhua RD., Futian, Shenzhen, China



1			2			3			4			5			6			7		
PLUG COMPONENT			PLUG STRIP DIMENSION			END STRIP DIMENSION			END COMPONENT											
COLOR	DESCRIPTION	Q'ty	R.I.J	R.O.J	COLOR	SPT-1 18AWGx2F 60°C Black Length 2740±50	Split	Strip	COLOR	COLOR	DESCRIPTION	TYPE								
40P BLACK	IH-101(Polarized)	1	6 ⁺¹ ₋₀		Non-Polarized		38±5.0	15.9±3.0	Non-Polarized	Non-Polarized	FULL TINNED									
Nickel-Plated	GEM 98662BBS-1	2	6 ⁺¹ ₋₀		Polarized		38±5.0	15.9±3.0	Polarized	Polarized	FULL TINNED									

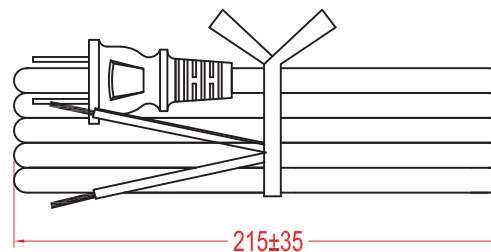


Material:

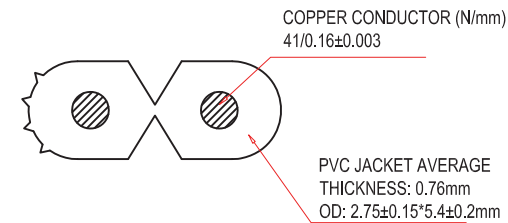
- SPT-1-18AWG(0.824mm²) VW-1, 60°C 300V
- Jacket Color: Black
- E - Green; L - Black; N - White

Electrical:

- 100% Open & Short Testing
- Insulation Resistance: 100MΩ (min.)
- Voltage: 500V DC / 1 minute



Hank Dimension



Wire Cross section

Unit: mm



Scale	Free					Date	Name	
TOLERANCE						Drawn	10.10.15	Wilson
X.	±X					Approved	10.10.15	Groll
X.X	±X							
X.XX	±X							
DIM	TOL							
X.°	±X°							
X.X°	±X°							
Angle	TOL							
Id.	Modification	Date	Name					

Title	
Power cord - SPT-1 (Polarized)	
60°C 18AWG Open End, Unshielded 9 feet	
ASSMANN WSW-No.	
AK500-OE-12-9F	
Drawing-No.	rev00
Replace	Sheet 1/1