



Chipsmall Limited consists of a professional team with an average of over 10 year of expertise in the distribution of electronic components. Based in Hongkong, we have already established firm and mutual-benefit business relationships with customers from,Europe,America and south Asia,supplying obsolete and hard-to-find components to meet their specific needs.

With the principle of "Quality Parts,Customers Priority,Honest Operation,and Considerate Service",our business mainly focus on the distribution of electronic components. Line cards we deal with include Microchip,ALPS,ROHM,Xilinx,Pulse,ON,Everlight and Freescale. Main products comprise IC,Modules,Potentiometer,IC Socket,Relay,Connector.Our parts cover such applications as commercial,industrial, and automotives areas.

We are looking forward to setting up business relationship with you and hope to provide you with the best service and solution. Let us make a better world for our industry!



Contact us

Tel: +86-755-8981 8866 Fax: +86-755-8427 6832

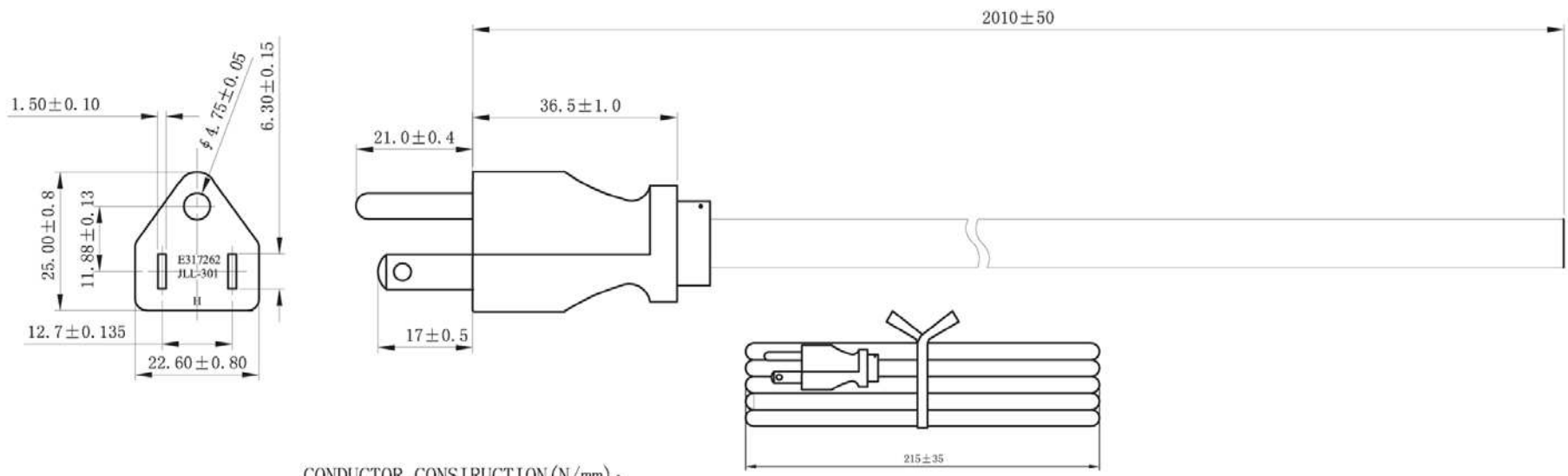
Email & Skype: info@chipsmall.com Web: www.chipsmall.com

Address: A1208, Overseas Decoration Building, #122 Zhenhua RD., Futian, Shenzhen, China

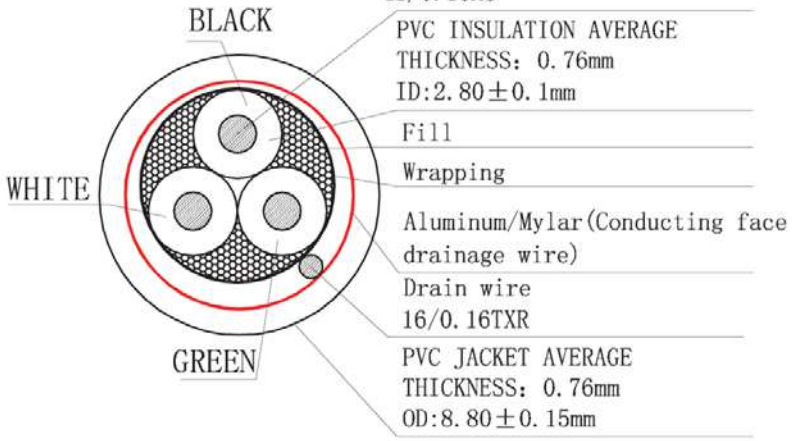


A
B
C
D
E
F
G
H

A
B
C
D
E
F
G
H



CONDUCTOR CONSTRUCTION (N/mm) :
41/0.16AS



- Material:**
- E243711(UL) SJT 3 x 18AWG(0.824MM²)
Shielded, 105°C 300V VW-1
- CSA 228191
 - Jacket Color: Black
 - E-Green, L-Black, N-White
- Electrical:**
- 100% Open & Short Testing
 - Insulation Resistance: 100MΩ (Min.)
 - Voltage: 500V DC / 1 Min.

Unit: MM

Scale	1:1						Name
TOLERANCE					Drawn	12.27.11	Chappell
X.X	±0.40				Approved		
X.XX	±0.25						
X.XXX	±0.15						
Angle	±3°						
				Modification	Date	Name	

Item No.	AK500-OE-8-2
Title	Power Cord - SJT/Open End, Shielded, 105°C, 18AWG, 2 Meters
Drawing No.	
Replace	rev00
Sheet	

