



Chipsmall Limited consists of a professional team with an average of over 10 year of expertise in the distribution of electronic components. Based in Hongkong, we have already established firm and mutual-benefit business relationships with customers from,Europe,America and south Asia,supplying obsolete and hard-to-find components to meet their specific needs.

With the principle of “Quality Parts,Customers Priority,Honest Operation,and Considerate Service”,our business mainly focus on the distribution of electronic components. Line cards we deal with include Microchip,ALPS,ROHM,Xilinx,Pulse,ON,Everlight and Freescale. Main products comprise IC,Modules,Potentiometer,IC Socket,Relay,Connector.Our parts cover such applications as commercial,industrial, and automotives areas.

We are looking forward to setting up business relationship with you and hope to provide you with the best service and solution. Let us make a better world for our industry!



## Contact us

Tel: +86-755-8981 8866 Fax: +86-755-8427 6832

Email & Skype: info@chipsmall.com Web: www.chipsmall.com

Address: A1208, Overseas Decoration Building, #122 Zhenhua RD., Futian, Shenzhen, China





# AK5358B

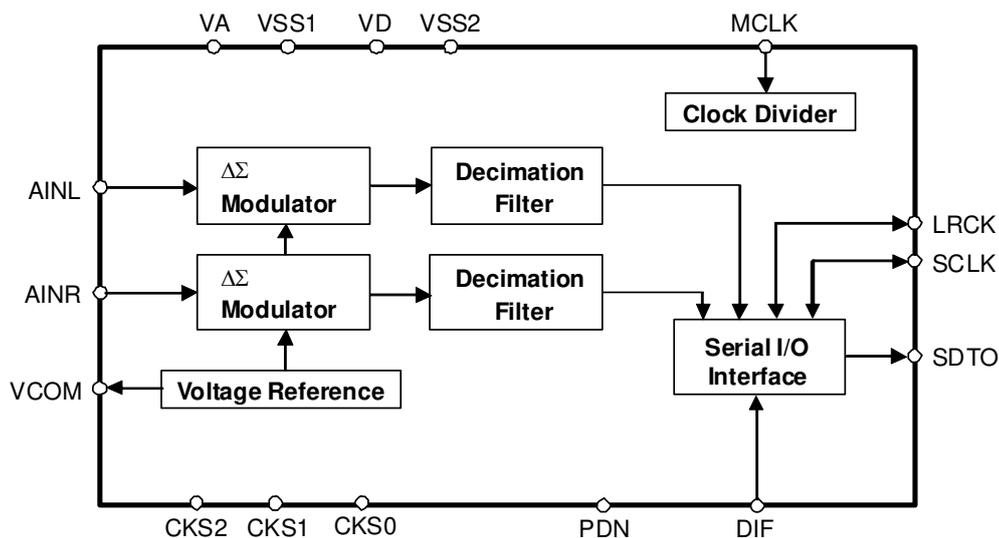
## 96kHz 24-Bit $\Delta\Sigma$ ADC

### GENERAL DESCRIPTION

The AK5358B is a stereo A/D Converter with a wide sampling rate range of 8kHz ~ 96kHz and it is suitable for consumer to professional audio system. The AK5358B achieves high accuracy and low cost by using Enhanced dual bit  $\Delta\Sigma$  techniques. No external components are required with single-ended analog inputs. The audio interface has two formats (MSB justified,  $I^2S$ ) and can correspond to various systems like DTV, DVR and AV Receiver.

### FEATURES

- Linear Phase Digital Anti-Alias Filtering
- Single-ended Input
- Digital HPF for DC-Offset cancel
- S/(N+D): 92dB
- DR: 102dB
- S/N: 102dB
- Sampling Rate Ranging from 8kHz to 96kHz
- Master Clock:
  - 256fs/384fs/512fs/768fs (8kHz ~ 48kHz)
  - 256fs/384fs (48kHz ~ 96kHz)
- Input level: TTL/CMOS
- Master / Slave Mode
- Audio Interface: 24bit MSB justified /  $I^2S$  selectable
- Power Supply: 4.5 ~ 5.5V (Analog), 2.7 ~ 5.5V (Digital)
- Ta = -20 ~ 85°C
- Small 16pin TSSOP Package
- AK5357/59/81/58A Pin-compatible



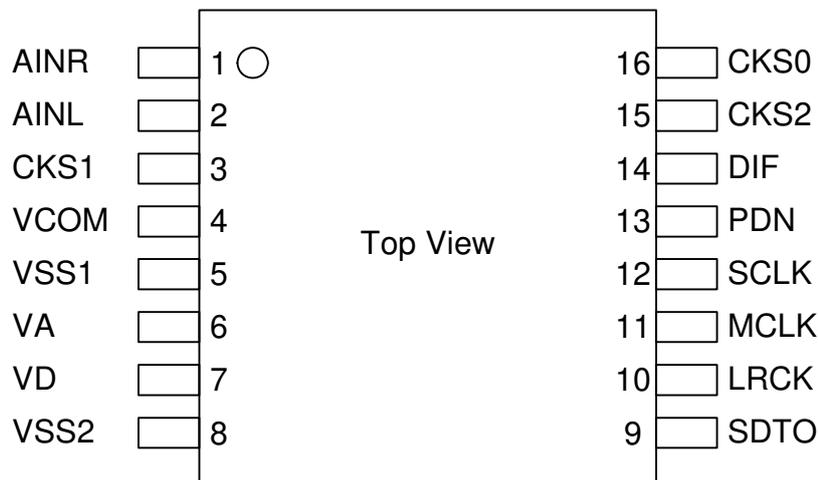
## ■ Ordering Guide

AK5358BET  
AKD5358B

-20 ~ +85°C

16pin TSSOP (0.65mm pitch)  
Evaluation Board for AK5358B

## ■ Pin Layout



## ■ Compatibility with AK5357, AK5359 and AK5381

	AK5357	AK5358B	AK5358A	AK5381	AK5359
fs	4kHz to 96kHz	8kHz to 96kHz	8kHz to 96kHz	4kHz to 96kHz	8kHz to 216kHz
S/(N+D)	88dB	92dB	92dB	96dB	94dB
DR	102dB	102dB	102dB	106dB	102dB
VIH@TTL Level Mode	2.2V	2.2V	2.2V	2.4V	Not Available
VA (Analog Supply)	2.7 to 5.5V	4.5 to 5.5V	4.5 to 5.5V	4.5 to 5.5V	4.5 to 5.5V
VD (Digital Supply)	2.7 to 5.5V	2.7 to 5.5V	2.7 to 5.5V	2.7 to 5.5V 3.0 to 5.5V @96kHz	3.0 to 5.5V
HPF Disable	Available	Not Available	Not Available	Available	Available
Operating Temperature	ET: -20 ~ +85°C VT: -40 ~ +85°C	ET: -20 ~ +85°C	ET: -20 ~ +85°C	ET: -20 ~ +85°C VT: -40 ~ +85°C XT: -40 ~ +85°C	ET: -20 ~ +85°C VT: -40 ~ +85°C
MCLK, LRCK, BICK Clock Stop	Not Available	Available	Not Available	Not Available	Not Available

<b>PIN / FUNCTION</b>
-----------------------

No.	Pin Name	I/O	Function
1	AINR	I	Rch Analog Input Pin
2	AINL	I	Lch Analog Input Pin
3	CKS1	I	Mode Select 1 Pin
4	VCOM	O	Common Voltage Output Pin, VA/2 Bias voltage of ADC input.
5	VSS1	-	Ground Pin
6	VA	-	Analog Power Supply Pin, 4.5 ~ 5.5V
7	VD	-	Digital Power Supply Pin, 2.7 ~ 5.5V
8	VSS2	-	Ground Pin
9	SDTO	O	Audio Serial Data Output Pin “L” Output at Power-down mode.
10	LRCK	I/O	Output Channel Clock Pin “L” Output in Master Mode at Power-down mode.
11	MCLK	I	Master Clock Input Pin
12	SCLK	I/O	Audio Serial Data Clock Pin “L” Output in Master Mode at Power-down mode.
13	PDN	I	Power Down Mode & Reset Pin “H”: Power up, “L”: Power down & Reset
14	DIF	I	Audio Interface Format Pin “H”: 24bit I <sup>2</sup> S Compatible, “L”: 24bit MSB justified
15	CKS2	I	Mode Select 2 Pin
16	CKS0	I	Mode Select 0 Pin

Note: All input pins except analog input pins (AINR, AINL) should not be left floating.

### ■ Handling of Unused Pin

The unused input pins must be processed appropriately as below.

Classification	Pin Name	Setting
Analog	AINL	This pin must be open.
	AINR	This pin must be open.

<b>ABSOLUTE MAXIMUM RATINGS</b>
---------------------------------

(VSS1=VSS2=0V; [Note 1](#))

Parameter		Symbol	min	max	Units
Power Supplies:	Analog	VA	-0.3	6.0	V
	Digital	VD	-0.3	6.0	V
Input Current, Any Pin Except Supplies		IIN	-	±10	mA
Analog Input Voltage (AINL, AINR, CKS1 pins)		VINA	-0.3	VA+0.3	V
Digital Input Voltage ( <a href="#">Note 2</a> )		VIND	-0.3	VD+0.3	V
Ambient Temperature (powered applied)		Ta	-20	85	°C
Storage Temperature		Tstg	-65	150	°C

Note 1. All voltages with respect to ground.

Note 2. PDN, DIF, MCLK, SCLK, LRCK, CKS0, CKS2 pins

WARNING: Operation at or beyond these limits may result in permanent damage to the device.  
Normal operation is not guaranteed at these extremes.

<b>RECOMMENDED OPERATING CONDITIONS</b>
---

(VSS1=VSS2=0V; [Note 1](#))

Parameter		Symbol	min	typ	max	Units
Power Supplies ( <a href="#">Note 3</a> )	Analog	VA	4.5	5.0	5.5	V
	Digital	VD	2.7	5.0	VA	V

Note 3. The power up sequence between VA and VD is not critical.

WARNING: AKM assumes no responsibility for the usage beyond the conditions in this datasheet.

<b>ANALOG CHARACTERISTICS</b>
-------------------------------

(Ta=25°C; VA=5.0, VD=5.0V; VSS1=VSS2=0V; fs=48kHz, 96kHz; SCLK=64fs; Signal Frequency=1kHz; 24bit Data; Measurement frequency=20Hz ~ 20kHz at fs=48kHz, 40Hz ~ 40kHz at fs=96kHz; unless otherwise specified)

Parameter	min	typ	max	Units	
<b>ADC Analog Input Characteristics:</b>					
Resolution			24	Bits	
Input Voltage (Note 4)	2.7	3.0	3.3	Vpp	
S/(N+D)	fs=48kHz BW=20kHz	-1dBFS	82	92	dB
		-60dBFS	-	39	dB
	fs=96kHz BW=40kHz	-1dBFS	-	90	dB
		-60dBFS	-	38	dB
DR (-60dBFS, A-weighted)	94	102		dB	
S/N (A-weighted)	94	102		dB	
Input Resistance	fs=48kHz	13	20	kΩ	
	fs=96kHz	9	14	kΩ	
Interchannel Isolation	90	110		dB	
Interchannel Gain Mismatch		0.1	0.5	dB	
Gain Drift		100	-	ppm/°C	
Power Supply Rejection (Note 5)	-	50		dB	
<b>Power Supplies</b>					
Power Supply Current					
Normal Operation (PDN pin = "H")					
VA		12	18	mA	
VD (fs=48kHz) (Note 6)		3	5	mA	
VD (fs=96kHz) (Note 7)		6	9	mA	
Power down mode (PDN pin = "L") (Note 8)					
VA+VD		10	100	μA	

Note 4. This value is the full scale (0dB) of the input voltage. Input voltage is proportional to VA voltage.

$$V_{in} = 0.6 \times V_A \text{ (Vpp)}$$

Note 5. PSR is applied to VA and VD with 1kHz, 50mVpp.

Note 6. VD=2mA@3V

Note 7. VD=4mA@3V

Note 8. All digital input pins and CKS1 pin are held VD or VSS2.

**FILTER CHARACTERISTICS (fs=48kHz)**

(Ta=-20°C ~ 85°C; VA=4.5 ~ 5.5V; VD=2.7 ~ 5.5V)

Parameter	Symbol	min	typ	max	Units
<b>ADC Digital Filter (Decimation LPF):</b>					
Passband (Note 9)	±0.1dB	PB	0	18.9	kHz
	-0.2dB		-	20.0	kHz
	-3.0dB		-	23.0	kHz
Stopband	SB	28			kHz
Passband Ripple	PR			±0.04	dB
Stopband Attenuation	SA	68			dB
Group Delay Distortion	ΔGD		0		μs
Group Delay (Note 10)	GD		16		1/fs
<b>ADC Digital Filter (HPF):</b>					
Frequency Response (Note 9)	-3dB	FR		1.0	Hz
	-0.1dB			6.5	Hz

**FILTER CHARACTERISTICS (fs=96kHz)**

(Ta=-20°C ~ 85°C; VA=4.5 ~ 5.5V; VD=2.7 ~ 5.5V)

Parameter	Symbol	min	typ	max	Units
<b>ADC Digital Filter (Decimation LPF):</b>					
Passband (Note 9)	±0.1dB	PB	0	37.8	kHz
	-0.2dB		-	40.0	kHz
	-3.0dB		-	46.0	kHz
Stopband	SB	56			kHz
Passband Ripple	PR			±0.04	dB
Stopband Attenuation	SA	68			dB
Group Delay Distortion	ΔGD		0		μs
Group Delay (Note 10)	GD		16		1/fs
<b>ADC Digital Filter (HPF):</b>					
Frequency Response (Note 9)	-3dB	FR		2.0	Hz
	-0.1dB			13.0	Hz

Note 9. The passband and stopband frequencies scale with fs. For example, PB=48kHz@±0.1dB is  $0.39375 \times fs$ .

Note 10. The calculated delay time induced by digital filtering. This time is from the input of an analog signal to the setting of 24bit data both channels to the ADC output register for ADC.

**DC CHARACTERISTICS (CMOS Level Mode)**

(Ta=-20°C ~ 85°C; VA=4.5 ~ 5.5V; VD=2.7 ~ 5.5V; CKS2/1/0 = "LLL", "LHL", "LHH", "HHL", "HHH")

Parameter	Symbol	min	typ	max	Units
High-Level Input Voltage	VIH	70%VD	-	-	V
Low-Level Input Voltage	VIL	-	-	30%VD	V
High-Level Output Voltage (Iout=-1mA)	VOH	VD-0.5	-	-	V
Low-Level Output Voltage (Iout=1mA)	VOL	-	-	0.5	V
Input Leakage Current	Iin	-	-	±10	μA

**DC CHARACTERISTICS (TTL Level Mode)**

(Ta=-20°C ~ 85°C; VA=4.5 ~ 5.5V; VD=4.5 ~ 5.5V; CKS2/1/0 = "HLL")

Parameter	Symbol	min	typ	max	Units
High-Level Input Voltage (CKS2-0 pins)	VIH	70%VD	-	-	V
(All pins except CKS2-0 pins)	VIH	2.2	-	-	V
Low-Level Input Voltage (CKS2-0 pins)	VIL	-	-	30%VD	V
(All pins except CKS2-0 pins)	VIL	-	-	0.8	V
High-Level Output Voltage (Iout=-1mA)	VOH	VD-0.5	-	-	V
Low-Level Output Voltage (Iout=1mA)	VOL	-	-	0.5	V
Input Leakage Current	Iin	-	-	±10	μA

## SWITCHING CHARACTERISTICS

(Ta=-20°C ~ 85°C; VA=4.5 ~ 5.5V; VD=2.7 ~ 5.5V; CL=20pF)

Parameter	Symbol	min	typ	max	Units
<b>Master Clock Timing</b> (Note 11)					
512fs, 256fs Frequency	fCLK	2.048		24.576	MHz
Duty cycle	dCLK	40		60	%
768fs, 384fs Frequency	fCLK	3.072		36.864	MHz
Duty cycle	dCLK	40		60	%
<b>LRCK Frequency</b>					
	fs	8		96	kHz
Duty Cycle		45		55	%
			50		%
<b>Audio Interface Timing</b>					
<b>Slave mode</b>					
SCLK Period	tSCK	160			ns
SCLK Pulse Width Low	tSCKL	65			ns
Pulse Width High	tSCKH	65			ns
LRCK Edge to SCLK “↑”	tLRSH	30			ns
SCLK “↑” to LRCK Edge	tSHLR	30			ns
LRCK to SDTO (MSB) (Except I <sup>2</sup> S mode)	tLRS			35	ns
SCLK “↓” to SDTO	tSSD			35	ns
<b>Master mode</b>					
SCLK Frequency	fSCK		64fs		Hz
SCLK Duty	dSCK		50		%
SCLK “↓” to LRCK	tMSLR	-20		20	ns
SCLK “↓” to SDTO	tSSD	-20		35	ns
<b>Reset Timing</b>					
PDN Pulse Width	tPD	150			ns
PDN “↑” to SDTO valid at Slave Mode	tPDV		4132		1/fs
PDN “↑” to SDTO valid at Master Mode	tPDV		4129		1/fs

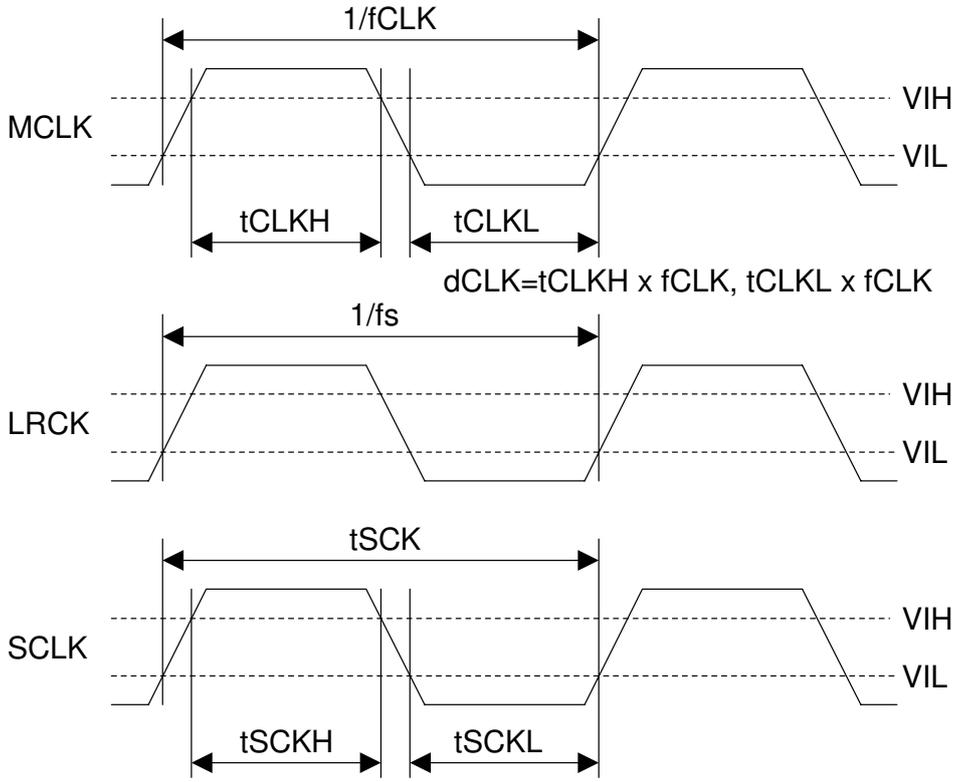
Note 11. The AK5358B is reset by more than 13 $\mu$ s “L” period of MCLK. The data is output after initializing.

Note 12. SCLK rising edge must not occur at the same time as LRCK edge.

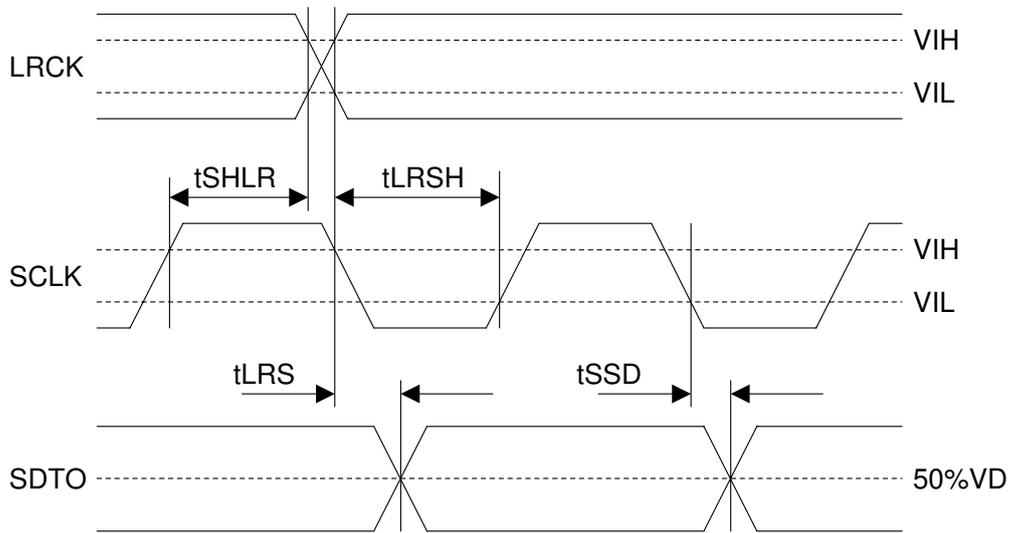
Note 13. The AK5358B can be reset by bringing the PDN pin = “L”.

Note 14. This cycle is the number of LRCK rising edges from the PDN pin = “H”.

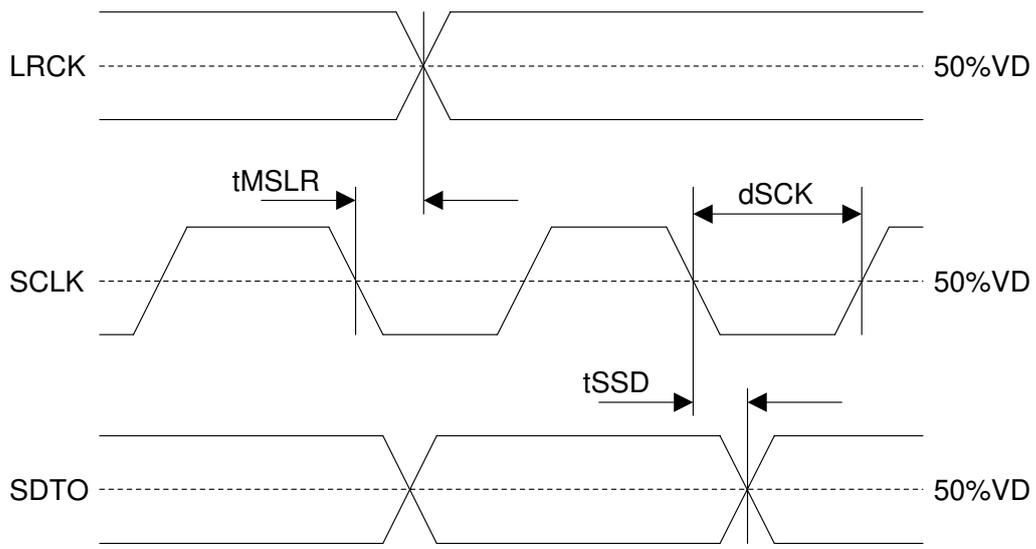
■ Timing Diagram



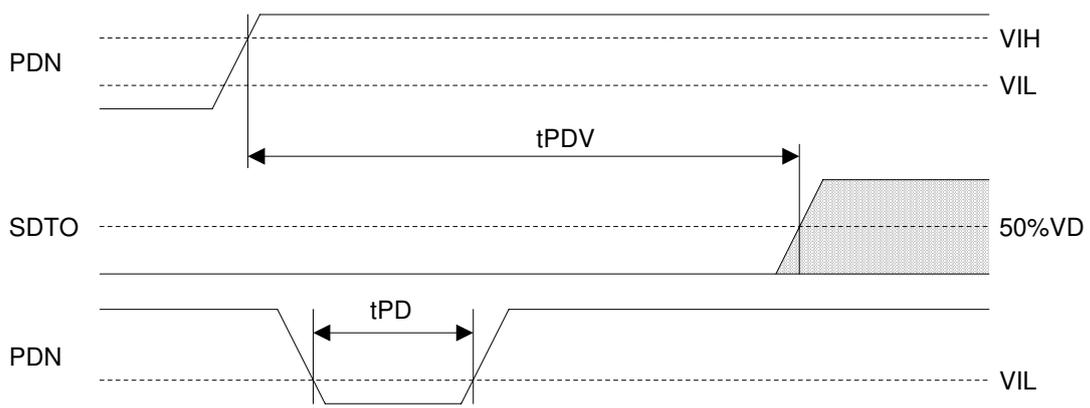
Clock Timing



Audio Interface Timing (Slave mode)



Audio Interface Timing (Master mode)



Power Down & Reset Timing

<b>OPERATION OVERVIEW</b>
---------------------------

### ■ System Clock

MCLK, SCLK and LRCK (fs) clocks are required in slave mode. The LRCK clock input must be synchronized with MCLK, however the phase is not critical. [Table 1](#) shows the relationship of typical sampling frequency and the system clock frequency. MCLK frequency, SCLK frequency and master/slave modes are selected by CKS2-0 pins as shown in [Table 2](#).

fs	MCLK			
	256fs	384fs	512fs	768fs
32kHz	8.192MHz	12.288MHz	16.384MHz	24.576MHz
44.1kHz	11.2896MHz	16.9344MHz	22.5792MHz	33.8688MHz
48kHz	12.288MHz	18.432MHz	24.576MHz	36.864MHz
96kHz	24.576MHz	36.864MHz	N/A	N/A

Table 1. System Clock Example

Mode	CKS2	CKS1	CKS0	Input Level	Master/Slave	MCLK	SCLK
0	L	L	L	CMOS	Slave	256/384fs (8k≤fs≤96k) 512/768fs (8k≤fs≤48k)	≥ 48fs or 32fs ( <a href="#">Note 15</a> )
1	L	L	H			Reserved	
2	L	H	L	CMOS	Master	256fs (8k≤fs≤96k)	64fs
3	L	H	H	CMOS	Master	512fs (8k≤fs≤48k)	64fs
4	H	L	L	TTL	Slave	256/385fs(~ 96kHz) 512/768fs(~ 48kHz)	≥ 48fs or 32fs ( <a href="#">Note 15</a> )
5	H	L	H			Reserved	
6	H	H	L	CMOS	Master	384fs (8k≤fs≤96k)	64fs
7	H	H	H	CMOS	Master	768fs (8k≤fs≤48k)	64fs

Table 2. Operation Mode Select

Note 15. SDTO outputs 16bit data at SCLK=32fs.

■ Audio Interface Format

Two kinds of data formats can be selected by the DIF pin (Table 3). In both modes, the serial data is in MSB first, 2’s compliment format. The SDTO is clocked out on the falling edge of SCLK. The audio interface supports both master and slave modes. In master mode, SCLK and LRCK are output with the SCLK frequency fixed to 64fs and the LRCK frequency fixed to 1fs.

Mode	DIF pin	SDTO	LRCK	SCLK	Figure
0	L	24bit, MSB justified	H/L	≥ 48fs or 32fs	Figure 1
1	H	24bit, I <sup>2</sup> S Compatible	L/H	≥ 48fs or 32fs	Figure 2

Table 3. Audio Interface Format

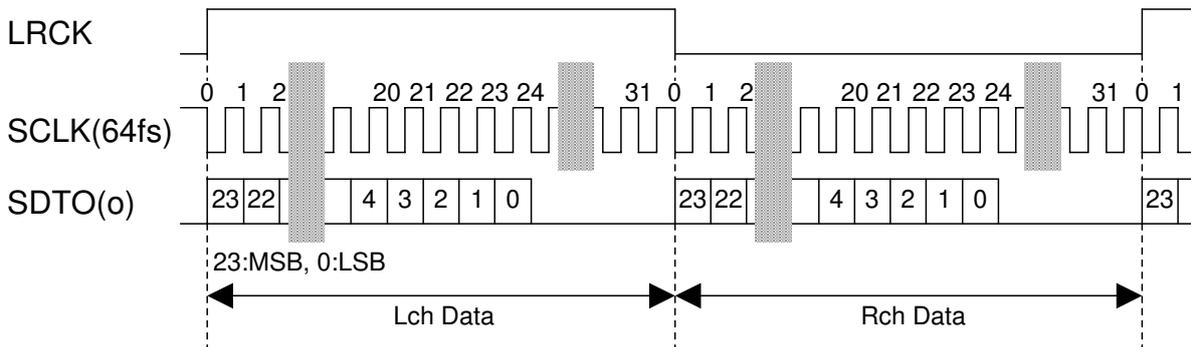


Figure 1. Mode 0 Timing

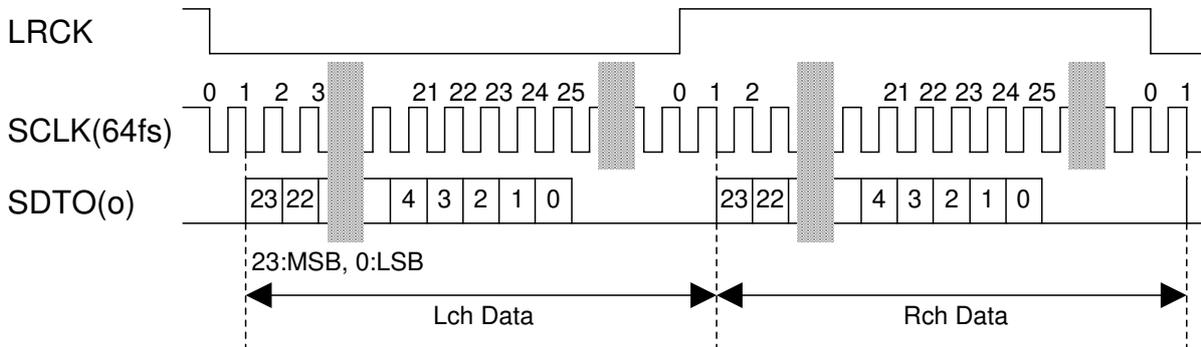


Figure 2. Mode 1 Timing

■ Digital High Pass Filter

The ADC has a digital high pass filter for DC offset cancellation. The cut-off frequency of the HPF is 1.0Hz (@fs=48kHz) and it scales with sampling rate (fs).

## ■ Power Down

The AK5358B is placed in power-down mode by bringing the PDN pin “L” or MCLK stop more than 13 $\mu$ s, and the digital filter is also reset at the same time. This reset should always be made after power-up. In power-down mode, the VCOM is same level as VSS1. MCLK and LRCK must be input when the PDN pin is “H” to release the power down mode. An analog initialization cycle starts after exiting the power-down mode. Therefore, the output data SDTO becomes available after 4129 cycles of LRCK clock in master mode or 4132 cycles of LRCK clock in slave mode.

During initialization, the ADC digital data outputs of both channels are forced to a 2’s complement “0”. The ADC outputs are settled in the data corresponding to the input signals after the end of initialization (Settling approximately takes the same time as group delay).

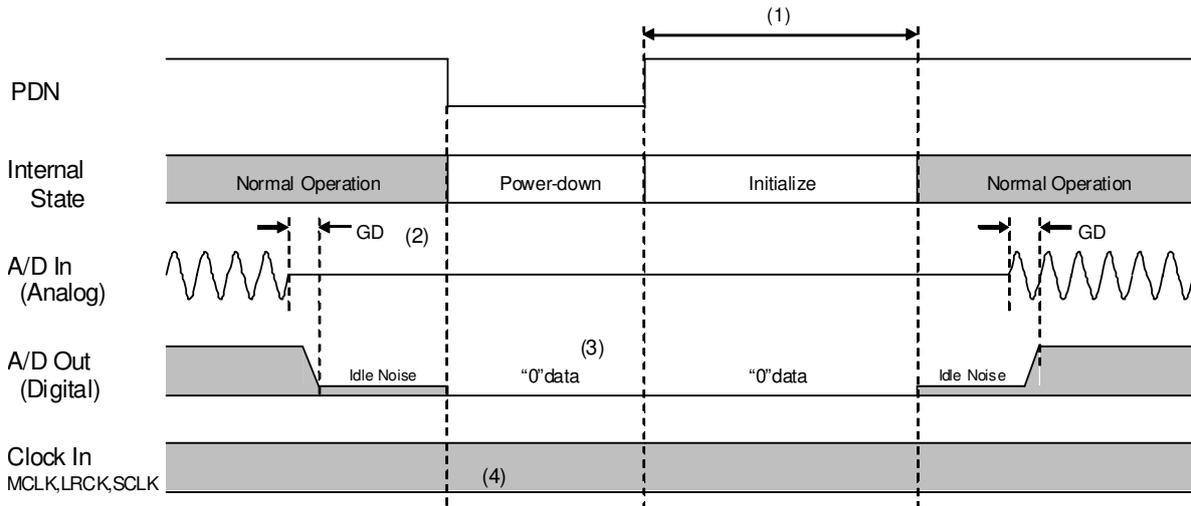


Figure 3. Power-down/up sequence example (PDN pin reset)

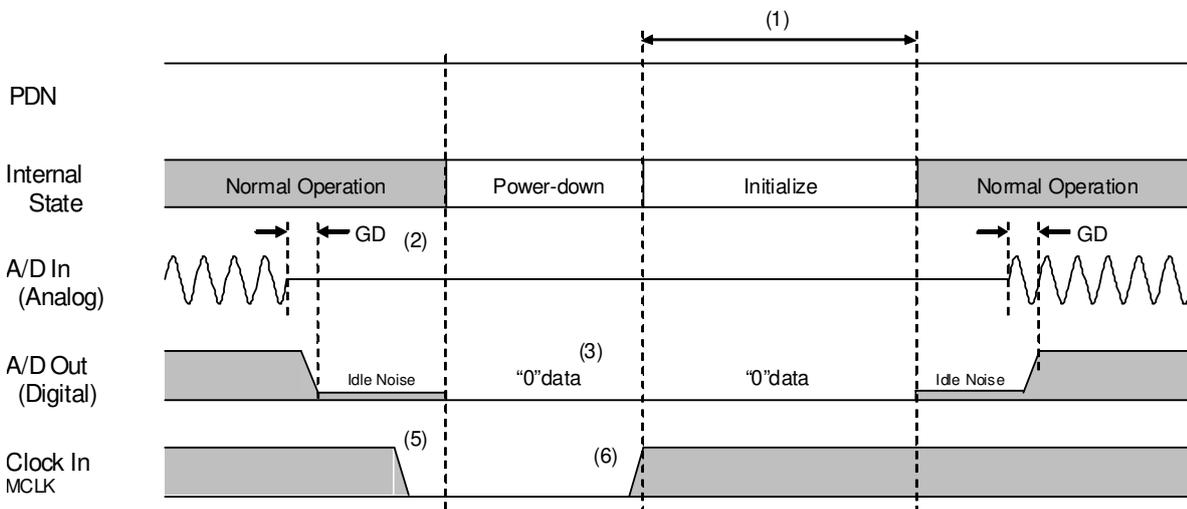


Figure 4. Power-down/up sequence example (MCLK stop reset)

### Notes:

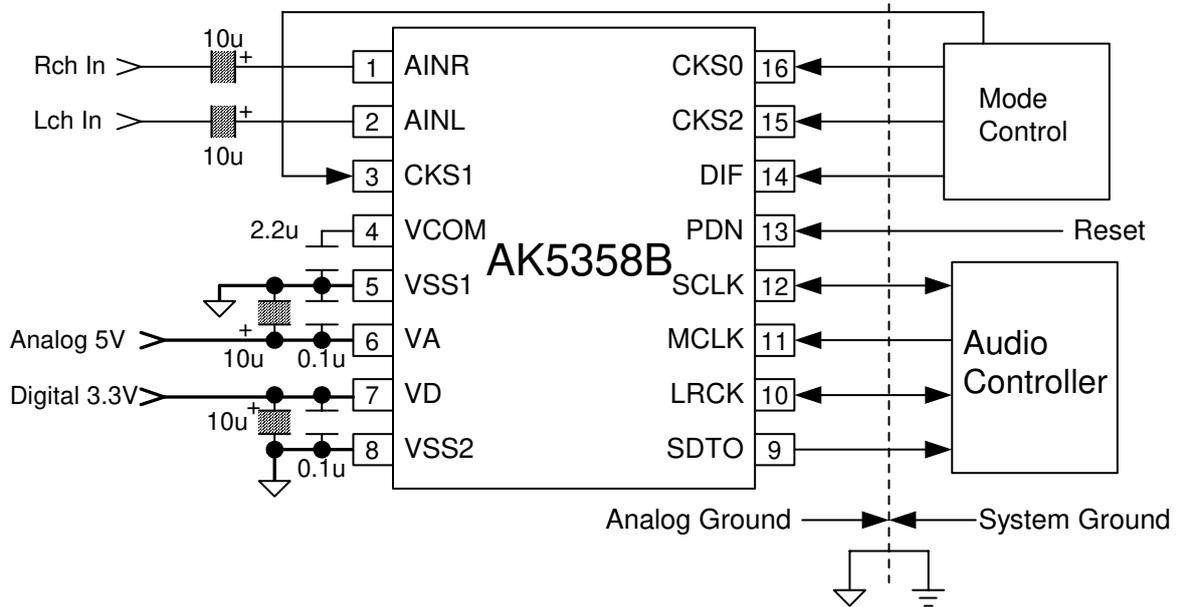
- (1) 4132/fs in slave mode and 4129/fs in master mode.
- (2) Digital output corresponding to analog input has the group delay (GD).
- (3) A/D outputs “0” data at the power-down state.
- (4) MCLK is input as normal operation.
- (5) When MCLK is stopped more than 13 $\mu$ s, the AK5358B becomes power down mode.
- (6) MCLK and LRCK must be input to release power-down mode.

**■ System Reset**

The AK5358B must be reset once by bringing the PDN pin “L” or inputting MCLK 13us (min) after the AK5358B is powered-up. In slave mode, the internal timing starts clocking by the rising edge (falling edge at mode 1) of LRCK after exiting from reset and power down state by MCLK. The AK5358B is power down state until LRCK is input. In master mode, the internal timing starts when MCLK is input.

**SYSTEM DESIGN**

Figure 5 shows the system connection diagram. An evaluation board is available which demonstrates application circuits, the optimum layout, power supply arrangements and measurement results.



Note:

- VSS1 and VSS2 of the AK5358B should be distributed separately from the ground of external digital devices (MPU, DSP etc.).
- All digital input pins should not be left floating.
- The CKS1 pin should be connected to VA or VSS1.

Figure 5. Typical Connection Diagram

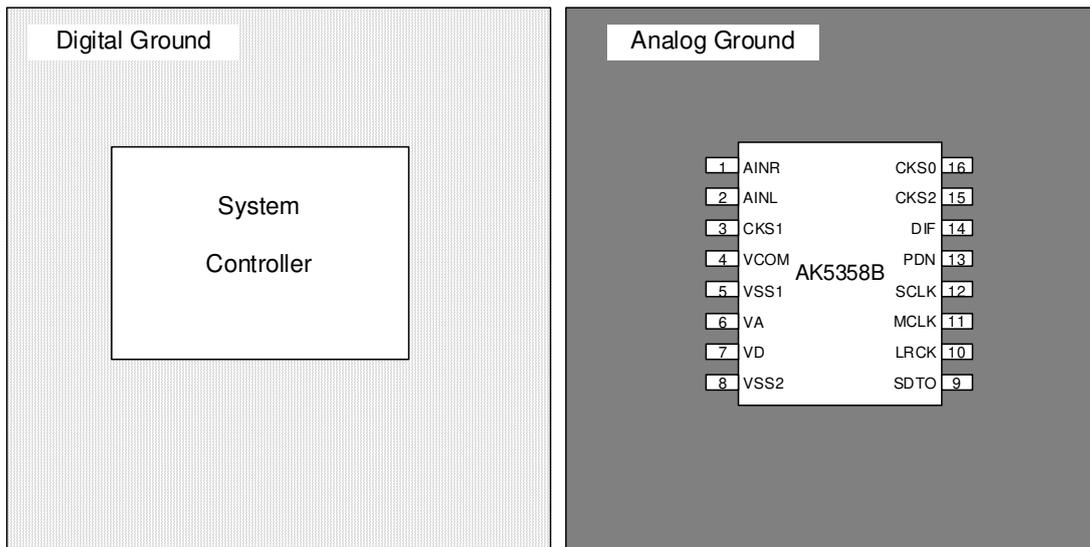


Figure 6. Ground Layout

Note:

- VSS1 and VSS2 must be connected to the same analog ground plane.

## 1. Grounding and Power Supply Decoupling

The AK5358B requires careful attention to power supply and grounding arrangements. Alternatively if VA and VD are supplied separately, the power up sequence is not critical. **VSS1 and VSS2 of the AK5358B must be connected to analog ground plane.** System analog ground and digital ground should be connected together near to where the supplies are brought onto the printed circuit board. Decoupling capacitors should be as near to the AK5358A as possible, with the small value ceramic capacitor being the nearest.

## 2. Voltage Reference

The voltage input to VA sets the analog input range. VCOM are 50%VA and normally connected to VSS1 with a 0.1 $\mu$ F ceramic capacitor. A capacitor 2.2 $\mu$ F is attached to VCOM pin. No load current may be drawn from these pins. All signals, especially clocks, should be kept away from the VCOM pin in order to avoid unwanted coupling into the AK5358B.

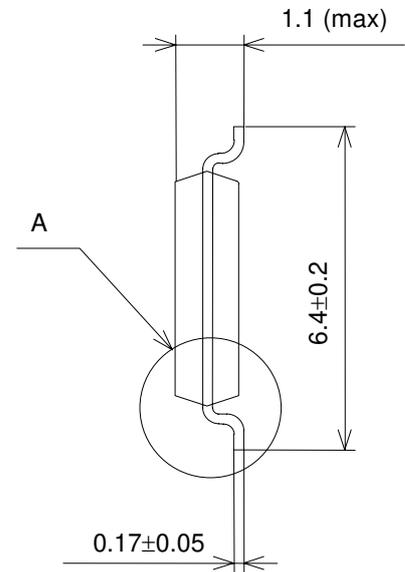
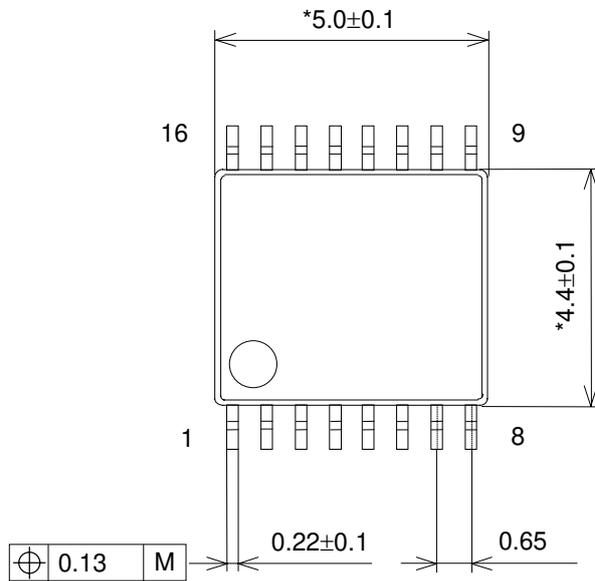
## 3. Analog Inputs

The ADC inputs are single-ended and internally biased to the common voltage (50%VA) with 20k $\Omega$  (typ@fs=48kHz) resistance. The input signal range scales with the supply voltage and nominally 0.6xVA Vpp (typ). The ADC output data format is 2's complement. The internal HPF removes the DC offset.

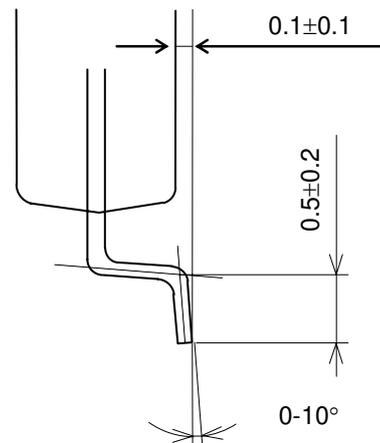
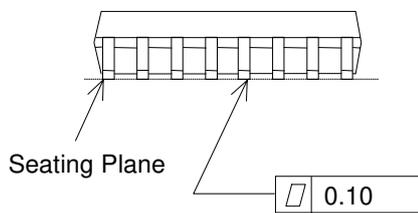
The AK5358B samples the analog inputs at 64fs (@fs=48kHz). The digital filter rejects noise above the stop band except for multiples of 64fs. The AK5358B includes an anti-aliasing filter (RC filter) to attenuate a noise around 64fs.

PACKAGE

16pin TSSOP (Unit: mm)



Detail A

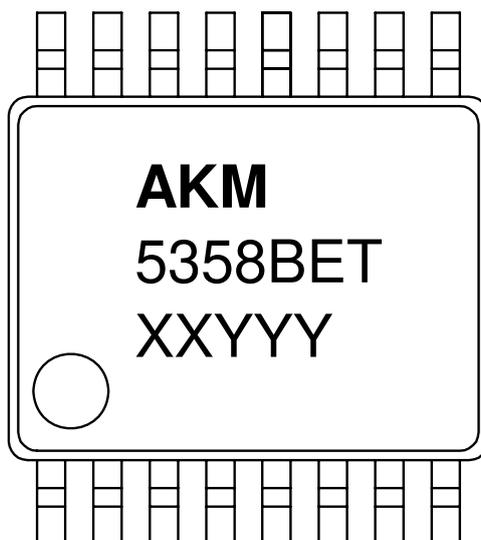


NOTE: Dimension "\*" does not include mold flash.

■ Material & Lead finish

Package molding compound:	Epoxy, Halogen (bromine and chlorine) free
Lead frame material:	Cu
Lead frame surface treatment:	Solder (Pb free) plate

**MARKING**



- 1) Pin #1 indication
- 2) Date Code: XXYYYY (5 digits)  
     XX: Lot#  
     YYY: Date Code
- 3) Marketing Code: 5358BET

**REVISION HISTORY**

Date (YY/MM/DD)	Revision	Reason	Page	Contents
10/02/09	00	First Edition		

IMPORTANT NOTICE

- These products and their specifications are subject to change without notice.  
When you consider any use or application of these products, please make inquiries the sales office of Asahi Kasei Microdevices Corporation (AKM) or authorized distributors as to current status of the products.
- AKM assumes no liability for infringement of any patent, intellectual property, or other rights in the application or use of any information contained herein.
- Any export of these products, or devices or systems containing them, may require an export license or other official approval under the law and regulations of the country of export pertaining to customs and tariffs, currency exchange, or strategic materials.
- AKM products are neither intended nor authorized for use as critical components<sub>Note1</sub>) in any safety, life support, or other hazard related device or system<sub>Note2</sub>), and AKM assumes no responsibility for such use, except for the use approved with the express written consent by Representative Director of AKM. As used here:
  - Note1) A critical component is one whose failure to function or perform may reasonably be expected to result, whether directly or indirectly, in the loss of the safety or effectiveness of the device or system containing it, and which must therefore meet very high standards of performance and reliability.
  - Note2) A hazard related device or system is one designed or intended for life support or maintenance of safety or for applications in medicine, aerospace, nuclear energy, or other fields, in which its failure to function or perform may reasonably be expected to result in loss of life or in significant injury or damage to person or property.
- It is the responsibility of the buyer or distributor of AKM products, who distributes, disposes of, or otherwise places the product with a third party, to notify such third party in advance of the above content and conditions, and the buyer or distributor agrees to assume any and all responsibility and liability for and hold AKM harmless from any and all claims arising from the use of said product in the absence of such notification.