



Chipsmall Limited consists of a professional team with an average of over 10 year of expertise in the distribution of electronic components. Based in Hongkong, we have already established firm and mutual-benefit business relationships with customers from,Europe,America and south Asia,supplying obsolete and hard-to-find components to meet their specific needs.

With the principle of "Quality Parts,Customers Priority,Honest Operation,and Considerate Service",our business mainly focus on the distribution of electronic components. Line cards we deal with include Microchip,ALPS,ROHM,Xilinx,Pulse,ON,Everlight and Freescale. Main products comprise IC,Modules,Potentiometer,IC Socket,Relay,Connector.Our parts cover such applications as commercial,industrial, and automotives areas.

We are looking forward to setting up business relationship with you and hope to provide you with the best service and solution. Let us make a better world for our industry!



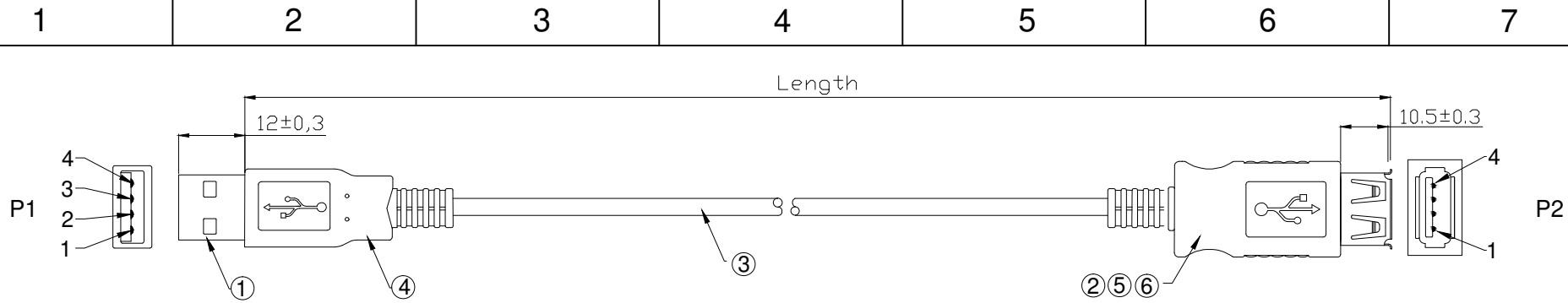
Contact us

Tel: +86-755-8981 8866 Fax: +86-755-8427 6832

Email & Skype: info@chipsmall.com Web: www.chipsmall.com

Address: A1208, Overseas Decoration Building, #122 Zhenhua RD., Futian, Shenzhen, China

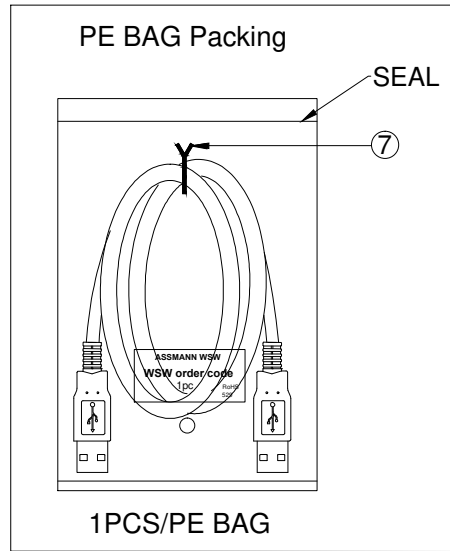




CABLE BLACK PRINT
 HI-SPEED USB Revision 2.0 SHIELDED 28AWG/1 +
 24AWG/2C AWM STYLE 2725 80°C 30V VW-1

PIN ASSIGNMENT	
P1	P2
1	1
2	2
3	3
4	4
SHELL	SHELL

WSW order code	Cable length	PE BAG SIZE
AK669/2-18	1800±50mm	130*230*0.05mm
AK669/2-30	3000±50mm	130*230*0.05mm
AK669/2-50	5000±50mm	150*280*0.05mm



- Electrical test:
- 100% short ,open,miswire test
 - Conduct resistance: 2Ω max.
 - Insulation resistance: 5M ohm(min)
 - Dielectric test: DC 300V

⑦	TIE	1	WHITE L=100mm
⑥	IN JACKET	3g	Clear LDPE
⑤	OUT JACKET	7g	Beige(IV-29#) PVC-40P
④	OUT JACKET	6g	Beige(IV-29#) PVC-40P
③	CABLE	1	Beige(IV-29#) USB2.0 UL2725 28#/1P+24#/2C+AEB OD:4.7mm
②	CONN	1	USB A FEMALE Nickel PIN G/F SHORT TYPE Insulator color:White
①	CONN	1	USB A MALE Nickel PIN G/F 3PCS TYPE Insulator color:White
No.	NAME	QTY	DESCRIPTION

RoHS compliant
 Unit: mm

Scale	FREE					Date	Name	Customer-No.
TOLERANCE						Drawn	18.11.2014	Joanna
						Approved	18.11.2014	Joanna
DIM	TOL							
		①	Drawn	18.11.2014	Joanna			
Angle	TOL	Id.	Modification	Date	Name			

Customer-No.	
ASSMANN WSW-No. AK669/2-xx	
Drawing-No.	rev00
Replace	Sheet