



Chipsmall Limited consists of a professional team with an average of over 10 year of expertise in the distribution of electronic components. Based in Hongkong, we have already established firm and mutual-benefit business relationships with customers from,Europe,America and south Asia,supplying obsolete and hard-to-find components to meet their specific needs.

With the principle of “Quality Parts,Customers Priority,Honest Operation,and Considerate Service”,our business mainly focus on the distribution of electronic components. Line cards we deal with include Microchip,ALPS,ROHM,Xilinx,Pulse,ON,Everlight and Freescale. Main products comprise IC,Modules,Potentiometer,IC Socket,Relay,Connector.Our parts cover such applications as commercial,industrial, and automotives areas.

We are looking forward to setting up business relationship with you and hope to provide you with the best service and solution. Let us make a better world for our industry!



Contact us

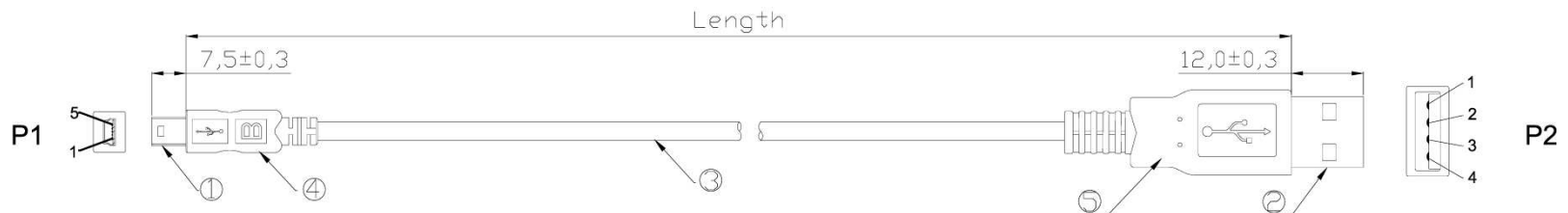
Tel: +86-755-8981 8866 Fax: +86-755-8427 6832

Email & Skype: info@chipsmall.com Web: www.chipsmall.com

Address: A1208, Overseas Decoration Building, #122 Zhenhua RD., Futian, Shenzhen, China

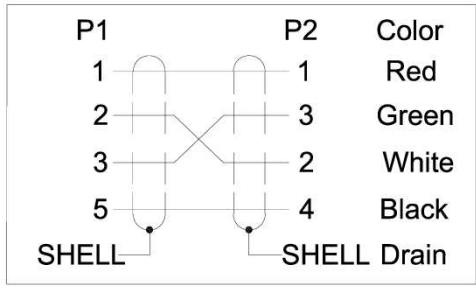


1 2 3 4 5 6 7



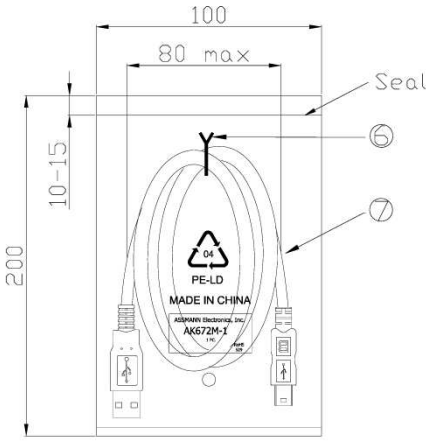
Cable white print
 USB CABLE AWM 2725 VW-1 30V 80°C 28AWG/1PR AND 28AWG/2C

PIN ASSIGNMENT



WSW P/N	Jacket color	Length(mm)
AK672M-1	Black	1000±30
AK672M-2	Black	2000±50
AK672M-3	Black	3000±50
AK672M-5	Black	5000±50

Electrical test:
 1. 100% short, open, miswire test
 2. Conduct resistance: 2 Ohm max.
 3. Insulator resistance: 5Mohm min.
 4. Dielectric test: DC 300V



1PC/PE Bag

NO.	NAME.	Q'TY	SPECIFICATION
⊗	PE Bag	1/10	Clear size: 230x300x0.05mm Print black "MADE IN CHINA" + "10PCS"
⊙	PE Bag	1	Clear size: 100x200x0.05mm Print black "MADE IN CHINA"+ "1PC"
⊖	TIE	1	Black L=100mm
⊕	Out Jacket	6g	Black PVC-40P (Mold No.: WM-40)
④	Out Jacket	6g	Black PVC-40P (Mold No.: WM-88)
③	Cable	1	Black USB1.1 UL2725 28#/1P+28#/2C+AEB OD:3.8mm
⊗	CONN	1	USB A MALE SHELL:Nickel PIN:G/F 4PCS Type Insulator color: White
①	CONN	1	USB MINI 5P MALE SHELL:Nickel PIN:G/F Insulator color: Black

RoHS compliant
 Unit: mm

Scale	FREE					Date	Name	Customer-No.
TOLERANCE						Drawn	09.05.2014	Amy
						Approved	09.05.2014	Amy
DIM	TOL							ASSMANN WSW-No.
								AK672M-x
		①	Drawn	09.05.2014	Amy			
Angle	TOL	Id.	Modification	Date	Name			

Drawing-No.	rev
ASS 7130 CA	rev00
Replace	Sheet

1 2 3 4 5 6 7