



Chipsmall Limited consists of a professional team with an average of over 10 year of expertise in the distribution of electronic components. Based in Hongkong, we have already established firm and mutual-benefit business relationships with customers from,Europe,America and south Asia,supplying obsolete and hard-to-find components to meet their specific needs.

With the principle of "Quality Parts,Customers Priority,Honest Operation,and Considerate Service",our business mainly focus on the distribution of electronic components. Line cards we deal with include Microchip,ALPS,ROHM,Xilinx,Pulse,ON,Everlight and Freescale. Main products comprise IC,Modules,Potentiometer,IC Socket,Relay,Connector.Our parts cover such applications as commercial,industrial, and automotives areas.

We are looking forward to setting up business relationship with you and hope to provide you with the best service and solution. Let us make a better world for our industry!



## Contact us

Tel: +86-755-8981 8866 Fax: +86-755-8427 6832

Email & Skype: info@chipsmall.com Web: www.chipsmall.com

Address: A1208, Overseas Decoration Building, #122 Zhenhua RD., Futian, Shenzhen, China





# Low - Jitter Clock Generator with Integrated VCO

## AK8185A

*-Preliminary-*

### - Features -

- Low Phase Noise PLL  
RMS jitter 0.4ps typ. (12kHz to 20MHz)
- On chip VCO
- 4x Output Available  
Pin-Selectable  
LVPECL, LVDS, or 2-LVCMOS
- LVCMOS Bypass Output Available
- 3.3V for Core
- Operating Temperature Range: -40 to +85°C
- Pin Package: 5mm x 5mm  
32-pin Leadless QFN (Pb-free)

### - Description -

- AK8185A is a Low – Jitter Clock Generator with sub pico-second jitter performance.
- Also Low power consumption is the advantage for advanced optimized application.

### - Application -

- Ethernet
- SONET
- Fibre Channel
- SAN
- Cost-Effective High-Frequency Crystal Oscillator Replacement

### - Block Diagram -

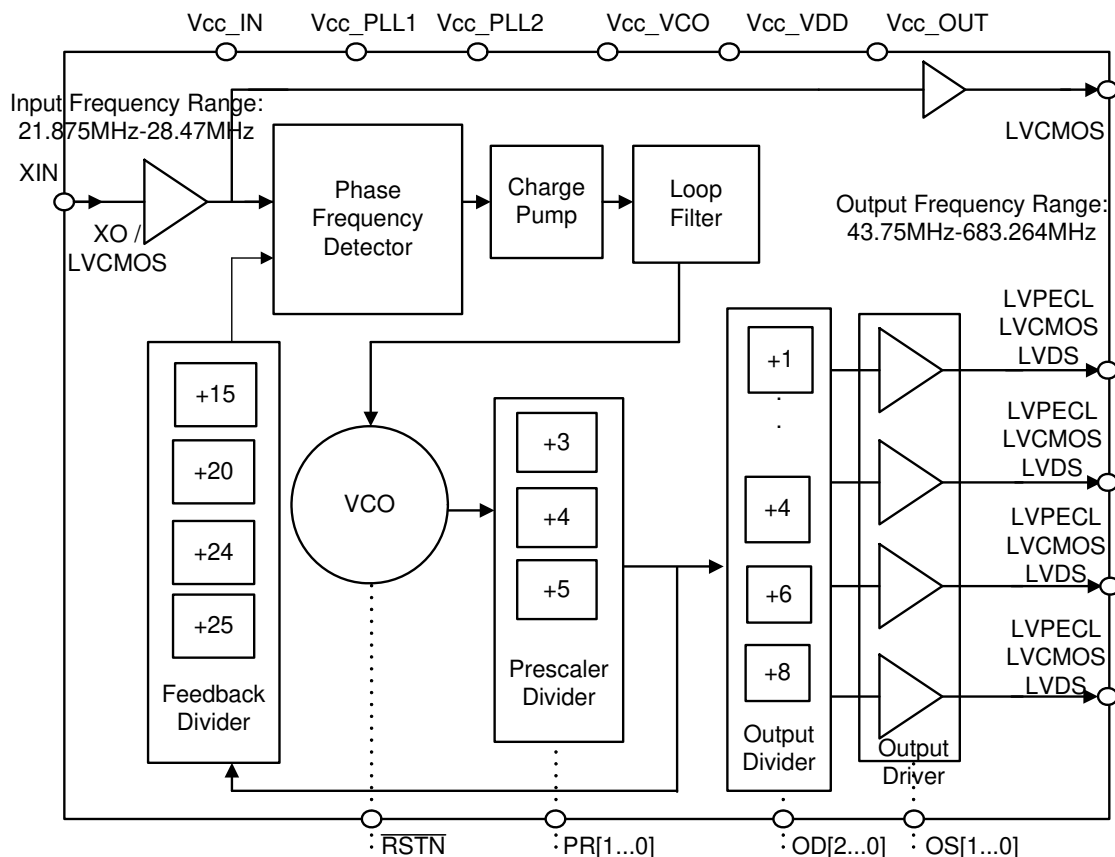
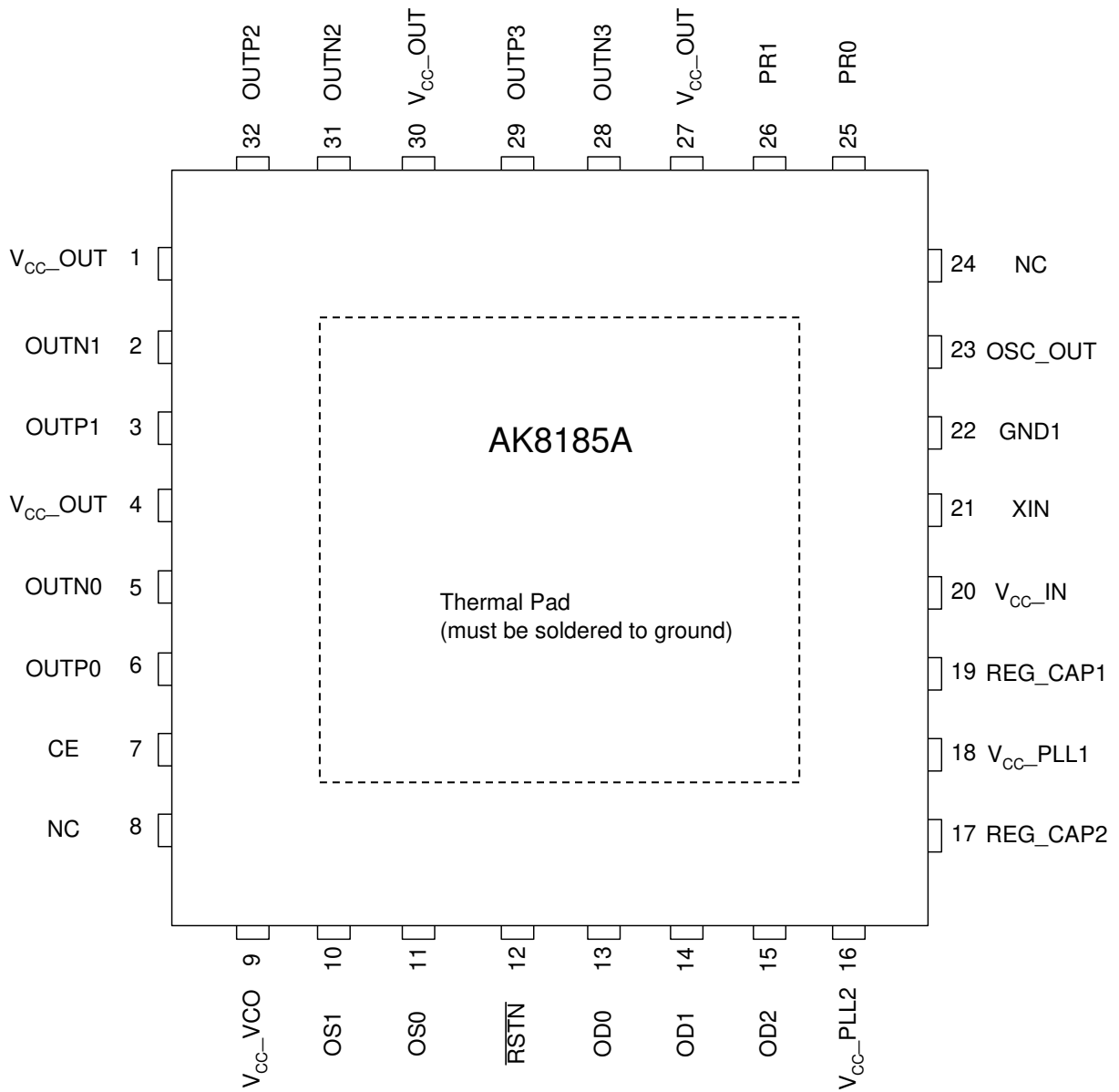


Fig. 1

**- Pin Assignments -**  
**(Top view)**



**Fig. 2**

**- Pin Descriptions -**

Pin No.	Pin Name	Pin Type	Description
1	V <sub>CC_OUT</sub>	PWR	3.3V Power Supply for output buffers
2	OUTN1	OUT	Differential output pair or two single-ended outputs
3	OUTP1	OUT	Differential output pair or two single-ended outputs
4	V <sub>CC_OUT</sub>	PWR	3.3V Power Supply for output buffers
5	OUTN0	OUT	Differential output pair or two single-ended outputs
6	OUTP0	OUT	Differential output pair or two single-ended outputs
7	CE	IN	Chip enable control pin
8	NC		No Connection
9	V <sub>CC_VCO</sub>	PWR	3.3V Power Supply for internal VCO
10	OS1	IN	Output type select control pin
11	OS0	IN	Output type select control pin
12	RSTN	IN	Device reset (active low)
13	OD0	IN	Output divider control pins
14	OD1	IN	Output divider control pins
15	OD2	IN	Output divider control pins
16	V <sub>CC_PLL2</sub>	PWR	3.3V Power Supply for PLL circuitry
17	REG_CAP2	OUT	Capacitor for internal regulator (connect to a 10- $\mu$ F Y5V capacitor to GND)
18	V <sub>CC_PLL1</sub>	PWR	3.3V Power Supply for PLL circuitry
19	REG_CAP1	OUT	Capacitor for internal regulator (connect to a 10- $\mu$ F Y5V capacitor to GND)
20	V <sub>CC_IN</sub>	PWR	3.3V Power Supply for input buffers
21	XIN	IN	Parallel resonant crystal or LVCMOS inputs
22	GND1	Ground	Additional ground for device
23	OSC_OUT	OUT	Bypass LVCMOS output
24	NC		No Connection
25	PR0	IN	Prescaler and Feedback divider control pins
26	PR1	IN	Prescaler and Feedback divider control pins
27	V <sub>CC_OUT</sub>	PWR	3.3V Power Supply for output buffers
28	OUTN3	OUT	Differential output pair or two single-ended outputs
29	OUTP3	OUT	Differential output pair or two single-ended outputs
30	V <sub>CC_OUT</sub>	PWR	3.3V Power Supply for output buffers
31	OUTN2	OUT	Differential output pair or two single-ended outputs
32	OUTP2	OUT	Differential output pair or two single-ended outputs
EPAD	GND	Ground	Thermal Pad (Must be soldered to Ground)



## Absolute Maximum Rating

Over operating free-air temperature range unless otherwise noted <sup>(1)</sup>

Parameter	Value	Unit
Supply voltage range (V <sub>CC_OUT</sub> , V <sub>CC_PLL1</sub> , V <sub>CC_PLL2</sub> , V <sub>CC_VCO</sub> , V <sub>CC_IN</sub> )	-0.3 to 4.3V	V
Input voltage range	GND-0.3 to V <sub>CC</sub> +0.3	V
Input current range	-10 to +10	mA
Storage temperature	-55 to 125	°C

### Note

(1) Stress beyond those listed under “Absolute Maximum Ratings” may cause permanent damage to the device. These are stress ratings only. Functional operation of the device at these or any other conditions beyond those indicated under “Recommended Operating Conditions” is not implied. Exposure to absolute-maximum-rating conditions for extended periods may affect device reliability. Electrical parameters are guaranteed only over the recommended operating temperature range.



## ESD Sensitive Device

This device is manufactured on a CMOS process, therefore, generically susceptible to damage by excessive static voltage. Failure to observe proper handling and installation procedures can cause damage. AKM recommends that this device is handled with appropriate precautions.

## Recommended Operating Conditions

Parameter	Symbol	Min	Typ	Max	Unit
Output supply voltage	V <sub>CC_OUT</sub>	3.0	3.3	3.6	V
PLL supply voltage	V <sub>CC_PLL1</sub>	3.0	3.3	3.6	V
PLL supply voltage	V <sub>CC_PLL2</sub>	3.0	3.3	3.6	V
On-chip VCO supply voltage	V <sub>CC_VCO</sub>	3.0	3.3	3.6	V
Input supply voltage	V <sub>CC_IN</sub>	3.0	3.3	3.6	V
Ambient temperature	T <sub>a</sub>	-40		85	°C

## Electrical Characteristics

All specifications at VDD=VDD\_LVDS=VCP= 3.3V±5%, Ta: -40 to +85°C, unless otherwise noted

Parameter	Conditions	MIN	TYP	MAX	Unit
<b>Control Pin LVCMOS Input Characteristics</b>					
Input high voltage (V <sub>IH</sub> )		0.6V <sub>cc</sub>			V
Input low voltage (V <sub>IL</sub> )				0.4V <sub>cc</sub>	V
Input high current (I <sub>IH</sub> )				200	uA
Input low current (I <sub>IL</sub> )				-200	uA
<b>LVCMOS Output Characteristics</b>					
Bypass output frequency		21.875		28.47	MHz
Output frequency		43.75		250	MHz
Output high voltage		V <sub>cc</sub> -0.5			V
Output low voltage				0.3	
RMS phase jitter	250MHz (10kHz to 20MHz)		0.4		ps, RMS
Output rise/fall slew rate	20% ⇔ 80%	2.4			
Output duty cycle		45		55	%
Skew between outputs			10		ps
<b>LVPECL Output Characteristics</b>					
Output frequency		43.75		683.264	MHz
Output high voltage		V <sub>cc</sub> -1.18		V <sub>cc</sub> -0.73	V
Output low voltage		V <sub>cc</sub> -2		V <sub>cc</sub> -1.55	V
Differential output voltage		0.6		1.23	V
RMS phase jitter	625MHz (10kHz to 20MHz)		0.4		ps, RMS
Output rise/fall slew rate	20% ⇔ 80%			175	ps
Output duty cycle		45		55	%
Skew between outputs			10		ps
<b>LVDS Output Characteristics</b>					
Output frequency		43.75		683.264	MHz
Differential output voltage		0.247		0.454	V
Magnitude change				50	mV
Common-mode voltage		1.125		1.375	V
Magnitude change				50	mV
RMS phase jitter	625MHz (10kHz to 20MHz)		0.4		ps, RMS
Output rise/fall time	20% ⇔ 80%			255	ps
Output duty cycle		45		55	%
Skew between outputs			10		ps

## Typical Output Phase Noise Characteristics

All specifications at VDD=VDD\_LVDS=VCP= 3.3V±5%, Ta: -40 to +85°C, unless otherwise noted

Parameter	Conditions	MIN	TYP	MAX	Unit
<b>250MHz LVCMOS Input Characteristics</b>					
Phase Noise @ 100Hz offset			-85		dBc/Hz
@ 1kHz offset			-113		dBc/Hz
@ 10kHz offset			-123		dBc/Hz
@ 100kHz offset			-125		dBc/Hz
@ 1MHz offset			-136		dBc/Hz
@ 10MHz offset			-154		dBc/Hz
@ 20MHz offset			-154		dBc/Hz
RMS Phase Jitter	10kHz to 20MHz		384		ps, RMS
<b>625MHz LVPECL Output Characteristics</b>					
Phase Noise @ 100Hz offset			-77		dBc/Hz
@ 1kHz offset			-105		dBc/Hz
@ 10kHz offset			-114		dBc/Hz
@ 100kHz offset			-117		dBc/Hz
@ 1MHz offset			-128		dBc/Hz
@ 10MHz offset			-150		dBc/Hz
@ 20MHz offset			-151		dBc/Hz
RMS Phase Jitter	10kHz to 20MHz		387		ps, RMS
<b>625MHz LVDS Output Characteristics</b>					
Phase Noise @ 100Hz offset			-77		dBc/Hz
@ 1kHz offset			-105		dBc/Hz
@ 10kHz offset			-114		dBc/Hz
@ 100kHz offset			-117		dBc/Hz
@ 1MHz offset			-127		dBc/Hz
@ 10MHz offset			-150		dBc/Hz
@ 20MHz offset			-152		dBc/Hz
RMS Phase Jitter	10kHz to 20MHz		395		ps, RMS

**Crystal Characteristics**

<b>Parameter</b>	<b>MIN</b>	<b>TYP</b>	<b>MAX</b>	<b>Unit</b>
Frequency	21.875		28.47	MHz
Equivalent series resistance			50	$\Omega$
On-chip load capacitance		8	10	pF
Drive level	0.1		1	mW
Maximum shunt capacitance			7	pF



**Device Configuration**
**Common Configuration**

Input [MHz]	Prescaler Divider	Feedback Divider	VCO Frequency [MHz]	Output Divider	Output Frequency [MHz]	Application
25	4	20	2000	8	62.5	GigE
24.75	3	24	1782	8	74.25	HDTV
25	3	24	1800	8	75	SATA
24.8832	3	25	1866.24	8	77.76	SONET
25	3	24	1800	6	100	PCI Express
26.5625	3	24	1912.5	6	106.25	Fiber Channel
25	4	20	2000	4	125	GigE
25	3	24	1800	4	150	SATA
24.8832	3	25	1866.24	4	155.52	SONET
25	3	25	1875	4	156.25	10 GigE
26.5625	3	24	1912.5	4	159.375	10-G Fiber Channel
25	5	15	1875	2	187.5	12 GigE
25	3	24	1800	3	200	PCI Express
26.5625	3	24	1912.5	3	212.5	4-G Fiber Channel
25	4	20	2000	2	250	GigE
24.8832	3	25	1866.24	2	311.04	SONET
25	3	25	1875	2	312.5	XGMII
24.8832	3	25	1866.24	1	622.08	SONET
25	3	25	1875	1	625	10 GigE

**Generic Configuration**

Input Frequency Range [MHz]	Prescaler Divider	Feedback Divider	VCO Frequency [MHz]	Output Divider	Output Frequency [MHz]
21.875 to 25.62	4	20	1750 to 2050	8	54.6875 to 64.05
21.875 to 25.62	4	20	1750 to 2050	6	72.92 to 85.4
21.875 to 25.62	4	20	1750 to 2050	4	109.375 to 128.1
21.875 to 25.62	4	20	1750 to 2050	3	145.84 to 170.8
21.875 to 25.62	4	20	1750 to 2050	2	218.75 to 256.2
21.875 to 25.62	4	20	1750 to 2050	1	437.5 to 512.4
23.33 to 27.33	3	25	1750 to 2050	8	72.906 to 85.408
23.33 to 27.33	3	25	1750 to 2050	6	97.21 to 113.875
23.33 to 27.33	3	25	1750 to 2050	4	145.821 to 170.816
23.33 to 27.33	3	25	1750 to 2050	3	194.42 to 227.75
23.33 to 27.33	3	25	1750 to 2050	2	291.624 to 341.632
23.33 to 27.33	3	25	1750 to 2050	1	583.248 to 683.264
23.33 to 27.33	5	15	1750 to 2050	8	43.75 to 51.25
23.33 to 27.33	5	15	1750 to 2050	6	58.33 to 68.33
23.33 to 27.33	5	15	1750 to 2050	4	87.5 to 102.5
23.33 to 27.33	5	15	1750 to 2050	3	116.66 to 136.66
23.33 to 27.33	5	15	1750 to 2050	2	175 to 205
23.33 to 27.33	5	15	1750 to 2050	1	350 to 410
24.305 to 28.47	3	24	1750 to 2050	8	72.915 to 85.41
24.305 to 28.47	3	24	1750 to 2050	6	97.22 to 113.88
24.305 to 28.47	3	24	1750 to 2050	4	145.83 to 170.82
24.305 to 28.47	3	24	1750 to 2050	3	194.44 to 227.76
24.305 to 28.47	3	24	1750 to 2050	2	291.66 to 341.64
24.305 to 28.47	3	24	1750 to 2050	1	583.32 to 683.28

**Programmable Prescaler and Feedback Divider Settings**

Control Inputs		Prescaler Divider	Feedback Divider	PFD Frequency	
PR1	PRO			Minimum	Maximum
0	0	3	24	24.305	28.47
0	1	5	15	23.33	27.33
1	0	3	25	23.33	27.33
1	1	4	20	21.875	25.62

### Programmable Output Divider Settings

Control Inputs			Output Divider
OD2	OD1	OD0	
0	0	0	1
0	0	1	2
0	1	0	3
0	1	1	4
1	0	0	Reserved
1	0	1	6
1	1	0	Reserved
1	1	1	8

### Programmable Output Type

Control Inputs		Output Type
OS1	OS0	
0	0	LVC MOS, OSC_OUT Off
0	1	LVDS, OSC_OUT Off
1	0	LVPECL, OSC_OUT Off
1	1	LVPECL, OSC_OUT On

### Output Enable

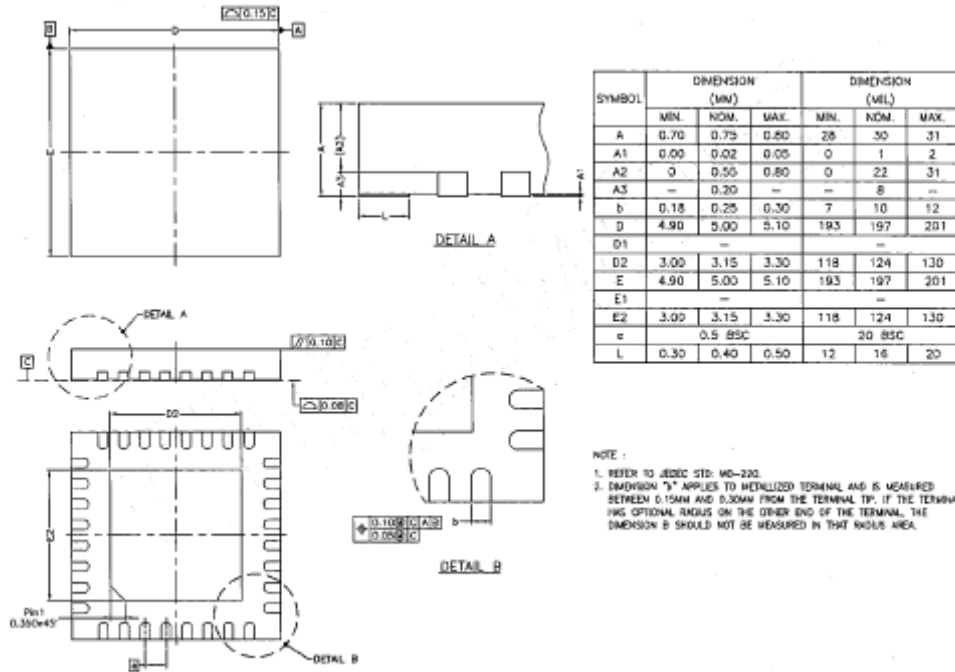
Control Inputs	Operating Condition	Output
CE		
0	Power Down	Hi-Z
1	Normal	Active

### Reset

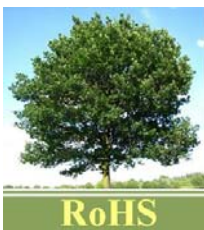
Control Inputs	Operating Condition	Output
RSTN		
0	Device Reset	Hi-Z
0 → 1	PLL Recalibration	Hi-Z
1	Normal	Active

Package Information

• Mechanical data



• RoHS Compliance



All integrated circuits from Asahi Kasei Microdevices Corporation (AKM) assembled in "lead-free" packages\* are fully compliant with RoHS.

(\* RoHS compliant products from AKM are identified with "Pb free" letter indication on product label posted on the anti-shield bag and boxes.

**IMPORTANT NOTICE**

- These products and their specifications are subject to change without notice. When you consider any use or application of these products, please make inquiries the sales office of Asahi Kasei Microdevices Corporation (AKM) or authorized distributors as to current status of the products.
- AKM assumes no liability for infringement of any patent, intellectual property, or other rights in the application or use of any information contained herein.
- Any export of these products, or devices or systems containing them, may require an export license or other official approval under the law and regulations of the country of export pertaining to customs and tariffs, currency exchange, or strategic materials.
- AKM products are neither intended nor authorized for use as critical components<sup>Note1)</sup> in any safety, life support, or other hazard related device or system<sup>Note2)</sup>, and AKM assumes no responsibility for such use, except for the use approved with the express written consent by Representative Director of AKM. As used here:
  - Note1) A critical component is one whose failure to function or perform may reasonably be expected to result, whether directly or indirectly, in the loss of the safety or effectiveness of the device or system containing it, and which must therefore meet very high standards of performance and reliability.
  - Note2) A hazard related device or system is one designed or intended for life support or maintenance of safety or for applications in medicine, aerospace, nuclear energy, or other fields, in which its failure to function or perform may reasonably be expected to result in loss of life or in significant injury or damage to person or property.
- It is the responsibility of the buyer or distributor of AKM products, who distributes, disposes of, or otherwise places the product with a third party, to notify such third party in advance of the above content and conditions, and the buyer or distributor agrees to assume any and all responsibility and liability for and hold AKM harmless from any and all claims arising from the use of said product in the absence of such notification.