



Chipsmall Limited consists of a professional team with an average of over 10 year of expertise in the distribution of electronic components. Based in Hongkong, we have already established firm and mutual-benefit business relationships with customers from,Europe,America and south Asia,supplying obsolete and hard-to-find components to meet their specific needs.

With the principle of “Quality Parts,Customers Priority,Honest Operation,and Considerate Service”,our business mainly focus on the distribution of electronic components. Line cards we deal with include Microchip,ALPS,ROHM,Xilinx,Pulse,ON,Everlight and Freescale. Main products comprise IC,Modules,Potentiometer,IC Socket,Relay,Connector.Our parts cover such applications as commercial,industrial, and automotives areas.

We are looking forward to setting up business relationship with you and hope to provide you with the best service and solution. Let us make a better world for our industry!



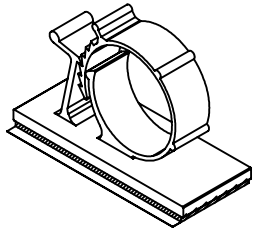
## Contact us

Tel: +86-755-8981 8866 Fax: +86-755-8427 6832

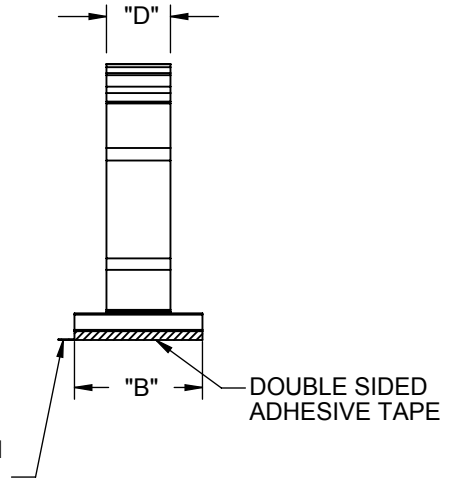
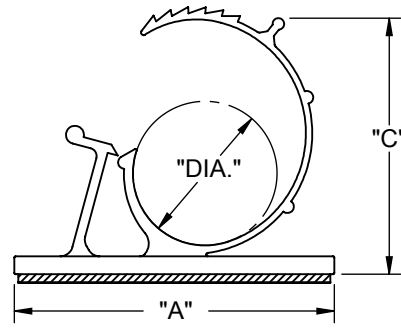
Email & Skype: info@chipsmall.com Web: www.chipsmall.com

Address: A1208, Overseas Decoration Building, #122 Zhenhua RD., Futian, Shenzhen, China





| PART NUMBER    |                | ADHESIVE TAPE                               | BUNDLE Ø RANGE REF.   | "A"±.015 [±0.4] | "B"±.015 [±0.4] | "C" REF.    | "D"        |
|----------------|----------------|---|-----------------------|-----------------|-----------------|-------------|------------|
| UL94 V-2 NYLON | UL94 V-0 NYLON |   |                       |                 |                 |             |            |
| AKKL-2140-01   | AKKL-2140-19   | NONE  | .215-.258 [5.5-6.5]   | .85 [21.6]      | .650 [16.5]     | .708 [18.0] | .39 [10.0] |
| AKKL-2140A-RT  | AKKL-2140A-19  | 1/32" THICK RUBBER TAPE (RMS-136)           |                       |                 |                 |             |            |
| AKKL-3140-01   | AKKL-3140-19   | NONE  | .312-.406 [7.9-10.3]  | 1.00 [25.4]     | .750 [19.1]     | .866 [22.2] | .40 [10.2] |
| AKKL-3140A-RT  | AKKL-3140A-19  | 1/32" THICK ACRYLIC TAPE (RMS-15)           |                       |                 |                 |             |            |
| AKKL-3140-DHB  | -              | .04" THICK HIGH BOND ACRYLIC TAPE (RMS-500) |                       |                 |                 |             |            |
| AKKL-4756-01   | AKKL-4756-19   | NONE  |                       |                 |                 |             |            |
| AKKL-4756A-RT  | AKKL-4756A-19  | 1/32" THICK ACRYLIC TAPE (RMS-15)           | .469-.562 [11.9-14.3] | 1.25 [31.8]     | .750 [19.1]     | 1.09 [27.8] | .50 [12.7] |
| AKKL-4756-DHB  | -              | .04" THICK HIGH BOND ACRYLIC TAPE (RMS-500) |                       |                 |                 |             |            |
| AKKL-5775-01   | AKKL-5775-19   | NONE  | .578-.750 [14.7-19.1] | 1.50 [38.1]     | 1.00 [25.4]     | 1.25 [31.8] | .50 [12.7] |
| AKKL-5775A-RT  | AKKL-5775A-19  | 1/32" THICK ACRYLIC TAPE (RMS-15)           |                       |                 |                 |             |            |
| AKKL-8710-01   | AKKL-8710-19   | NONE  | .875-1.00 [22.2-25.4] | 2.00 [50.8]     | 1.00 [25.4]     | 1.75 [44.5] | .50 [12.7] |
| AKKL-8710A-RT  | AKKL-8710A-19  | 1/32" THICK ACRYLIC TAPE (RMS-15)           |                       |                 |                 |             |            |
| AKKL-10112-01  | AKKL-10112-19  | NONE  | 1.00-1.25 [25.4-31.7] | 2.5 [63.5]      | 1.00 [25.4]     | 2.00 [50.8] | .50 [12.7] |
| AKKL-10112A-RT | AKKL-10112A-19 | 1/16" THICK ACRYLIC TAPE (RMS-15)           |                       |                 |                 |             |            |



NOTES:

1. MATERIAL: UL94 V-2 NYLON 6/6 (RMS-01) OR UL94V-0 NYLON 6/6 (RMS-19)
2. COLOR: NATURAL.
3. STANDARD ACRYLIC ADHESIVE TAPE (RMS-15), WHITE LINER.  
HIGH BOND ACRYLIC TAPE (RMS-500), RED LINER
4. BY SPECIAL ORDER ONLY, RUBBER ADHESIVE TAPE (RMS-102), BLUE LINER,  
TO ORDER USE P/N: AKKL-XXXXA1-RT OR AKKL-XXXXA1-19

|      |   |       |            |   |  |  |  |           |                     |
|------|---|-------|------------|---|--|--|--|-----------|---------------------|
| P    | ADDED -3140-DHB & -4756-DHB PARTS, ECN # 1429 | DZ    | 04/05/2017 | TITLE: <b>ADJUSTABLE KWIK KLIP</b>  |  |  |  |           | UNITS:<br>INCH [mm] |
| O    | SEE CO200773 FOR CHANGES                      | SK    | 04/30/2012 |   |  |  |  |           |                     |
| N    | SEE ECN #952 FOR CHANGES                      | SK    | 02/25/2005 | CREATED USING SOLIDWORKS<br>FILE #: AKKL<br>DWN: SM<br>APP: -<br>SHEET: 1 OF 1<br>SHEET SIZE: A<br>DT: 12/02/2003<br>CHKD: -<br>RE: - |  |  |  | FINAL     |                     |
| M    | SEE ECN #939 FOR CHANGES                      | SK    | 02/10/2005 |   |  |  |  |           |                     |
| L    | SEE ECN #847 FOR CHANGES                      | SM    | 09/10/2004 | TOLERANCES UNLESS NOTED<br>.XX=±.010<br>.XXX=±.005<br>FRAC.=±1/64<br>ANG.=±1°   |  |  |  | PART #    | PRINT TYPE          |
| K    | SEE ECN #750 FOR CHANGES                      | SM    | 01/27/2004 |   |  |  |  |           |                     |
| J    | SEE ECN #733 FOR CHANGES                      | SM    | 12/02/2003 | <b>ESSENTRA</b><br>COMPONENTS   |  |  |  | SEE TABLE | CA                  |
| -    | SEE ENGINEERING FOR REVISION HISTORY (A-I)    | -     | -          |   |  |  |  |           |                     |
| REV. | DESCRIPTION                                   | ENGR. | DATE       |   |  |  |  |           |                     |