



Chipsmall Limited consists of a professional team with an average of over 10 year of expertise in the distribution of electronic components. Based in Hongkong, we have already established firm and mutual-benefit business relationships with customers from,Europe,America and south Asia,supplying obsolete and hard-to-find components to meet their specific needs.

With the principle of “Quality Parts,Customers Priority,Honest Operation,and Considerate Service”,our business mainly focus on the distribution of electronic components. Line cards we deal with include Microchip,ALPS,ROHM,Xilinx,Pulse,ON,Everlight and Freescale. Main products comprise IC,Modules,Potentiometer,IC Socket,Relay,Connector.Our parts cover such applications as commercial,industrial, and automotives areas.

We are looking forward to setting up business relationship with you and hope to provide you with the best service and solution. Let us make a better world for our industry!



Contact us

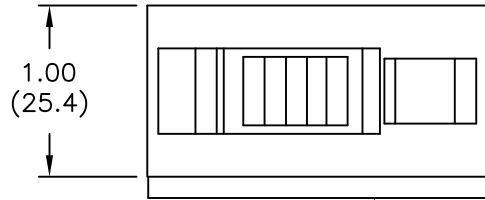
Tel: +86-755-8981 8866 Fax: +86-755-8427 6832

Email & Skype: info@chipsmall.com Web: www.chipsmall.com

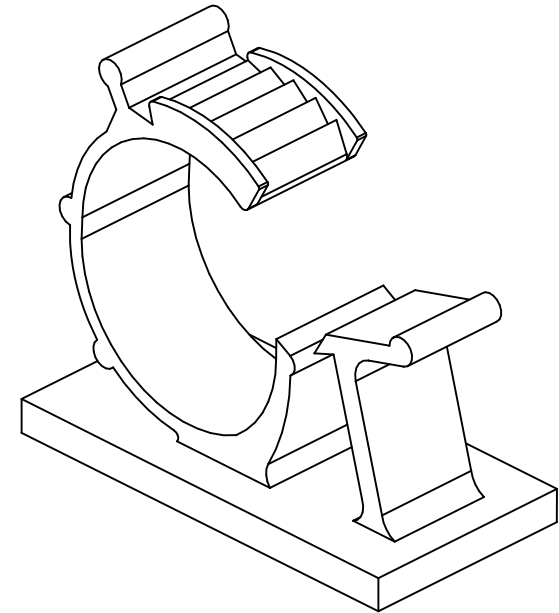
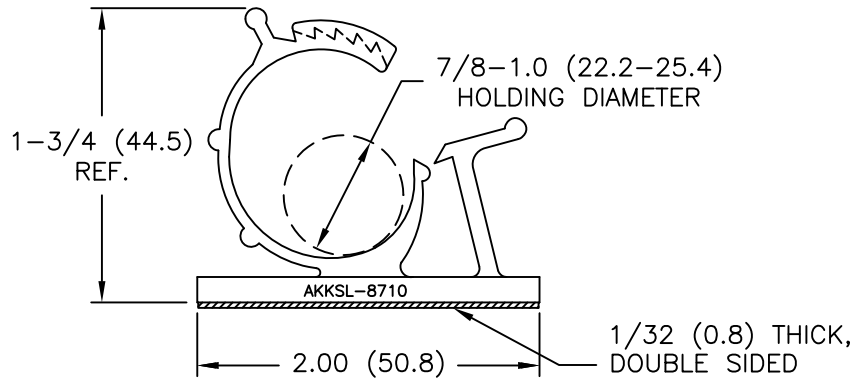
Address: A1208, Overseas Decoration Building, #122 Zhenhua RD., Futian, Shenzhen, China



PART NO.	DESCRIPTION
AKKSL-8710A-RT	W/ ADHESIVE TAPE
AKKSL-8710	WITHOUT TAPE



TYPICAL RELEASE
TAB LOCATION.



NOTES:

1. MATERIAL: NYLON 6/6 (RMS-01).
FLAME RETARDANT, NYLON (RMS-19),
AVAILABLE BY SPECIAL ORDER ONLY.
2. COLOR: NATURAL.
3. ACRYLIC ADHESIVE TAPE (RMS-15),
WHITE LINER.
4. RUBBER ADHESIVE TAPE (RMS-102),
BLUE LINER. AVAILABLE BY SPECIAL
ORDER ONLY. TO ORDER USE
P/N: AKKSL-8710A1-RT-XX

TITLE: ADJUSTABLE KWIK KLIP, SIDE LOCKS		DWG IN IN (MM)		FINAL			
TOLERANCES UNLESS NOTED .XX=±.020 .XXX=±.015 FRAC=±1/64 ANG=±1'		FILE # AKKSL	DWN: J.B.	APP:		PART #	
		MAT'L: SEE NOTES	DT: 11-13-95	DT:		SEE TABLE	
		RE: RICHCO, INC.	RICHCO INC. PO BOX 804238, CHICAGO, 60680 (773) 539-4060				PRINT TYPE CA

REV	DESCRIPTION	ENGR	DATE
D	SEE CO 200691 FOR CHANGES	SK	07.11.11
C	ADDED NOTE 4	SJ	06.03.02
B	UPDATED PRINT AND ADDED NOTE 3.	SM	03.13.02
A	MAT'L RMS-19 ADDED	J.L.	12.10.97