



Chipsmall Limited consists of a professional team with an average of over 10 year of expertise in the distribution of electronic components. Based in Hongkong, we have already established firm and mutual-benefit business relationships with customers from,Europe,America and south Asia,supplying obsolete and hard-to-find components to meet their specific needs.

With the principle of “Quality Parts,Customers Priority,Honest Operation,and Considerate Service”,our business mainly focus on the distribution of electronic components. Line cards we deal with include Microchip,ALPS,ROHM,Xilinx,Pulse,ON,Everlight and Freescale. Main products comprise IC,Modules,Potentiometer,IC Socket,Relay,Connector.Our parts cover such applications as commercial,industrial, and automotives areas.

We are looking forward to setting up business relationship with you and hope to provide you with the best service and solution. Let us make a better world for our industry!



## Contact us

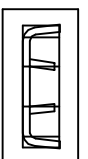
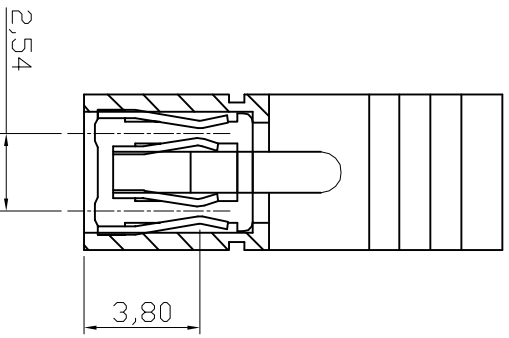
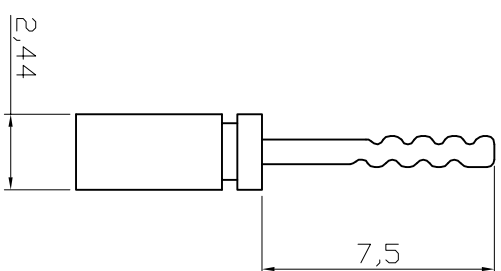
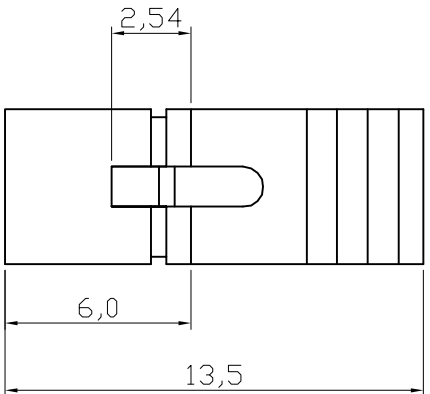
Tel: +86-755-8981 8866 Fax: +86-755-8427 6832

Email & Skype: info@chipsmall.com Web: www.chipsmall.com

Address: A1208, Overseas Decoration Building, #122 Zhenhua RD., Futian, Shenzhen, China



1	2	3	4	5	6	7
---	---	---	---	---	---	---



- NOTES:**
1. Insulation: Nylon 66, UL94V-0
  2. Contact : Brass
  3. Plated: Gold Flash Plated Over Nickel
  4. Current Rating: 3A Max
  5. Dielectric Voltage: 1000V rms / 1 minute
  6. Insulation Resistance: 1000M ohm Min.
  7. Contact Resistance: 30m ohm Max.
  8. Operating and Storage Temperature: -40°C ~ +105°C
  9. Mating Cycles: 10 Min.

⑤ AKSPLTx BLACK& AKSPLTx RED

Contact Area Plating:  
G: Gold Flash  
Z: Tinned

**ROHS compliant**  
Unit:mm

Scale	Free																
<b>TOLERANCE</b>																	
.X	±0.38	⑤	Add the order code: AKSPLTx RED	13.01.2014	Winnie	Drawn	21.03.2007	Hellwig	Customer-No.								
.XX	±0.25	④	Order code correction	07.01.2014	Winnie	Approved	07.01.2014	Winnie	ASSMANN WSW-No.	④ AKSPLTx BLACK							
.XXX	±0.13	③	Update	07.06.2013	Winnie				⑤ AKSPLTx RED								
DIM	TOL	②	Update	27.07.2009	Rate				Drawing-No.								
X.°	±1°								ASS 0327 CO								
Angle	TOL	①	RoHS compliant added	21.03.2007	Hellwig				Replace								
UNIT	mm	Id.	Modification														

1	2	3	4	5	6	7
---	---	---	---	---	---	---

rev05  
SHEET

