



Chipsmall Limited consists of a professional team with an average of over 10 year of expertise in the distribution of electronic components. Based in Hongkong, we have already established firm and mutual-benefit business relationships with customers from,Europe,America and south Asia,supplying obsolete and hard-to-find components to meet their specific needs.

With the principle of “Quality Parts,Customers Priority,Honest Operation,and Considerate Service”,our business mainly focus on the distribution of electronic components. Line cards we deal with include Microchip,ALPS,ROHM,Xilinx,Pulse,ON,Everlight and Freescale. Main products comprise IC,Modules,Potentiometer,IC Socket,Relay,Connector.Our parts cover such applications as commercial,industrial, and automotives areas.

We are looking forward to setting up business relationship with you and hope to provide you with the best service and solution. Let us make a better world for our industry!



Contact us

Tel: +86-755-8981 8866 Fax: +86-755-8427 6832

Email & Skype: info@chipsmall.com Web: www.chipsmall.com

Address: A1208, Overseas Decoration Building, #122 Zhenhua RD., Futian, Shenzhen, China



Upgraded KT4, KT8 and KT9 models Improved visibility, operability and performance!

Upgraded

KT4R series

[48 × 48 × 58.8 mm]
[1.890 × 1.890 × 2.315 in]



Upgraded

KT8R series

[48 × 96 × 58.8 mm]
[1.890 × 3.780 × 2.315 in]



Upgraded

KT9R series

[96 × 96 × 58.8 mm]
[3.780 × 3.780 × 2.315 in]



KT2 series

[48 × 24 × 98.5 mm]
[1.890 × 0.945 × 3.878 in]



KT7 series

[22.5 × 75 × 100 mm]
[0.886 × 2.953 × 3.937 in]



KT4H / KT4B series

[48 × 48 × 56 mm]
[1.890 × 1.890 × 2.205 in]



Extensive line-up with models to match application and space

Upgraded models Features of KT4R, KT8R and KT9R



Smooth initial setting and setting adjustment

Operation startup can begin after using initial setting mode to enter the control values required before first use, and after entering values for items such as frequently used and frequently changed settings. Smooth operation is enabled at initial startup and after changing settings.

Built-in easy programming function

Easy programmed control made possible using nine-step setting procedure. By entering specific target values for each indicated period, freely selectable temperature control is possible.

Example: From start of programmed control

- ① Perform control so it becomes 200 °C 392 °F after 1 hour.
- ② Maintain 200 °C 392 °F until after 2 hours
- ③ Perform control so it becomes 300 °C 572 °F after 30 minutes.

Step	1	2	3	4	5
SV (°C / °F)	200 / 392	200 / 392	300 / 572	300 / 572	0 / 32
Time	1:00	2:00	0:30	1:00	2:00
Wait (°C / °F)	10 / 50	0 / 32	10 / 50	0 / 32	0 / 32

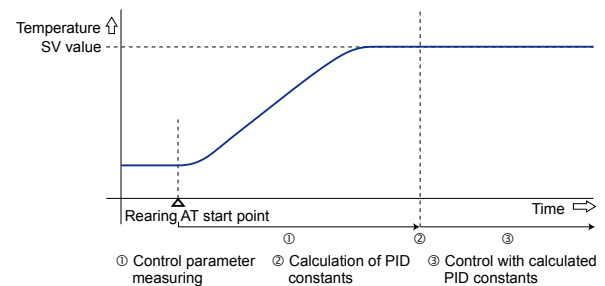
Fine control of heat capacity

Sampling period rate half (1/2 times) from previous model: high speed 125 ms processing implemented. With twice the responsiveness, it is possible to more finely carry out control, for example, of the heat capacity.

Built-in rearing auto tuning function

The built-in rearing auto tuning function uses the step response method. From temperature rise behavior alone, it can calculate the PID constants. It is possible to calculate constants, even when auto tuning cannot be used to generate them.

Because an ON / OFF operation is unnecessary, there is no disruption in control.



Other features

- Visibility and operability improved with large display and key size.
- Unit 60 mm 2.362 in approx. long: compact design saves space.
- With DC current output, can be used as simple signal converter.

Shared features of KT series

Multi-input sensors

Versatile thermocouple, RTD, DC voltage and DC current input for temperature detecting sensors

Simple operation enables highly accurate temperature control

All required operations can be enabled by the front keys and highly accurate PID control mode ensures an input span of $\pm 0.2\%$.

DIN Rail mounting types are aligned taking global market demand into consideration (for KT7 series)

The KT7 series is equipped with DIN rail mounting complying to DIN standards. Furthermore, because its control panel is compact, the KT7 series saves space.

Nine step pattern control possible. (for KT2 series)

For KT2 series, despite DIN 48 x 24 size, selection is possible of control with fixed set point and nine step pattern control.

Meets market demands for cost-effectiveness

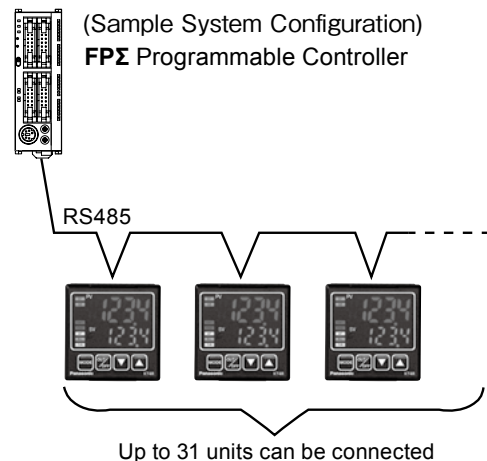
The KT series offers both economy and high performance.

The KT series complies with UL/c-UL standard and CE marking.

Improved visibility and ease of operation More compact than before

The KT4H / KT4B series features improved visibility with a process value (PV) character height of 12 mm 0.472 in and an 11-segment display. Connectable to a PC, it offers a full range of control and communication functions.

Communication specification uses RS485 (Modbus protocol)



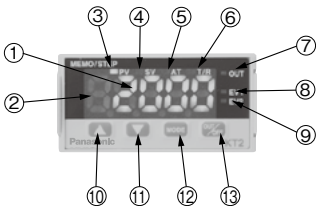
*1 Only on type equipped with communications function.

*2 In the configuration above, the FPG requires a communication cassette (FPG-COM3).

*3 Modbus protocol is a communication protocol developed for PLCs by Modicon Inc.

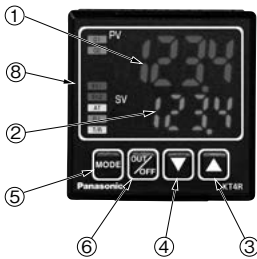
PARTS AND FUNCTIONS

■ KT2 series



- ① PV / SV display (red)Indicates the process value (PV) and setting value (SV).
During setting mode, characters and setting value of the setting item are indicated in turn.
- ② MEMO / STEP display (green).....Indicates the memory number during fixed value control. Indicates step number during program control.
- ③ PV indicator (red)Lights up when the input value is indicated.
- ④ SV indicator (green)Lights up when main setting value is indicated.
- ⑤ AT indicator (yellow).....Flashes during auto-tuning (AT)
- ⑥ T / R indicator (yellow)Flashes during serial communication (Lit while sending data, Unlit while receiving data)
- ⑦ OUT indicator (green)Lights up when control output or OUT1 (heating side) output (option: heating / cooling control) is ON.
For DC current output type, it flashes corresponding to the manipulated variable in a 0.25 second cycle
- ⑧ EV1 indicator (red)Lights up when event output 1 or OUT2 (cooling side) output (option: heating / cooling control) is ON.
- ⑨ EV2 indicator (red)Lights up when event output 2 is ON.
- ⑩ Increase keyIncreases the numeric value.
- ⑪ Decrease keyDecreases the numeric value.
- ⑫ Mode keySelects the setting mode or registers the setting value.
By pressing the mode key, the setting value or selected value can be registered
- ⑬ OUT / OFF keyThe control output OUT / OFF or program control RUN / STOP can be switched.

■ KT4R series



■ KT8R series

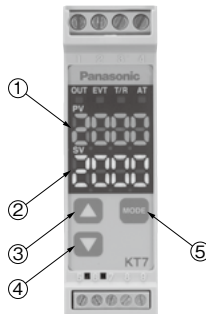


- ① PV display.....Indicates the process value (PV).
- ② SV display.....Indicates the setting value (SV)
- ③ Increase keyIncreases the numeric value
- ④ Decrease keyDecreases the numeric value
- ⑤ Mode keySelects the setting mode or registers the setting value.
- ⑥ OUT / OFF keyThe control output ON / OFF, auto / manual control function or program control can be switched. (Not available in KT7 series)
- ⑦ STEP / MEMO display ... Indicates the step number (program control) and set value memory number (for KT8R and KT9R)
- ⑧ Action indicators (Not available in KT7 series)
 - O1.....Lights up when control output 1 is ON.
Lights up when heating control output (option) is ON.
For DC power output type, it flashes corresponding to the manipulated variable in a 125 ms cycle
 - O2.....Lights up when cooling control output (option) is ON.
 - EV1.....Lights when Alarm 1 output is ON.
 - EV2 ...Lights when Alarm 2 output (option) is ON.
 - ATFlashes during auto-tuning or auto-reset
 - T/R.....Lights during serial communication (option) TX output. (for KT4R only)

■ KT9 series

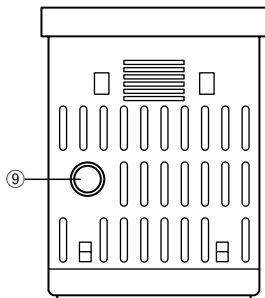
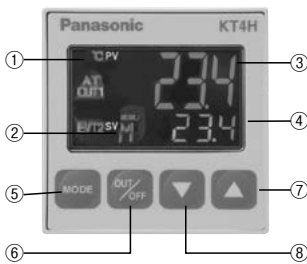


■ KT7 series



Note 1: Color selection is the same for each size.

■ KT4H / KT4B series



(Bottom side)

- ① Action indicators (backlight: orange)
 - °F °CLights respectively when temperature unit °F / °C is selected
 - T / R.....Lights during serial communication (option) TX output.
 - ATFlashes during auto-tuning or auto-reset
 - OUT1Lights when control output is ON or heating output (option) is ON.
For DC current output type, it flashes corresponding to the manipulated variable in 0.25 second cycles.
 - OUT2.....Lights when cooling output (option) is ON.
 - EVT1Lights when alarm 1 output is ON.
 - EVT2Lights when alarm 2 output (option) is ON or heater burnt out alarm output (option) is ON.
 - LOCK.....Lights when lock 1, lock 2 or lock 3 is selected.
- ② MEMO displayIndicates the set value memory number. (backlight: green)
- ③ PV display.....Indicates the process value (PV). (backlight: red / orange / green)
- ④ SV display.....Indicates the set value (SV). (backlight: green)
- ⑤ Mode keySelects the setting mode and registers the set value.
- ⑥ OUT / OFF key ...The control output ON / OFF or auto / manual control function can be switched.
- ⑦ Increase keyIncreases the numeric value
- ⑧ Decrease keyDecreases the numeric value
- ⑨ Tool connector.....By connecting the dedicated cable, the following operations can be conducted from the external computer.
 - Reading and setting of SV, PID and various set values
 - Reading of PV and action status
 - Function change

PRODUCT TYPES

■ KT2 series (Ash grey)

Base model	Power supply	Sensor input	Control output	Alarm output	Heating / cooling	Heater burnout	Communication function	Description						
AKT2	1 2	1	1	1	0	0	Blank	48 × 24 × 98.5 mm 1.890 × 0.945 × 3.878 in						
								100 to 240 V AC	Must be specified					
	24 V AC / DC													
	Multi-input (Thermocouple, RTD, DC voltage and DC current)													
	Relay contact output 1a 250 V AC 3 A													
	Non-contact voltage output (for SSR drive)													
	DC current													
	When both heating / cooling and communication functions are not added													
	Relay contact output (alarm 1) Can be used Open collector output (alarm 2) Can be used													
	When only heating / cooling function is added													
Relay contact output (alarm 1) Cannot be used Open collector output (alarm 2) Can be used														
When only communication function is added														
Relay contact output (alarm 1) Can be used Open collector output (alarm 2) Cannot be used														
When both heating / cooling and communication functions are added														
Relay contact output (alarm 1) Cannot be used Open collector output (alarm 2) Cannot be used														

Notes: 1) When heating / cooling is selected, alarm output 1 cannot be used.

2) When the communication function is selected, alarm output 2 cannot be used.

Model No. search method

Example: Basic functions + optional functions (Heating / cooling: relay contact output + communication function)

• For **KT2** series, the option function is only the following 4 patterns.

AKT2*1*200 Blank **AKT2*1*1001**

AKT2*1*110 Blank **AKT2*1*0101**

• Model No.: **AKT21110101**

Options Please refer to page 15.

Product name	Model No.
Shunt resistor (for current input)	AKT4810
Terminal cover	AKT2801

Note: When current input is specified, a shunt resistor (sold separately) is required.

■ KT4R series (Black)

Base model	Power supply	Sensor input	Control output	Alarm output	Heating / cooling	Heater burnout	Communication function	Model No.				
AKT4R	1 (100 to 240 V AC)	1 (multi-input)	1 (Relay contact)	1 (1 point)	0 (Not available)	0 (Not available)	Blank (Not available)	AKT4R111100				
				2 (2 points) (Note)			1 (serial communication RS-485)	AKT4R1111001				
				2 (Non-contact voltage)			1 (1 point)	Blank (Not available)	AKT4R111200			
							2 (2 points)	1 (serial communication RS-485)	AKT4R1112001			
			Blank (Not available)							AKT4R112100		
			1 (serial communication RS-485)							AKT4R1121001		
			Blank (Not available)							AKT4R112200		
			1 (serial communication RS-485)							AKT4R1122001		

Note: Using EV2 assigned settings, use for heating and cooling control is possible.

Options Please refer to page 15.

Product name	Model No.
Terminal cover	AKT4H801

Note: Since a shunt resistor is built in, a separately sold shunt resistor is not required when DC current input is specified.

Product name	Model No.
Installation frame	For KT4R / KT4H / KT4B AKW4822

■ **KT8R series (Black)**

Base model	Power supply	Sensor input	Control output	Alarm output	Heating / cooling	Heater burnout	Model No.
AKT8R	1 (100 to 240 V AC)	1 (Multi-input)	1 (Relay contact)	1 (1 point)	0 (Not available)	0 (Not available)	AKT8R111100
				2 (2 points) (Note)			AKT8R111200
			2 (Non-contact voltage)	1 (1 point)			AKT8R112100
				2 (2 points) (Note)			AKT8R112200

Note: Using EV2 assigned settings, use for heating and cooling control is possible.

Options Please refer to page 15.

Product name	Model No.
Terminal cover	AKT8R801

Product name		Model No.
Installation frame	For KT8R	AKW8822

Note: Since a shunt resistor is built in, a separately sold shunt resistor is not required when DC current input is specified.

■ **KT9R series (Black)**

Base model	Power supply	Sensor input	Control output	Alarm output	Heating / cooling	Heater burnout	Model No.
AKT9R	1 (100 to 240 V AC)	1 (Multi-input)	1 (Relay contact)	1 (1 point)	0 (Not available)	0 (Not available)	AKT9R111100
			3 (DC current)	1 (1 point)			AKT9R113100

Options Please refer to page 15.

Product name	Model No.
Terminal cover	AKT9R801

Note: Since a shunt resistor is built in, a separately sold shunt resistor is not required when DC current input is specified.

■ **KT7 series (Ash grey)**

Base model	Power supply	Sensor input	Control output	Alarm output	Heating / cooling	Heater burnout	Communication function	Description
AKT7	1	1	1	1	1	0	Blank	22.5 × 75 × 100 mm 0.886 × 2.953 × 3.937 in
								2
	2							24 V AC / DC
	1							Multi-input (Thermocouple, RTD, DC voltage and DC current)
	1							Relay contact output 1a 250 V AC 3 A
	2							Non-contact voltage output (for SSR drive)
	3							DC current
	1							Open collector output (alarm output 1)
	0							Not available (without heating / cooling function)
	0							Not available
	1							5 A (not available for the DC current type) Open collector output
	2							10 A (not available for the DC current type) Open collector output
	3							20 A (not available for the DC current type) Open collector output
	4							50 A (not available for the DC current type) Open collector output
Blank	Not available							
1	Available							

Notes: 1) CT1 or CT2 for current transformer is provided as an accessory when heater burnout alarm function is added.

2) When adding alarm output 1 and heater burnout alarm at the same time, it'll be common output.

Model No. search method

Example: When the additional function (heater burnout alarm: 10 A) is added on to the basic function

• Model No.: **AKT7111102**

Options Please refer to page 15.

Product name	Model No.
Shunt resistor (for current input)	AKT4811
DIN rail	ATA48011
Fastening plate	ATA4806

Note: When current input is specified, a shunt resistor (sold separately) is required.

KT SERIES Temperature Controller

■ KT4H series (Ash grey)

Base model	Power supply	Sensor input	Control output	Alarm output	Heating / cooling	Heater burnout	Communication function	Description						
AKT4H	1 2	1	1	1	1	0	Blank	100 to 240 V AC						
								24 V AC / DC						
	Multi-input Thermocouple, RTD, DC current and DC voltage													
	Relay contact													
	Non-contact voltage (Voltage output for SSR drive)													
	DC current Heater burnout alarm: not possible													
	1 point (1a)													
	2 points (1a + 1a) Heating / cooling control output: not possible													
	Not available													
	Relay contact Heater burnout alarm: not possible													
	Non-contact voltage (Voltage output for SSR drive) Heater burnout alarm: not possible													
	Not available													
	Single phase 20 A (Heater burnout alarm not supported when control output is DC current type / Not supported when heating / cooling control is selected)													
	Single phase 50 A (Heater burnout alarm not supported when control output is DC current type / Not supported when heating / cooling control is selected)													
	Three phase 20 A (Heater burnout alarm not supported when control output is DC current type / Not supported when heating / cooling control is selected)													
	Three phase 50 A (Heater burnout alarm not supported when control output is DC current type / Not supported when heating / cooling control is selected)													
	Blank Not available													
1 Serial communication RS485														
2 Contact input														

Notes: 1) CT1 or CT2 for current transformer is provided as an accessory when heater burnout alarm is added.

2) Under some conditions, option functions (shaded items) may not be available; please check the "Description" of the above table for non-functioning circumstances.

Model No. search method

Example: When the optional functions (heating / cooling: relay contact, communication function: serial communication) are added on to the basic function

• Model No.: **AKT4H111101**

■ KT4B series (Black)

Base model	Power supply	Sensor input	Control output	Alarm output	Heating / cooling	Heater burnout	Communication function	Model No.
AKT4B	1 (100 to 240 V AC)	1 (Multi-input)	1 (Relay contact)	1 (1 point)	0 (Not available)	0 (Not available)	Blank (Not available)	AKT4B111100
							1 (Serial communication)	AKT4B111001
							Blank (Not available)	AKT4B111200
							1 (Serial communication)	AKT4B1112001
							Blank (Not available)	AKT4B112100
							1 (Serial communication)	AKT4B1121001
			Blank (Not available)	AKT4B112200				
			1 (Serial communication)	AKT4B1122001				
			Blank (Not available)	AKT4B113100				
			1 (Serial communication)	AKT4B1131001				
			Blank (Not available)	AKT4B113200				
			1 (Serial communication)	AKT4B1132001				

Notes: 1) Please inquire if you need specifications not included in the model numbers above. On our website, it is easy to find products by model number selection or by searching for specifications.

2) Use RS485 for serial communication.

Options (Common for KT4H and KT4B) Please refer to page 15.

Product name	Model No.
Shunt resistor (for current input)	AKT4810
Terminal cover	AKT4H801
Tool cable	AKT4H820
Installation frame	For KT4R / KT4H / KT4B AKW4822

Note: When current input is specified, a shunt resistor (sold separately) is required.

Setting software

Product name	Description	Remark
KT Monitor	Editing of all types of data and file saving Monitoring of indicated value and saving of log files	Available for download free of charge from our website.

Note: Please download the user manual from our website.

KT Monitor

Available for download free of charge from our website. Use it to collect data from the **KT4H / KT4B** temperature controller.

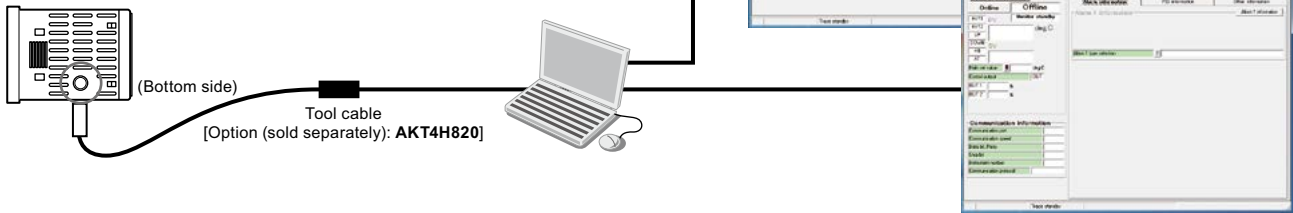


■ Features

1. Parameters can be set from a PC.
2. Measurement data can be monitored from a PC.
3. Measurement data can be logged to a PC.

All data settings and temperature profile display

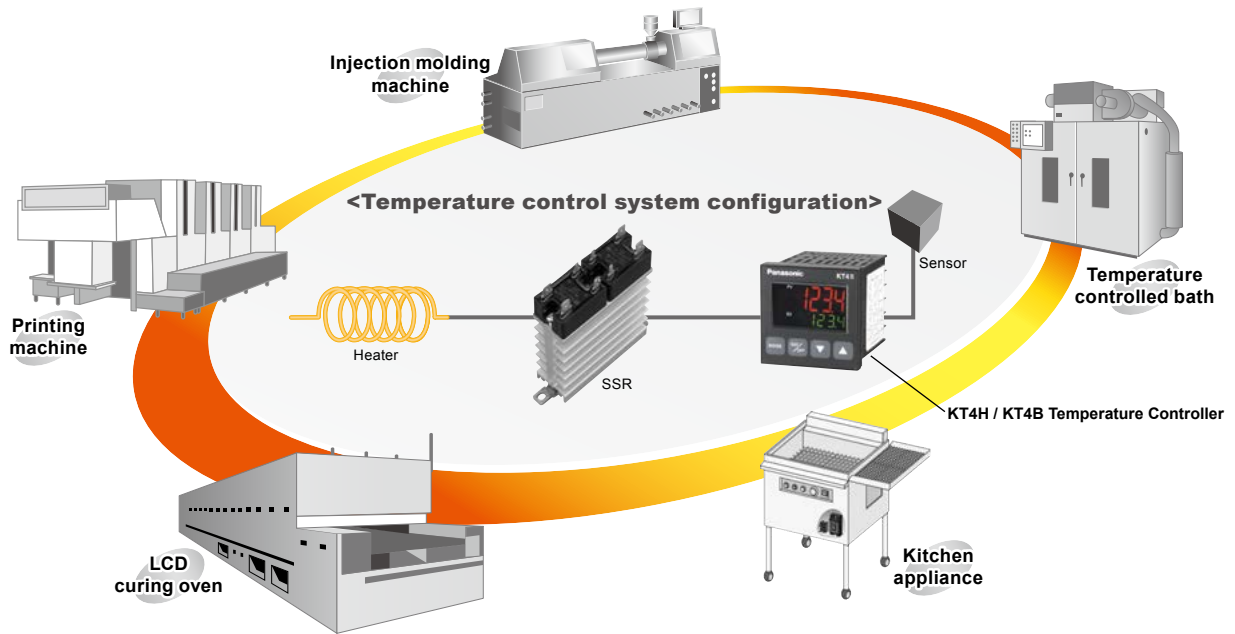
When free setting software (KT Monitor) and dedicated tool cable are used, you can edit data and so on easily.



Please download the setting software (**KT Monitor**) from our website.

APPLICATIONS

Contributing to space saving, cost saving, and effort saving of various heater control systems



RATING

■ Performance outline

Item	Specifications						
	KT2	KT4R	KT8R	KT9R	KT7	KT4H / KT4B	
Size	48 × 24 mm 1.890 × 0.945 in	48 × 48 mm 1.890 × 1.890 in	48 × 96 mm 1.890 × 3.780 in	96 × 96 mm 3.780 × 3.780 in	22.5 × 75 mm 0.886 × 2.953 in	48 × 48 mm 1.890 × 1.890 in	
Rating power supply (Must be specified)	100 to 240 V AC 24 V AC / DC		100 to 240 V AC		100 to 240 V AC 24 V AC / DC		
Rating frequency	50 / 60Hz						
Rating power consumption	5 VA approx.	8 VA approx.		6 VA approx.		8 VA approx.	
Rating scale	Input type		Input range				
	Thermocouple	K	-200 to 1,370 °C (-320 to 2,500 °F) -199.9 to 400.0 °C (-199.9 to 750.0 °F)	-200 to 1,370 °C (-328 to 2,489 °F)		-200 to 1,370 °C (-320 to 2,500 °F) -199.9 to 400.0 °C (-199.9 to 750.0 °F)	
		J	-200 to 1,000 °C (-320 to 1,800 °F)	-200 to 1,000 °C (-328 to 1,832 °F)		-200 to 1,000 °C (-320 to 1,800 °F)	
		R	0 to 1,760 °C (0 to 3,200 °F)	0 to 1,760 °C (0 to 3,200 °F)		0 to 1,760 °C (0 to 3,200 °F)	
		S	0 to 1,760 °C (0 to 3,200 °F)	0 to 1,760 °C (0 to 3,200 °F)		0 to 1,760 °C (0 to 3,200 °F)	
		B	0 to 1,820 °C (0 to 3,300 °F)	0 to 1,820 °C (32 to 3,308 °F)		0 to 1,820 °C (0 to 3,300 °F)	
		E	-200 to 800 °C (-320 to 1,500 °F)	-200 to 800 °C (-328 to 1,472 °F)		-200 to 800 °C (-320 to 1,500 °F)	
		T	-199.9 to 400.0 °C (-199.9 to 750.0 °F)	-200.0 to 400.0 °C (-328.0 to 752.0 °F)		-199.9 to 400.0 °C (-199.9 to 750.0 °F)	
		N	-200 to 1,300 °C (-320 to 2,300 °F)	-200 to 1,300 °C (-328 to 2,372 °F)		-200 to 1,300 °C (-320 to 2,300 °F)	
	PL-II	0 to 1,390 °C (0 to 2,500 °F)	0 to 1,390 °C (32 to 2,534 °F)		0 to 1,390 °C (0 to 2,500 °F)		
	C (W / Re5-26)	0 to 2,315 °C (0 to 4,200 °F)	0 to 2,315 °C (32 to 4,199 °F)		0 to 2,315 °C (0 to 4,200 °F)		
	RTD	Pt100	-200 to 850 °C (-300 to 1,500 °F) -199.9 to 850.0 °C (-199.9 to 999.9 °F)	-200 to 850 °C (-328 to 1,562 °F)		-200 to 850 °C (-300 to 1,500 °F) -199.9 to 850.0 °C (-199.9 to 999.9 °F)	
		JPt100	-200 to 500 °C (-300 to 900 °F) -199.9 to 500.0 °C (-199.9 to 900.0 °F)	-200 to 500 °C (-328 to 932 °F)		-200 to 500 °C (-300 to 900 °F) -199.9 to 500.0 °C (-199.9 to 900.0 °F)	
	DC	Current	4 to 20 mA DC	-2,000 to 10,000		-1,999 to 9,999 -199.9 to 999.9 -19.99 to 99.99 -1.999 to 9.999	
			0 to 20 mA DC				
Voltage		0 to 1 V DC					
		0 to 10 V DC					
		0 to 5 V DC					
<ul style="list-style-type: none"> • Scaling and change to the decimal point position is possible for DC current input and DC voltage input. • DC current input of KT2 / KT7 / KT4H / KT4B is supported with an externally connected 50 Ω shunt resistor (sold separately). 							
Multi-input	Thermocouple	K, J, R, S, B, E, T, N, PL-II, C (W / Re5-26) External resistor: Max. 100 Ω (Max. 40 Ω external resistor for B input)					
	RTD	Pt100, JPt100 3-conductor system (Allowable input conductor resistance for each conductor: Max. 10 Ω)					
	DC current	0 to 20 mA DC	Input impedance: 50 Ω (For KT2 / KT7 / KT4H / KT4B , connect 50 Ω shunt resistor between input terminals.)				
		4 to 20 mA DC	Allowable input current: Max. 50 mA (For KT2 / KT7 / KT4H / KT4B , when 50 Ω shunt resistor is used)				
	DC voltage	0 to 1 V DC	Input impedance: Min. 1 MΩ, Allowable input voltage: Max 5 V, Allowable signal source resistance: Max. 2 kΩ				
0 to 5 V DC		Input impedance: Min. 100 kΩ, Allowable input voltage: Max 15 V, Allowable signal source resistance: Max. 100 Ω					
0 to 10 V DC							
Control output	Relay contact	1a					
	Non-contact voltage (voltage output for SSR drive)	(Must be specified)	3 A 250 V AC (at resistive load), 1 A 250 V AC (at inductive load cos φ = 0.4), Electrical life: 100,000 times			12 ^{±2} V DC, Max. load current: 40 mA (with short circuit protection circuit)	
						12 V DC ±15 % Max. load current: 40 mA (with short circuit protection circuit)	
DC current	4 to 20 mA DC, Load resistance: Max. 550 Ω						
Alarm output 1 (EV1)	Relay contact 1a 3 A 250 V AC (Resistive load) 1a 1 A 250 V AC (cosφ=0.4) Electrical life: 100,000 times			Open collector control capacity: 24 V DC 0.1 A (Max.)	Relay contact 1a: Control capacity: 3 A 250 V AC (Resistive load), Electrical life: 100,000 times		
Alarm output 2 (EV2)	Open collector: 0.1 A 24 V DC	Same as Alarm output 1		Not available	Not available	Same as Alarm output 1	
Control method	PID action (with auto-tuning function), PI action, PD action (with manual reset function), P action (with manual reset function), ON / OFF action						
Target temperature setting	Primary setting / secondary setting (switched by external terminal)					Primary setting / secondary setting / third setting / fourth setting (switched by external terminal)	
Program control function	1 pattern, 9-step setting is possible (However, make function selection setting of either control with fixed set point or program control.)						
Indication accuracy	Thermocouple	Within ± (0.2 % + 1 digit) of each input span or within ±2 °C (4 °F) whichever is greater However, R or S input; within ±6 °C (12 °F) in the range of 0 to 200 °C (32 to 392 °F) B input, range of 0 to 300 °C (32 to 572 °F): accuracy is not guaranteed. K, J, E, T, and N input, less than 0 °C (32 °F): within ± (0.4 % ±1 digit) of input span					
		RTD	Within ± (0.1 % + 1 digit) of each input span or ±1 °C (2 °F) whichever is greater				
	DC current and DC voltage	Within ± (0.2 % + 1 digit) of each input span					
Sampling period	250 ms	125 ms			250 ms		

Item	Specifications							
	KT2	KT4R	KT8R	KT9R	KT7	KT4H / KT4B		
Hysteresis (ON / OFF)	Thermocouple and RTD: 0.1 to 100.0 °C (°F) DC current and DC voltage: 1 to 1,000 (The decimal point place follows the selection)	Thermocouple and RTD: 0.1 to 1,000.0 °C (°F) DC current and DC voltage: 1 to 10,000 (The decimal point place follows the selection)			Thermocouple and RTD: 0.1 to 100.0 °C (°F) DC current and DC voltage: 1 to 1,000 (The decimal point place follows the selection)			
Proportional band	For sensor input range, DC current and DC voltage: 0.0 to 110.0 %	Input without decimal point: 0 to Input span Input with decimal point: 0.0 to Input span DC current and DC voltage: 0.0 to 1,000.0 %			For sensor input range, DC current and DC voltage: 0.0 to 110.0 %	0 to 1,000 °C (0 to 2,000 °F) Input with decimal point: 0.0 to 1,000.0 °C (0.0 to 1,000.0 °F) DC current and DC voltage: 0.0 to 100.0 %		
Integral time	0 to 1,000 seconds	0 to 3,600 seconds			0 to 1,000 seconds			
Derivative time	0 to 300 seconds	0 to 1,800 seconds			0 to 300 seconds			
Proportional cycle	1 to 120 seconds							
Allowable voltage fluctuation	When 100 to 240 V AC: 85 to 264 V AC, When 24 V AC / DC: 20 to 28 V AC / DC							
Insulated resistance	500 V DC, Min. 10 MΩ							
Breakdown voltage	Between input terminal and power terminal Between output terminal and power terminal 1.5 kV AC for 1 min.							
Malfunction vibration	10 to 55 Hz (1 cycle/min.), single amplitude: 0.35 mm 0.014 in (10 min. on 3 axes)							
Breakdown vibration	10 to 55 Hz (1 cycle/min.), single amplitude: 0.75 mm 0.030 in (1 hour on 3 axes)							
Malfunction shock	X, Y and Z each direction for 5 times 98 m/s ²							
Breakdown shock	X, Y and Z each direction for 5 times 294 m/s ²							
Ambient temperature	0 to 50 °C 32 to 122 °F	-10 to 55 °C 14 to 131 °F			0 to 50 °C 32 to 122 °F			
Ambient humidity	35 to 85 % RH (No condensation)							
Mass	120 g approx.	110 g approx.	160 g approx.	220 g approx.	150 g approx.	120 g approx.		
Waterproof	IP66 (applicable only to the front panel subject to rubber gasket employed)				None	IP66 (applicable only to the front panel subject to rubber gasket employed)		
Display character height	PV: 8.7 mm 0.342 in SV: 8.7 mm 0.342 in (PV / SV switching display)	PV: 12.4 mm 0.488 in SV: 8.8 mm 0.346 in	PV: 14 mm 0.551 in SV: 14 mm 0.551 in	PV: 14 mm 0.551 in SV: 14 mm 0.551 in	PV: 7.4 mm 0.291 in SV: 7.4 mm 0.291 in	PV: 12 mm 0.472 in SV: 6 mm 0.236 in		
Option functions	Heating / Cooling control	Relay contact	Relay contact: 1a 3 A 250 V DC (at resistive load)		Using EV2 assigned setting, use for heating and cooling control is possible.	None	None	1a Control capacity: 3 A 250 V AC (at resistive load), Electrical life: 100,000 times
		Non-contact voltage	_____					
	Heater burnout alarm output	_____				Open collector control capacity: 24 V DC 0.1 A (Max.)	For KT4H only: Specify either single phase 20 A, single phase 50 A, 3 phases 20 A, or 3 phases 50 A for rated heater current. Setting accuracy: within ±5 % of rated heater current. Relay contact: 1a 3 A 250 V AC (at resistive load), Electrical life: 100,000 times	
Communication function	Please refer below to "COMMUNICATION PERFORMANCE OUTLINE". (Not available with KT8R / KT9R)							
Accessories	Installation frame / Mounting bracket	Included with controller				_____	Included with controller	
	Terminal cover	Sold separately				_____	Sold separately	
	Rubber gasket	Included with controller				_____	Included with controller	

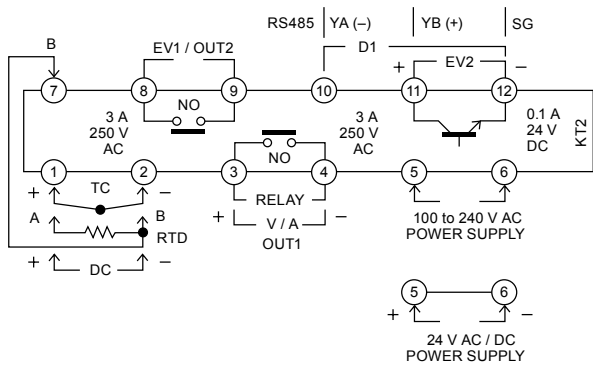
*Tool port: KT4H and KT4B only; cannot be used simultaneously with serial interface C-MOS level serial communication (option). This port can only be used with the tool cable (AKT4H820).

COMMUNICATION PERFORMANCE OUTLINE

Item	Specifications		
	KT2 / KT7	KT4H / KT4B	KT4R
Communication method	Half-duplex		
Communication speed	Select 2400, 4800, 9600 or 19200 bps using key operation.	Select 9600, 19200 or 38400 bps using key operation.	
Synchronous method	Asynchronous		
Protocol	Modbus (RTU, ASCII)	Modbus (RTU, ASCII), MEWTOCOL (Slave)	
Coding	Binary / ASCII		
Error correcting	Command resending		
Error detection	Parity check and check sum		
Data structure	Start bit: 1 Data bit: 7 Parity: Even parity Stop bit: 1	Start bit: 1 Data bit: 7, 8 (For Modbus RTU: 8 only) Parity: Even / Odd / None Stop bit: 1 or 2	
Interface	EIA RS485 compliant		
Number of nodes	31		
Maximum communication distance	1,000 m 3,280.840 ft (cable resistance must be within 50 Ω)		

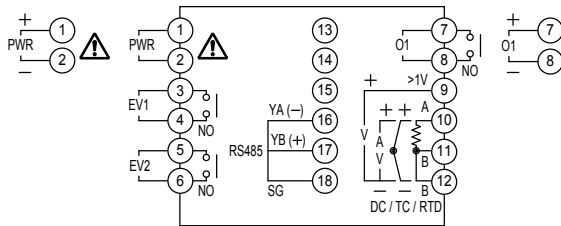
EXTERNAL CONNECTION DIAGRAM

KT2 series



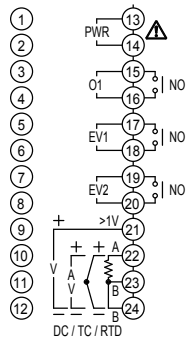
- TC: Input terminal for thermocouple
- RTD: Input terminal for the resistance temperature detector
- DC: Input terminal for DC current or DC voltage
For DC current input, connect a separately sold reception resistor (50 Ω) between the input terminals
- OUT1: Output terminal for the control output or heating output (option: heating / cooling control)
- POWER SUPPLY: Power supply terminal
- EV1 / OUT2: Output terminal for event output 1 or cooling output (option: heating / cooling control)
- EV2: Output terminal for event output 2
- DI: Input terminal for DI input (There are three types of DI input, SV1 / SV2 external switching function, OUT / OFF (RUN / STOP) external switching function, and timer function.)
- RS485: Communication terminal for serial communication. (EV1, EV2: alarm output)

KT4R series



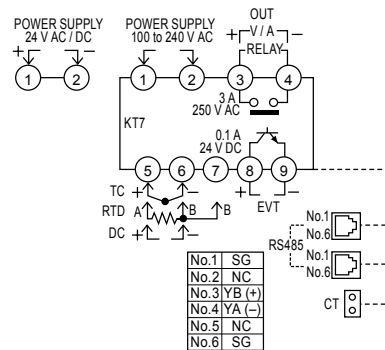
- POWER SUPPLY: Power supply voltage 100 to 240 V AC or 24 V AC / DC (Ensure correct polarity when using DC in AC / DC 24 V.)
- EV1: Event output 1
- EV2: Event output 2 (option)
- O1: Control output OUT1
- TC: Thermocouple input
- RTD: Resistance temperature detector input
- DC: DC voltage input or DC current input
- RS485: Serial communication RS485 (option: C5W)

KT8R / KT9R series



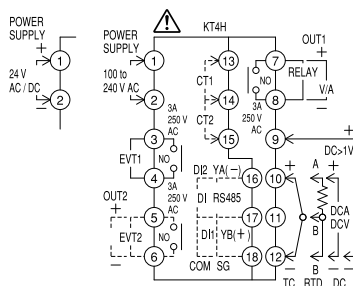
- POWER SUPPLY: Power supply voltage 100 to 240 V AC
- EV1: Event output 1
- EV2: Event output 2 (option)
- O1: Control output OUT1
- TC: Thermocouple input
- RTD: Resistance temperature detector input
- DC: DC voltage input or DC current input

KT7 series



- POWER SUPPLY: Power supply
- OUT: Control output
- RELAY: Relay contact output
- V / A: DC voltage output / DC current output
- EVT: Event output [Outputs when alarm, loop fault alarm or heater burnout alarm (option) goes ON.]
- TC: Thermocouple
- RTD: Resistance temperature detector
- DC: DC current or DC voltage
- RS485: Serial communication
- CT: CT input

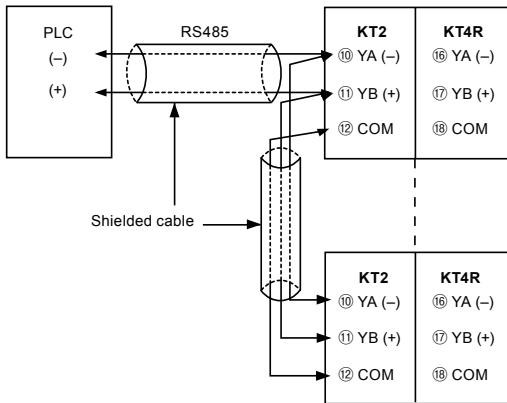
KT4H / KT4B series



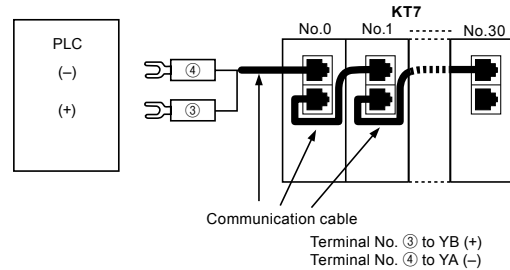
- POWER SUPPLY: Power supply voltage
- EVT1: Alarm 1 output
- EVT2: Alarm 2 output (option) or heater burnout : Alarm output (option)
- OUT1: Control output or heating output (option)
- OUT2: Cooling output (option)
- TC: Thermocouple input
- RTD: Resistance temperature detector input
- DC: DC current input (DCA) or DC voltage input (DCV) (For DC voltage input, + side connection terminal differs depending on the voltage. Also, for DC current input, connect a shunt resistor between No. 10 and 12 terminals.)
- CT1: Current transformer input 1 (option: for single phase and three phases)
- CT2: Current transformer input 2 (option: for three phases)
- DI: Contact input (option)
- RS485: Serial communication RS485 (option)

COMMUNICATION FUNCTION CONNECTION DIAGRAM (PLC Connection Diagram)

■ KT2 / KT4R series

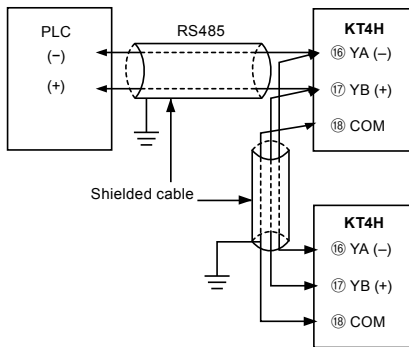


■ KT7 series



- Notes: 1) Terminating resistors (Terminators)
 The **KT** series has a built-in pull-up resistor or pull-down resistor, which serves as the terminating resistor. For this reason, do not connect the terminating resistor on the communication line.
 2) Please use a RJ-11 6 polarized type modular connector.
 Please use a cable that is suitable for a modular connector. (Only **KT7** series)

■ KT4H / KT4B series

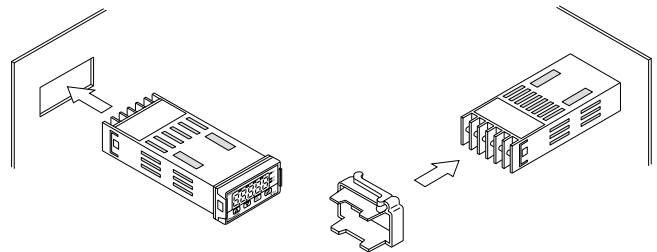


- Notes: 1) Shielded cable
 To prevent current flow along shield sections, ground one end of the shield cable. (If both ends of the shield section are grounded, a closed circuit with the earth will form and electricity flowing through the shield cable will cause increased susceptibility to noise.)
 2) Terminating Resistors (Terminators)
 The **KT4H / KT4B** series has a built-in pull-up resistor or pull-down resistor. For this reason, do not connect the terminating resistor on the communication line.

INSTALLATION

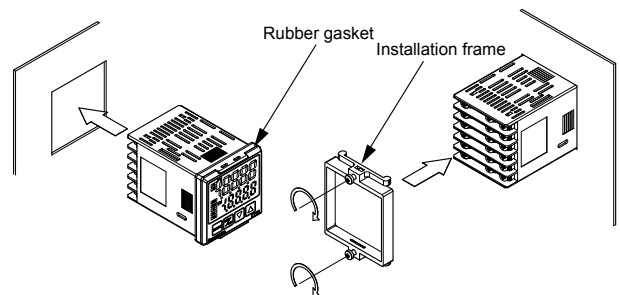
■ KT2 series

- Please install vertically in order to satisfy the IP66 specification for dust and splash proofing.
 The possible control panel plate thickness for installation is between 1 to 10 mm **0.394 in.**
- Insert the unit from the front of the control panel.
 - Insert the installation frame until that the two edges make contact with the panel.
 - Tighten the screw and then turn it 3/4 of a turn after the edge of the screw reaches the panel.



■ KT4R series

- Please install to a rigid, irregularity-free flat surface in order to satisfy the IP66 specification for dust and splash proofing.
 Panel thickness for installation: 1 to 5 mm **0.039 to 0.197 in.**
- Insert the unit from the front of the control panel.
 - Insert the installation frame until that the edges make contact with the panel and tighten the screw.
 Fix by rotating screws one full turn after contact of screw tip and panel.
 Apply tightening torque of 0.15 N·m.



INSTALLATION

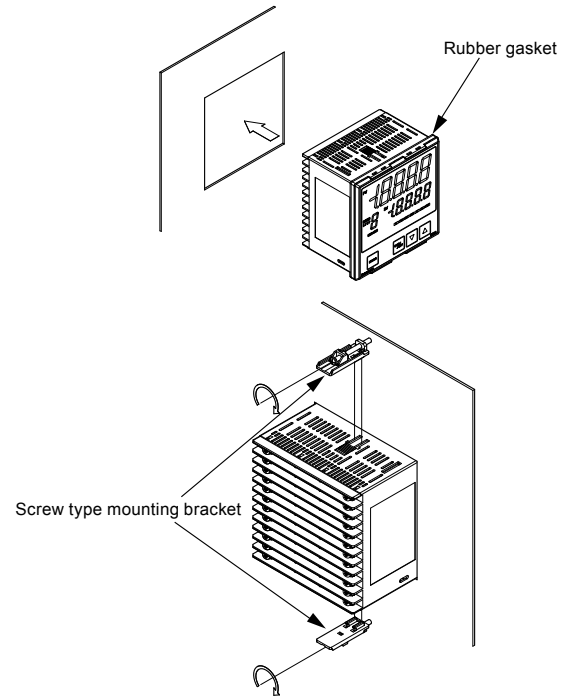
■ KT8R / KT9R series

Please install to a rigid, irregularity-free flat surface in order to satisfy the IP66 specification for dust and splash proofing.

Panel thickness for installation: 1 to 7 mm **0.039 to 0.276 in.**

- (1) Insert the controller from the front of the control panel.
- (2) Attach the screw type mounting brackets by the holes at the top and bottom of the case and secure the controller in place with the screws.

Apply tightening torque of 0.1 N•m.



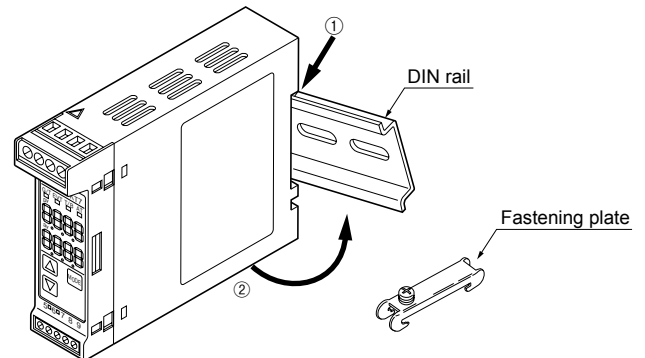
■ KT7 series

• DIN rail mounting

- (1) Hook ① of the **KT7** series controller on the upper side of the DIN rail.
- (2) Making the ① part of the **KT7** series controller as a support, fit the lower part of the **KT7** series controller to the DIN rail. **KT7** series controller will be completely fixed to the DIN rail with a “click” sound.

Recommended DIN rail: Model No. **ATA48011**

Recommended fastening plate: Model No. **ATA4806**

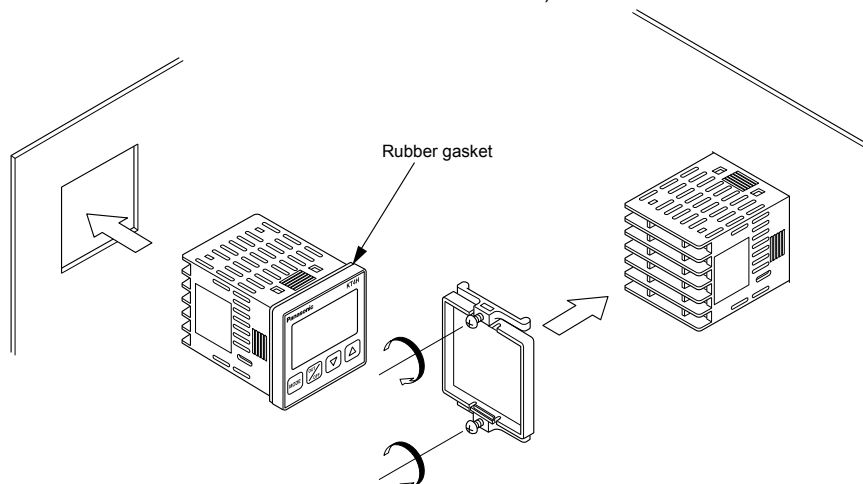


■ KT4H / KT4B series

Please install vertically in order to satisfy the IP66 specification for dust and splash proofing.

The possible control panel plate thickness for installation is between 1 to 5 mm **0.039 to 0.197 in.**

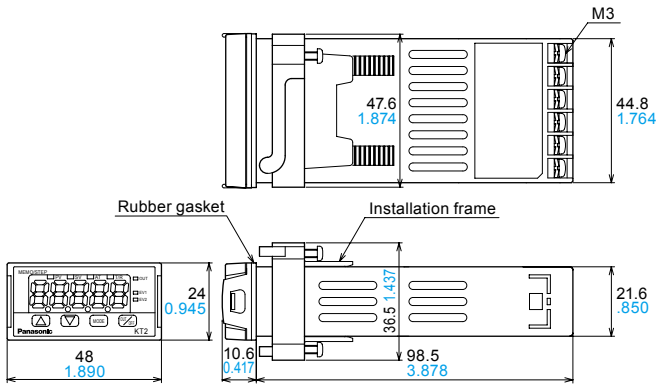
- (1) Insert the unit from the front of the control panel.
- (2) Push the installation frame fully into contact with the panel and tighten the screws. (Screw tightening torque: 0.05 N•m to 0.06 N•m)



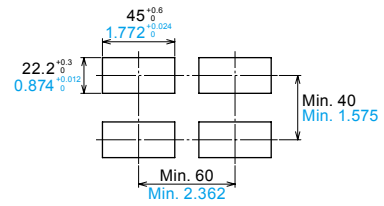
DIMENSIONS

(Unit: mm in)

■ **KT2 series**



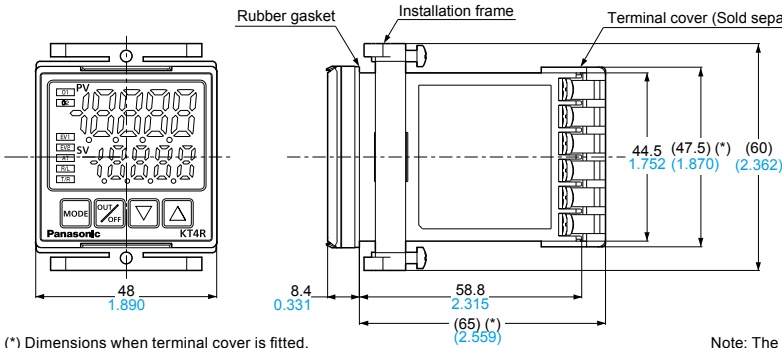
Panel cutout



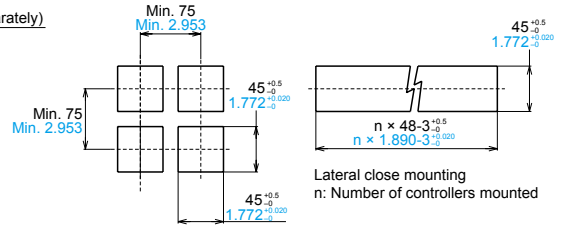
Tolerance: $\pm 1 \pm 0.039$

Note: The communications terminal is the screw terminal on the back of the controller.

■ **KT4R series**



Panel cutout



Tolerance: $\pm 1 \pm 0.039$

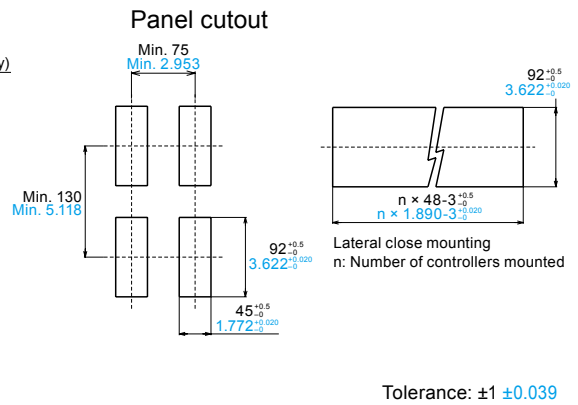
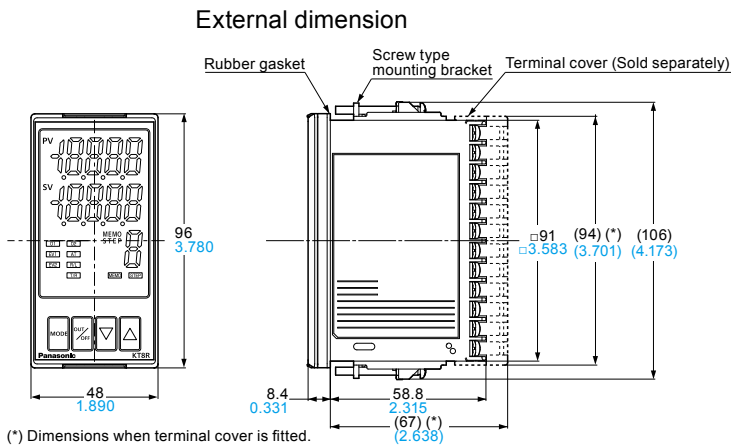
Note: The communications terminal is the screw terminal on the back of the controller.

(*) Dimensions when terminal cover is fitted.

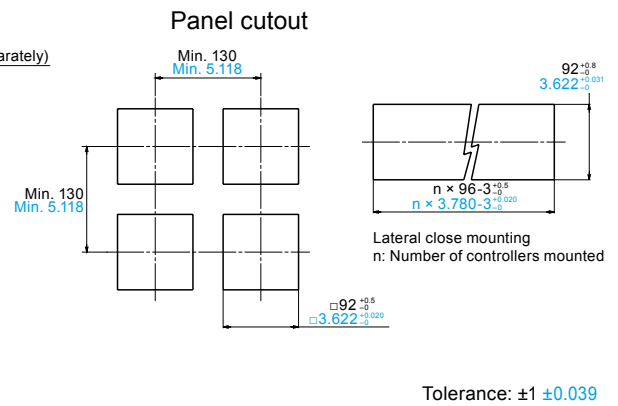
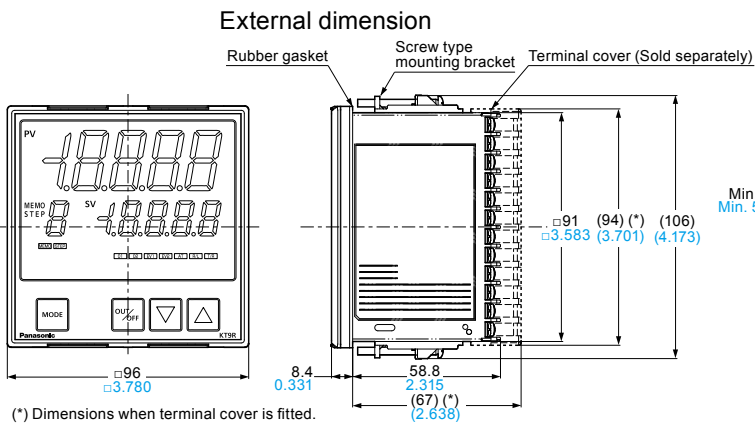
DIMENSIONS

(Unit: mm in)

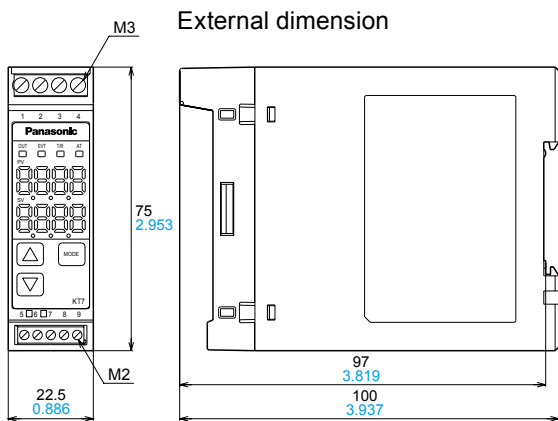
KT8R series



KT9R series



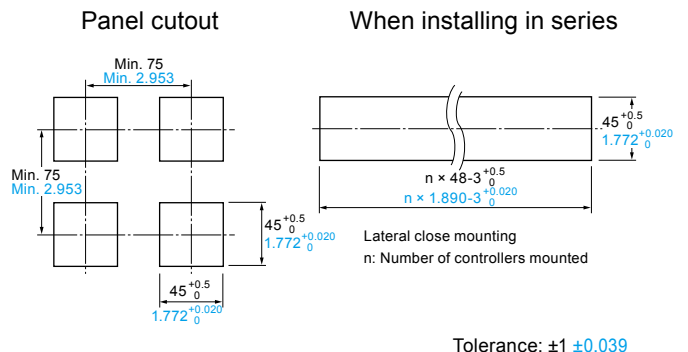
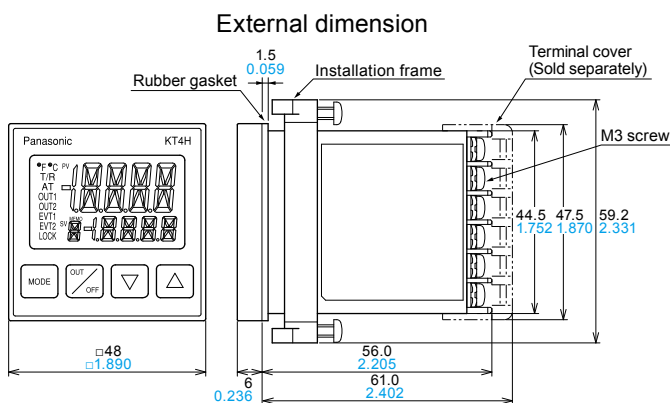
KT7 series



Tolerance: ±1 ±0.039

Note: The communications terminal is the modular jack on the bottom side of the controller.

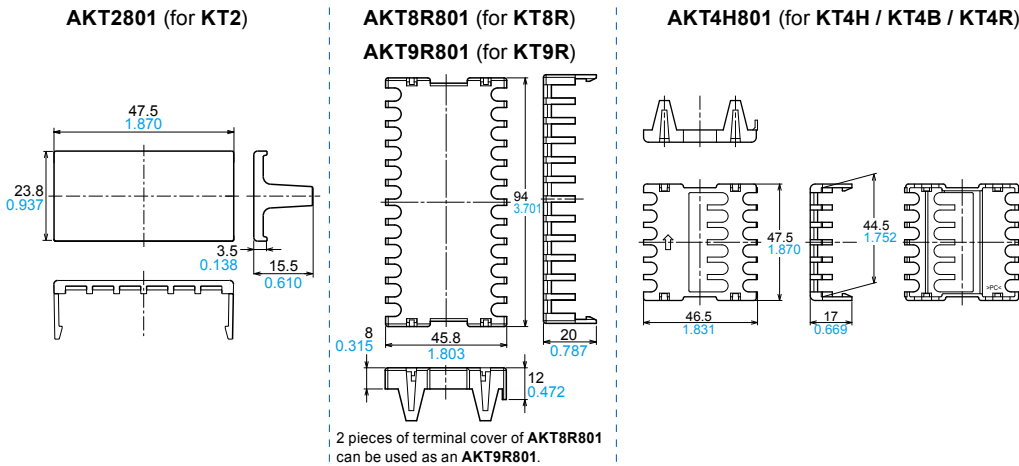
KT4H / KT4B series



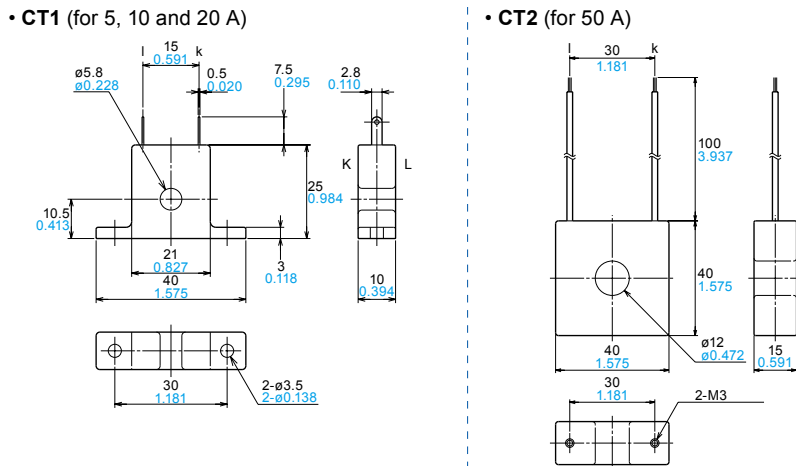
Note: If longitudinal or lateral close mounting is used for the controller, IP66 specification (Dust-proof/Drip-proof) may be compromised, and all warranties will be invalidated.

OPTIONS

Terminal cover

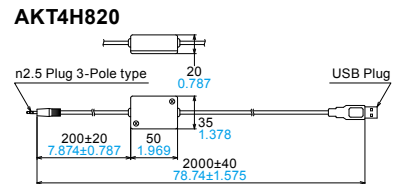


Current transformer (CT) External dimension

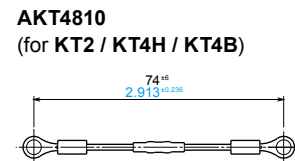


Note: Current transformer CT1 or CT2 is included (only with KT7 and KT4H) when heater burnout alarm function is added.

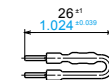
Tool cable (for KT4H / KT4B)



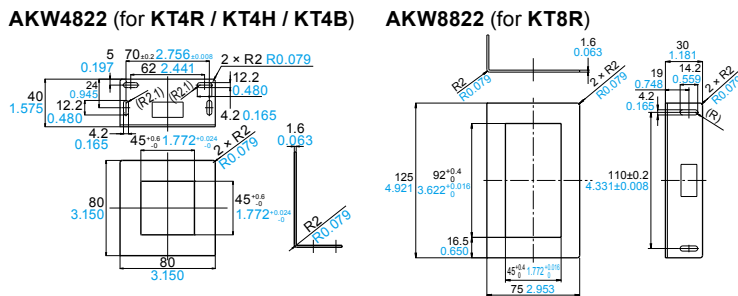
Shunt resistor



AKT4811 (for KT7)



Installation frame



Product name		Model No.	Product name		Model No.
Terminal cover	For KT2	AKT2801	Current transformer (CT) (Note 2)	For 5, 10 and 20 A	Current transformer CT1 or CT2 is included when heater burnout alarm function is added.
	For KT4R	AKT4H801		For 50 A	
	For KT8R	AKT8R801	Tool cable (for KT4H / KT4B)		AKT4H820
	For KT9R	AKT9R801	Installation frame		For KT4R / KT4H / KT4B
	For KT4H / KT4B	AKT4H801	For KT8R		AKW8822
Shunt resistor (for current input) (Note 1)	For KT2 / KT4H / KT4B	AKT4810	DIN rail		ATA48011
	For KT7	AKT4811	Fastening plate		For KT7
					ATA4806

Notes: 1) For KT2, KT4H, KT4B and KT7, when current input is specified, the shunt resistor (sold separately) is required.
2) Current transformer CT1 or CT2 is included (only with KT7 and KT4H) when heater burnout alarm function is added.

EN / IEC STANDARD

Model name	EMC Directive	Low Voltage Directive
KT2 / KT4R / KT4H / KT4B / KT7 / KT8R / KT9R	EN 61000-6-4 / EN 61000-6-2	EN 61010-1 / IEC 61010-1

FOREIGN STANDARD

Model name	UL (Recognized)		UL (Listed)		CSA (Certified)	
	File No.	Standard No.	File No.	Standard No.	File No.	Standard No.
KT2 / KT4R / KT4H / KT4B / KT7 / KT8R / KT9R	E197456	UL873	—	—	E197456 (C-UL)	C22, 2 No. 24-93

NOTES FOR USE

Notes on site selection

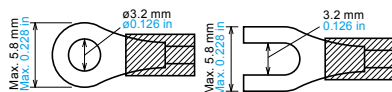
This controller is intended to be used in the following environment (IEC 61010-1)

- Overvoltage category II and Pollution degree 2
- Mount the controller in a place with:
 - A minimum of dust, and an absence of corrosive gases
 - No flammable, explosive gases
 - Few mechanical vibrations or shocks
 - No exposure to direct sunlight, an ambient temperature of 0 to 50 °C 32 to 122 °F (For KT4R / KT8R / KT9R: -10 to 55 °C 14 to 131 °F) that does not change rapidly. (When installing inside a panel, make particular allowance for heat dissipation. Avoid installation in situations such as above equipment that generates heat.)
- Locations in which temperature rapidly changes may cause condensation.
- Locations or atmospheres in which benzene, thinners, alcohol, or other organic solvents are present, or in which ammonia, sodium hydroxide, or other strong alkaline substances may adhere.
- Locations susceptible to direct impact or the transmission of vibrations, or where splashing with water is possible.
- In the proximity of equipment in which large switching surges occur or near high-voltage cables, high-voltage equipment, power lines, power equipment, ham radio transmitters, or equipment containing these or similar devices.
- An ambient non-condensing humidity of 35 to 85 % RH
- No large capacity electromagnetic switches or cables through which large current is flowing
- No water, oil or chemicals or where the vapors of these substances can come into direct contact with the controller

Notes on wiring

- The terminal block of KT4R / KT8R / KT9R / KT4H / KT4B series are designed to be wired from the left side (The terminal of KT2 series are designed to be wired from the upper and lower direction). The lead wire must be inserted from the left side of the terminal, and fastened by the terminal screw. Use a wire-pressed terminal with insulation sleeve that fits to the M3 screw.

Wire-pressed terminal	Company name	Type name	Fastening torque
Fork type	NICHIFU Co., Ltd.	1.25Y-3	0.6 N·m Max. 1.0 N·m.
	J.S.T. Mfg. Co., Ltd.	VD1.25-B3A	
Round type	NICHIFU Co., Ltd.	1.25-3	
	J.S.T. Mfg. Co., Ltd.	V1.25-3	



- Terminal screw fastening torque is 0.6 N·m to 1.0 N·m (for KT4R / KT8R / KT9R / KT4H / KT4B series). For KT7 series by M3 screw is less than 0.5 N·m and by M2 screw is less than 0.25 N·m respectively.
- Use a thermocouple and compensating lead wire according to the sensor input specification of the controller.
- Use a 3-wire system of RTD according to the sensor input specification of the controller.
- This controller has no built-in power switch, circuit breaker and fuse. Therefore, it is necessary to install them in the circuit near the external controller. (Recommended fuse: Time-lag fuse, rating voltage 250 V AC, rating current 2 A)

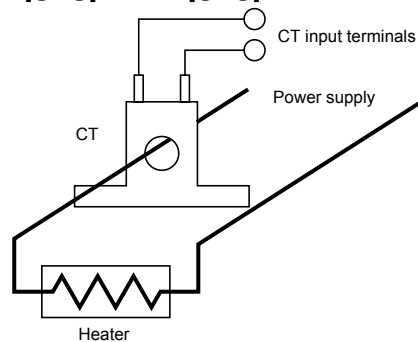
- In the case of 24 V AC / DC power supply, do not confuse the polarity when it is DC.
- With the relay contact output type, use the relay externally according to the capacity of the load to protect the built-in relay contact.
- When wiring, keep input wire (Thermocouple, RTD, etc.) away from power source wire and load wire.
- Turn the power supply to the instrument off before wiring or checking. Working or touching the terminal with the power switched on may result in electric shock which could cause severe injury or death.
- Do not drop wire chips into the holes of vent when wiring.
- To prevent the controller from harmful effects of unexpected high level noise, it is recommended that a surge absorber be installed between the electromagnetic switch coils.

Notes on mounting

- Do not use excessive force while screwing in the installation frame and mounting bracket of KT4R / KT8R / KT9R / KT4H / KT4B series. For KT8R / KT9R series, recommended torque is approximately 0.1 N·m. For KT4H / KT4B series, recommended torque is approximately 0.05 to 0.06 N·m. For KT4R series, recommended torque is approximately 0.15 N·m.
- When mounting the KT7 series to the DIN rail, mount it in a lateral direction. Make sure a click is audible when fixed into place.

Optional heater burnout alarm output (for KT7 / KT4H series)

- This alarm output is not available for detecting heater current under phase control.
- Use the current transformer (CT) provided, and pass one lead wire of the heater circuit into the hole of CT.
- When wiring, keep CT wire away from power source wire and load wire to avoid external interference.
- In three phase installations for KT4H series, ensure that R, S and T are each connected to a 2-line CT that connects with CT1 [13 - 14] and CT2 [14 - 15] terminals.



Please use rod terminals for the terminal portion of the KT7 series.

We recommend terminals made by Phoenix Contact.

① to ④ are AI0.25-8YE, AI0.34-8TQ, AI0.5-8WH, AI0.75-8GY, AI1.0-8RD, and AI1.5-8BK.

⑤ to ⑨ are AI0.25-8YE, AI0.34-8TQ, and AI0.5-8WH. The screw tightening torque for ① to ④ should be less than 0.5 N·m and for ⑤ to ⑨ it should be less than 0.25 N·m. Make sure no screw is loose.