



Chipsmall Limited consists of a professional team with an average of over 10 year of expertise in the distribution of electronic components. Based in Hongkong, we have already established firm and mutual-benefit business relationships with customers from,Europe,America and south Asia,supplying obsolete and hard-to-find components to meet their specific needs.

With the principle of “Quality Parts,Customers Priority,Honest Operation,and Considerate Service”,our business mainly focus on the distribution of electronic components. Line cards we deal with include Microchip,ALPS,ROHM,Xilinx,Pulse,ON,Everlight and Freescale. Main products comprise IC,Modules,Potentiometer,IC Socket,Relay,Connector.Our parts cover such applications as commercial,industrial, and automotives areas.

We are looking forward to setting up business relationship with you and hope to provide you with the best service and solution. Let us make a better world for our industry!



## Contact us

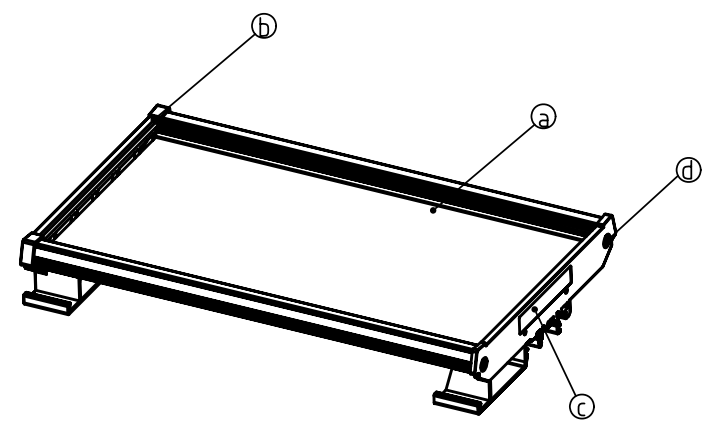
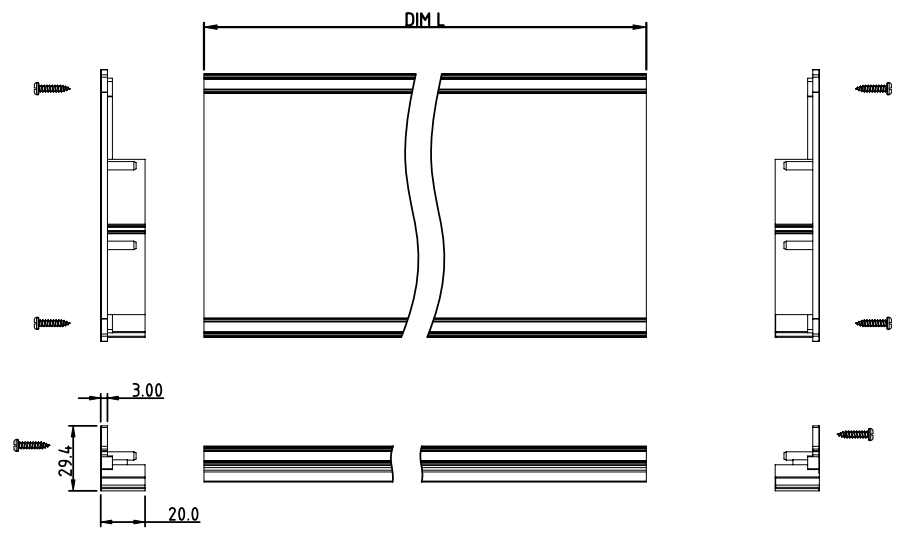
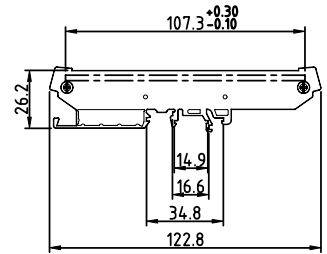
Tel: +86-755-8981 8866 Fax: +86-755-8427 6832

Email & Skype: info@chipsmall.com Web: www.chipsmall.com

Address: A1208, Overseas Decoration Building, #122 Zhenhua RD., Futian, Shenzhen, China



PRODUCT NUMBER	PITCH
ALxxxxx300J0G	N/A



Materials

- Item a insulating body PVC (UL94V-0)
- Item b insulating side Cover (left) Thermoplastic (UL94V-0)
- Item c insulating side Cover (right) Thermoplastic (UL94V-0)
- Item d Screw(Pa2.8x8) Steel, Zinc plated

Remark

DIM L ( Length of insulating body )=PCB Length-3.8mm  
 PCB Width:107.05±0.05mm  
 PCB thickness : 1.6±0.10mm

PART NO.: AL xxxx x 3 00J0 G

↓ Body Color  
 PCB length 5 Green(RAL6018/T)  
 0450 45.0mm  
 0505 50.5mm  
 .....  
 4000 400.0mm  
 0450 to 4000  
 From 45.0mm to 400mm

↓ RoHS compliant

mat'l. code		surface ASME Y14.5 ✓	tolerance ASME Y14.5	projection ⊕	product family TERMINAL BLOCK
ltr	ecn no	dr	date	tolerances unless otherwise specified	title TERMINAL BLOCK ACCESSORIES, NON-INSTALLED SIDE COVER THE WIDTH OF PCB IS 107 MM
				angles X°±1°	
				X.±0.5	MM
				X.X±0.3	scale
				X.XX±0.1	FCI
		dr	HANKE FENG 072314		dwg no ALxxxxx300J0G
		enr	HANKE FENG 072314		sheet 1 of 1 size A4
		chr	HANKE FENG 072314		type CUSTOMER Drawing
		appd	SHI JUN 072314		
sheet index	revision sheet	A	1		