



Chipsmall Limited consists of a professional team with an average of over 10 year of expertise in the distribution of electronic components. Based in Hongkong, we have already established firm and mutual-benefit business relationships with customers from,Europe,America and south Asia,supplying obsolete and hard-to-find components to meet their specific needs.

With the principle of “Quality Parts,Customers Priority,Honest Operation,and Considerate Service”,our business mainly focus on the distribution of electronic components. Line cards we deal with include Microchip,ALPS,ROHM,Xilinx,Pulse,ON,Everlight and Freescale. Main products comprise IC,Modules,Potentiometer,IC Socket,Relay,Connector.Our parts cover such applications as commercial,industrial, and automotives areas.

We are looking forward to setting up business relationship with you and hope to provide you with the best service and solution. Let us make a better world for our industry!



Contact us

Tel: +86-755-8981 8866 Fax: +86-755-8427 6832

Email & Skype: info@chipsmall.com Web: www.chipsmall.com

Address: A1208, Overseas Decoration Building, #122 Zhenhua RD., Futian, Shenzhen, China



WALL-MOUNT DISCONNECT ENCLOSURE WITH HANDLE, TYPE 12


- Data pocket is high impact thermoplastic
- Oil-resistant gasket
- Collar studs for mounting optional panels
- Holes in body and door for mounting disconnect operating handle, operating mechanism, and door hardware
- Available with or without POWERGLIDE handle and latching hardware
- Includes latch pivot post(s) and cover interlock bracket welded to door, cover latch bar for door, and instructions for installing disconnects
- Model numbers ending with "PL" include POWERGLIDE handle and latching hardware
- Installation instructions provided

FINISH

ANSI 61 gray polyester powder paint outside and white inside.

ACCESSORIES

See also Accessories.

Blank Adapter Plates, Mild Steel

Compact Cooling Fans

PANELITE Enclosure Lights Overview

Panels for Type 3R, 4, 4X, 12 and 13 Enclosures

POWERGLIDE Defeater Handle Kit

Steel and Stainless Steel Window Kits

ORDERING

Note: Some flexible cable operating mechanisms may not work in 8-in. deep enclosures due to interference with cable control hardware on inside of flange.

Depending on model, order as follows:

PL models:

- Operating mechanism and disconnect switch or circuit breakers
- Disconnect operating handle

All other models:

- Operating mechanism and disconnect switch or circuit breakers
- Disconnect operating handle
- POWERGLIDE Defeater Handle Kit

—or—

- Operating mechanism and disconnect switch or circuit breakers
- Disconnect operating handle
- Door hardware

MODIFICATION AND CUSTOMIZATION

Hoffman excels at modifying and customizing products to your specifications. Contact your local Hoffman sales office or distributor for complete information.

BULLETIN: A25
INDUSTRY STANDARDS

UL 508A Listed; Type 12, 13; File No. E61997
cUL Listed per CSA C22.2 No. 94; Type 12, 13; File No. E61997

NEMA/EEMAC Type 12, 13

CSA File No. 42186: Type 12

IEC 60529, IP65

APPLICATION

These general purpose disconnect enclosures accept major brand disconnect switches and circuit breakers, available with or without the Hoffman-supplied defeater door handle and handle hardware.

SPECIFICATIONS

- 14 gauge steel
- Seams continuously welded and ground smooth
- Bonding provision on door
- External welded-on mounting brackets for easy installation
- External formed body flange channels away liquids
- Removable door with continuous hinge

Standard Product

Catalog Number	AxBxC in.	AxBxC mm	Footnotes	With or Without Handle	Panel	Conductive Panel	Panel Size D x E (in.)	Panel Size D x E (mm)	Data Pocket Size D x E (in.)	Data Pocket Size D x E (mm)
A20SA2208LP	20.00 x 21.38 x 8.00	508 x 543 x 203	—	Without	A20P20	A20P20G	17.00 x 17.00	432 x 432	6.00 x 6.00	152 x 152
A20SA2208LPL	20.00 x 21.38 x 8.00	508 x 543 x 203	—	With	A20P20	A20P20G	17.00 x 17.00	432 x 432	6.00 x 6.00	152 x 152
A24SA2208LP	24.00 x 21.38 x 8.00	610 x 543 x 203	—	Without	A24P20	A24P20G	21.00 x 17.00	533 x 432	6.00 x 6.00	152 x 152
A24SA2208LPL	24.00 x 21.38 x 8.00	610 x 543 x 203	—	With	A24P20	A24P20G	21.00 x 17.00	533 x 432	6.00 x 6.00	152 x 152
A24SA2608LP	24.00 x 25.38 x 8.00	610 x 645 x 203	—	Without	A24P24	A24P24G	21.00 x 21.00	533 x 533	6.00 x 6.00	152 x 152
A24SA2608LPL	24.00 x 25.38 x 8.00	610 x 645 x 203	—	With	A24P24	A24P24G	21.00 x 21.00	533 x 533	6.00 x 6.00	152 x 152
A30SA2208LP	30.00 x 21.38 x 8.00	762 x 543 x 203	—	Without	A30P20	A30P20G	27.00 x 17.00	686 x 432	6.00 x 6.00	152 x 152
A30SA2208LPL	30.00 x 21.38 x 8.00	762 x 543 x 203	—	With	A30P20	A30P20G	27.00 x 17.00	686 x 432	6.00 x 6.00	152 x 152
A30SA2608LP	30.00 x 25.38 x 8.00	762 x 645 x 203	—	Without	A30P24	A30P24G	27.00 x 21.00	686 x 533	12.00 x 12.00	305 x 305
A30SA2608LPL	30.00 x 25.38 x 8.00	762 x 645 x 203	—	With	A30P24	A30P24G	27.00 x 21.00	686 x 533	12.00 x 12.00	305 x 305
A36SA2608LP	36.00 x 25.38 x 8.00	914 x 645 x 203	—	Without	A36P24	A36P24G	33.00 x 21.00	838 x 533	12.00 x 12.00	305 x 305
A36SA2608LPL	36.00 x 25.38 x 8.00	914 x 645 x 203	—	With	A36P24	A36P24G	33.00 x 21.00	838 x 533	12.00 x 12.00	305 x 305
A36SA3208LP	36.00 x 31.38 x 8.00	914 x 797 x 203	—	Without	A36P30	A36P30G	33.00 x 27.00	838 x 686	12.00 x 12.00	305 x 305
A36SA3208LPL	36.00 x 31.38 x 8.00	914 x 797 x 203	—	With	A36P30	A36P30G	33.00 x 27.00	838 x 686	12.00 x 12.00	305 x 305
A42SA3208LP	42.00 x 31.38 x 8.00	1067 x 797 x 203	—	Without	A42P30	A42P30G	39.00 x 27.00	991 x 686	6.00 x 6.00	152 x 152
A42SA3208LPL	42.00 x 31.38 x 8.00	1067 x 797 x 203	—	With	A42P30	A42P30G	39.00 x 27.00	991 x 686	6.00 x 6.00	152 x 152
A42SA3808LP	42.00 x 37.38 x 8.00	1067 x 949 x 203	—	Without	A42P36	A42P36G	39.00 x 33.00	991 x 838	12.00 x 12.00	305 x 305
A42SA3808LPL	42.00 x 37.38 x 8.00	1067 x 949 x 203	—	With	A42P36	A42P36G	39.00 x 33.00	991 x 838	12.00 x 12.00	305 x 305
A48SA3808LP	48.00 x 37.38 x 8.00	1219 x 949 x 203	—	Without	A48P36	A48P36G	45.00 x 33.00	1143 x 838	12.00 x 12.00	305 x 305
A48SA3808LPL	48.00 x 37.38 x 8.00	1219 x 949 x 203	—	With	A48P36	A48P36G	45.00 x 33.00	1143 x 838	12.00 x 12.00	305 x 305
A60SA3808LP	60.00 x 37.38 x 8.00	1524 x 949 x 203	—	Without	A60P36	A60P36G	57.00 x 33.00	1448 x 838	12.00 x 12.00	305 x 305
A60SA3808LPL	60.00 x 37.38 x 8.00	1524 x 949 x 203	—	With	A60P36	A60P36G	57.00 x 33.00	1448 x 838	12.00 x 12.00	305 x 305
A20SA2210LP	20.00 x 21.38 x 10.00	508 x 543 x 254	—	Without	A20P20	A20P20G	17.00 x 17.00	432 x 432	6.00 x 6.00	152 x 152
A20SA2210LPL	20.00 x 21.38 x 10.00	508 x 543 x 254	—	With	A20P20	A20P20G	17.00 x 17.00	432 x 432	6.00 x 6.00	152 x 152
A24SA2210LP	24.00 x 21.38 x 10.00	610 x 543 x 254	—	Without	A24P20	A24P20G	21.00 x 17.00	533 x 432	6.00 x 6.00	152 x 152
A24SA2210LPL	24.00 x 21.38 x 10.00	610 x 543 x 254	—	With	A24P20	A24P20G	21.00 x 17.00	533 x 432	6.00 x 6.00	152 x 152
A24SA2610LP	24.00 x 25.38 x 10.00	610 x 645 x 254	—	Without	A24P24	A24P24G	21.00 x 21.00	533 x 533	6.00 x 6.00	152 x 152
A24SA2610LPL	24.00 x 25.38 x 10.00	610 x 645 x 254	—	With	A24P24	A24P24G	21.00 x 21.00	533 x 533	6.00 x 6.00	152 x 152
A30SA2210LP	30.00 x 21.38 x 10.00	762 x 543 x 254	—	Without	A30P20	A30P20G	27.00 x 17.00	686 x 432	6.00 x 6.00	152 x 152
A30SA2210LPL	30.00 x 21.38 x 10.00	762 x 543 x 254	—	With	A30P20	A30P20G	27.00 x 17.00	686 x 432	6.00 x 6.00	152 x 152
A30SA2610LP	30.00 x 25.38 x 10.00	762 x 645 x 254	—	Without	A30P24	A30P24G	27.00 x 21.00	686 x 533	12.00 x 12.00	305 x 305
A30SA2610LPL	30.00 x 25.38 x 10.00	762 x 645 x 254	—	With	A30P24	A30P24G	27.00 x 21.00	686 x 533	12.00 x 12.00	305 x 305
A36SA2610LP	36.00 x 25.38 x 10.00	914 x 645 x 254	—	Without	A36P24	A36P24G	33.00 x 21.00	838 x 533	12.00 x 12.00	305 x 305
A36SA2610LPL	36.00 x 25.38 x 10.00	914 x 645 x 254	—	With	A36P24	A36P24G	33.00 x 21.00	838 x 533	12.00 x 12.00	305 x 305
A36SA3210LP	36.00 x 31.38 x 10.00	914 x 797 x 254	—	Without	A36P30	A36P30G	33.00 x 27.00	838 x 686	12.00 x 12.00	305 x 305
A36SA3210LPL	36.00 x 31.38 x 10.00	914 x 797 x 254	—	With	A36P30	A36P30G	33.00 x 27.00	838 x 686	12.00 x 12.00	305 x 305
A42SA3210LP	42.00 x 31.38 x 10.00	1067 x 797 x 254	—	Without	A42P30	A42P30G	39.00 x 27.00	991 x 686	6.00 x 6.00	152 x 152
A42SA3210LPL	42.00 x 31.38 x 10.00	1067 x 797 x 254	—	With	A42P30	A42P30G	39.00 x 27.00	991 x 686	6.00 x 6.00	152 x 152
A42SA3810LP	42.00 x 37.38 x 10.00	1067 x 949 x 254	—	Without	A42P36	A42P36G	39.00 x 33.00	991 x 838	12.00 x 12.00	305 x 305
A42SA3810LPL	42.00 x 37.38 x 10.00	1067 x 949 x 254	—	With	A42P36	A42P36G	39.00 x 33.00	991 x 838	12.00 x 12.00	305 x 305
A48SA2610LPL	48.00 x 25.38 x 10.00	1219 x 645 x 254	—	With	A48P24	A48P24G	45.00 x 21.00	1143 x 533	12.00 x 12.00	305 x 305
A48SA3810LP	48.00 x 37.38 x 10.00	1219 x 949 x 254	—	Without	A48P36	A48P36G	45.00 x 33.00	1143 x 838	12.00 x 12.00	305 x 305
A48SA3810LPL	48.00 x 37.38 x 10.00	1219 x 949 x 254	—	With	A48P36	A48P36G	45.00 x 33.00	1143 x 838	12.00 x 12.00	305 x 305
A60SA3810LP	60.00 x 37.38 x 10.00	1524 x 949 x 254	—	Without	A60P36	A60P36G	57.00 x 33.00	1448 x 838	12.00 x 12.00	305 x 305
A60SA3810LPL	60.00 x 37.38 x 10.00	1524 x 949 x 254	—	With	A60P36	A60P36G	57.00 x 33.00	1448 x 838	12.00 x 12.00	305 x 305
A60SA3812LPL	60.00 x 37.38 x 12.00	1524 x 949 x 305	—	With	A60P36	A60P36G	57.00 x 33.00	1448 x 838	12.00 x 12.00	305 x 305
A36SA3216LPL	36.00 x 31.38 x 16.00	914 x 797 x 406	—	With	A36P30	A36P30G	33.00 x 27.00	838 x 686	12.00 x 12.00	305 x 305
A42SA3216LPL	42.00 x 31.38 x 16.00	1067 x 797 x 406	—	With	A42P30	A42P30G	39.00 x 27.00	991 x 686	6.00 x 6.00	152 x 152
A42SA3816LPL	42.00 x 37.38 x 16.00	1067 x 949 x 406	—	With	A42P36	A42P36G	39.00 x 33.00	991 x 838	12.00 x 12.00	305 x 305
A48SA3816LPL	48.00 x 37.38 x 16.00	1219 x 949 x 406	—	With	A48P36	A48P36G	45.00 x 33.00	1143 x 838	12.00 x 12.00	305 x 305
A60SA3816LP	60.00 x 37.38 x 16.00	1524 x 949 x 406	—	Without	A60P36	A60P36G	57.00 x 33.00	1448 x 838	12.00 x 12.00	305 x 305
A60SA3816LPL	60.00 x 37.38 x 16.00	1524 x 949 x 406	—	With	A60P36	A60P36G	57.00 x 33.00	1448 x 838	12.00 x 12.00	305 x 305
A30SA2612LP	30.00 x 25.38 x 12.00	762 x 645 x 305	a	Without	A30P24	A30P24G	27.00 x 21.00	686 x 533	12.00 x 12.00	305 x 305
A30SA2612LPL	30.00 x 25.38 x 12.00	762 x 645 x 305	a	With	A30P24	A30P24G	27.00 x 21.00	686 x 533	12.00 x 12.00	305 x 305
A36SA3212LP	36.00 x 31.38 x 12.00	914 x 797 x 305	a	Without	A36P30	A36P30G	33.00 x 27.00	838 x 686	12.00 x 12.00	305 x 305
A36SA3212LPL	36.00 x 31.38 x 12.00	914 x 797 x 305	a	With	A36P30	A36P30G	33.00 x 27.00	838 x 686	12.00 x 12.00	305 x 305
A42SA3212LP	42.00 x 31.38 x 12.00	1067 x 797 x 305	a	Without	A42P30	A42P30G	39.00 x 27.00	991 x 686	6.00 x 6.00	152 x 152
A42SA3212LPL	42.00 x 31.38 x 12.00	1067 x 797 x 305	a	With	A42P30	A42P30G	39.00 x 27.00	991 x 686	6.00 x 6.00	152 x 152
A42SA3812LP	42.00 x 37.38 x 12.00	1067 x 949 x 305	a	Without	A42P36	A42P36G	39.00 x 33.00	991 x 838	12.00 x 12.00	305 x 305
A42SA3812LPL	42.00 x 37.38 x 12.00	1067 x 949 x 305	a	With	A42P36	A42P36G	39.00 x 33.00	991 x 838	12.00 x 12.00	305 x 305
A48SA3812LP	48.00 x 37.38 x 12.00	1219 x 949 x 305	a	Without	A48P36	A48P36G	45.00 x 33.00	1143 x 838	12.00 x 12.00	305 x 305
A48SA3812LPL	48.00 x 37.38 x 12.00	1219 x 949 x 305	a	With	A48P36	A48P36G	45.00 x 33.00	1143 x 838	12.00 x 12.00	305 x 305
A60SA3812LP	60.00 x 37.38 x 12.00	1524 x 949 x 305	a	Without	A60P36	A60P36G	57.00 x 33.00	1448 x 838	12.00 x 12.00	305 x 305
A60SA3812LPL	60.00 x 37.38 x 12.00	1524 x 949 x 305	a	With	A60P36	A60P36G	57.00 x 33.00	1448 x 838	12.00 x 12.00	305 x 305
A36SA3216LP	36.00 x 31.38 x 16.00	914 x 797 x 406	a	Without	A36P30	A36P30G	33.00 x 27.00	838 x 686	12.00 x 12.00	305 x 305
A48SA3816LP	48.00 x 37.38 x 16.00	1219 x 949 x 406	a	Without	A48P36	A48P36G	45.00 x 33.00	1143 x 838	12.00 x 12.00	305 x 305
A60SA3812A24LP	60.00 x 37.38 x 12.00	1524 x 949 x 305	b	Without	A60P36	A60P36G	57.00 x 33.00	1448 x 838	12.00 x 12.00	305 x 305

^aWhen using a Siemens ITE circuit breaker and an enclosure with an A dimension of 30-, 36- or 42-in., verify the amount of wire bend space required for both the line and load sides. Enclosures 12- and 16-in. deep can be modified to accept Siemens ITE 800 A and 1200 A circuit breakers. (Consult factory for details.)

^bCatalog number A60SA3812A24LP enclosure will receive only 400 A and 600 A Allen-Bradley Bulletin 1494V disconnect switches, and Siemens ITE 800 Amp and 1200 Amp circuit breakers. The 400 Amp and 600 Amp Allen-Bradley disconnect switch will not fit any other size enclosure from the Bulletin A25 family. Blank Adapter Plates will not fit catalog number A60SA3812A24LP.

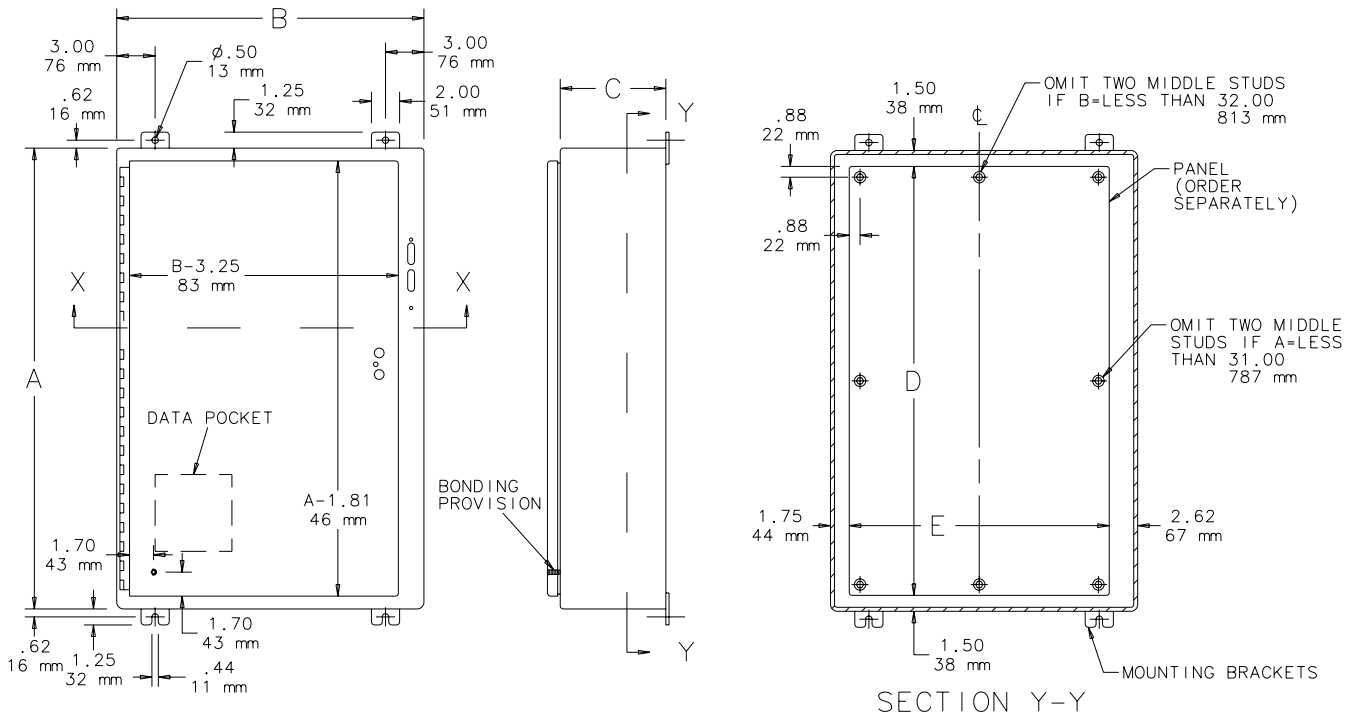
Purchase panels separately.

Table 430.10(B) Minimum Wire Bending Space at the Terminals of Enclosed Motor Controllers

Size of Wire (AWG or kcmil)	Wires per Terminal 1 (mm)	Wires per Terminal 1 (in.)	Wires per Terminal 2(mm)	Wires per Terminal 2 (in.)
14-10	Not specified	Not specified	—	—
8-6	30	1.5	—	—
4-3	50	2	—	—
2	65	2.5	—	—
1	75	3	—	—
1/0	125	5	125	5
2/0	150	6	150	6
3/0-4/0	175	7	175	7
250	200	8	200	8
300	250	10	250	10
350-500	300	12	300	12
600-700	350	14	400	16
750-900	450	18	475	19

This table is reproduced with permission from NRPA 2005-70, National Electrical Code, copyright 2005, National Fire Protection Association, Quincy, MA 02269. This reprinted material is not the complete and official position of the NFPA on the referenced subject which is represented only by the standard in its entirety.

Where provision for 3 or more wires per terminal exists, the minimum wire bending space shall be in accordance with the requirements of Article 312.



C2512-C

NOTE:

1. Panels have flanges along two sides when the side dimension is more than 21.00 (533mm).
2. Catalog number A60SA3812A24LP has a larger cutout in the enclosure flange to accommodate the Allen-Bradley 1494V-H2 and Siemens ITE FHOHN operating handles.
3. Panels are 12 gauge steel.
4. Enclosure with A < 40.00 (1016mm) require 2-point door hardware.

DISCONNECT MOUNTING SPACE

Disconnects will occupy space on panel shown by dimensions E1, F1 and G1 in Disconnect Mounting Space diagram. Wiring space W1 is available when disconnect is installed in the enclosure.

E1 = 4.75 in. (121 mm) when C = 8.00 in. (203 mm)

E1 = 7.09 in. (180 mm) when C = 10.00 in. (254 mm)

E1 = 11.62 in. (294 mm) when C = 12.00 in. (305 mm)

E1 = 11.62 in. (294 mm) when C = 16.00 in. (406 mm)

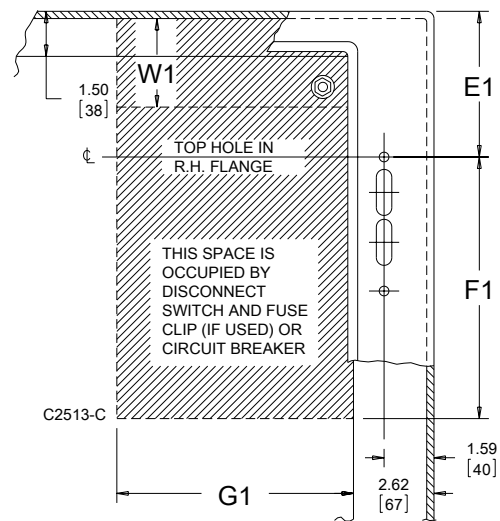
E1 = 18.38 in. (467 mm) for A60SA3812A24LP

W1 = Wiring Space.

See *Technical Information for wire bend space.*

Refer to **NATIONAL ELECTRICAL CODE 2005** article 430.10(B) for wiring space required for line side conductors to be connected to disconnect.

Verify your application to determine if wiring space is adequate.



Consult disconnect manufacturer or see Disconnect Ordering information at hoffmanonline.com under Technical Resources for F1 and G1 dimensions of various brands of disconnects.

POWERGLIDE DEFEATER HANDLE KIT

This clockwise defeater model includes door hardware for Bulletin A25 enclosures.

BULLETIN: A80

Catalog Number	Description
AL55CWD	Medium POWERGLIDE Handle - Clockwise opening with defeater and door hardware

PREFERRED-CUTOUT OVERVIEW



APPLICATION

Enclosures having the preferred cutout are sized for use with up to 200A disconnect switches and up to 400A circuit breakers unless otherwise specified. The preferred cutout accepts the smaller operating handle whose mounting hole centers are 4.688 in. apart. Preferred cutouts are standard in mild steel wall-mount enclosures, modular enclosures and some select large mild steel enclosures. They are also present on all standard stainless steel offerings. Mild steel operator adapter plates with brand specific preferred cutouts are available for enclosures with a rectangular universal cutout.

Preferred cutouts are designed to house the following:

Allen-Bradley

- Bulletin 1494V disconnect switches with flange-mount variable-depth operating mechanisms and Bulletin 1494V flange-mount variable-depth operating mechanisms for circuit breakers
- Bulletin 140U flexible cable operating mechanisms for 140U molded case circuit breakers
- Bulletin 140G flexible cable and variable depth flange-mount molded case circuit breakers
- Bulletin 1494C cable-operated disconnect switches with flange-mount handles
- Bulletin 194RC cable-operated flange-mount handles for use with the NFPA 79 compliant 194R IEC rotary disconnect switches

Allen-Bradley Bulletin 1494V-R1, -R2 and -W2 operating handles and Allen-Bradley Bulletin 1494F disconnect devices or Bulletin 1494D circuit breaker operators will NOT fit these enclosures.

ABB Controls flange-mount variable-depth operating mechanisms for disconnect switches and circuit breakers. Also the cable version for circuit breakers.

Eaton Cutler-Hammer Type C361 flange-mount variable-depth operating mechanisms with disconnect switches and Type C371 flange-mount variable-depth operating mechanisms for circuit breakers.

General Electric Type STDA flange handles and variable-depth operating mechanisms for disconnect switches and circuit breakers. Also SPECTRAFLEX cable operators for circuit breakers.

Siemens ITE MAX FLEX® flange-mount variable-depth operating handles for circuit breakers.

Schneider Square D® Class 9422 disconnect switches with flange-mount variable-depth operating mechanisms or cable mechanisms and Class 9422 flange-mount variable-depth operating mechanisms or cable mechanisms for circuit breakers.

These enclosures will NOT accept Square D Class 9422 bracket-mounted disconnect devices, Class 9422TG1 or TG2 devices.

ORDERING

The disconnect switch, operating handle, and operating mechanism must be ordered from disconnect equipment supplier. See Technical Information in the Hoffman Specifier's Guide for wire bend space available when various manufacturers' disconnect switches are installed, or Disconnect Ordering Information at hoffmanonline.com for disconnect ordering guidelines and wire bend space available. Check the enclosure dimension drawings to verify the chosen disconnect switch will fit in the enclosure.