



Chipsmall Limited consists of a professional team with an average of over 10 year of expertise in the distribution of electronic components. Based in Hongkong, we have already established firm and mutual-benefit business relationships with customers from,Europe,America and south Asia,supplying obsolete and hard-to-find components to meet their specific needs.

With the principle of “Quality Parts,Customers Priority,Honest Operation,and Considerate Service”,our business mainly focus on the distribution of electronic components. Line cards we deal with include Microchip,ALPS,ROHM,Xilinx,Pulse,ON,Everlight and Freescale. Main products comprise IC,Modules,Potentiometer,IC Socket,Relay,Connector.Our parts cover such applications as commercial,industrial, and automotives areas.

We are looking forward to setting up business relationship with you and hope to provide you with the best service and solution. Let us make a better world for our industry!



Contact us

Tel: +86-755-8981 8866 Fax: +86-755-8427 6832

Email & Skype: info@chipsmall.com Web: www.chipsmall.com

Address: A1208, Overseas Decoration Building, #122 Zhenhua RD., Futian, Shenzhen, China

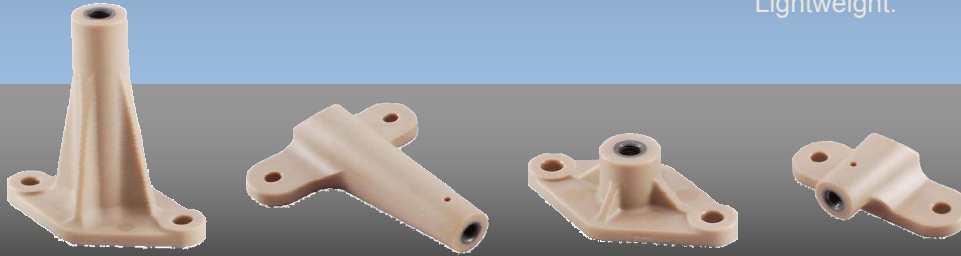


Standoffs—Nut Plates

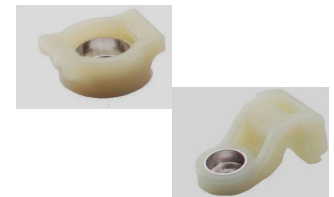
Other System Attachments

High Performance Standoffs & Aluminum Replacement Standoffs

Non-Conductive.
Non-Corrosive.
Strong and Durable.
Lightweight.



High Performance Clamps



Anchor Supports

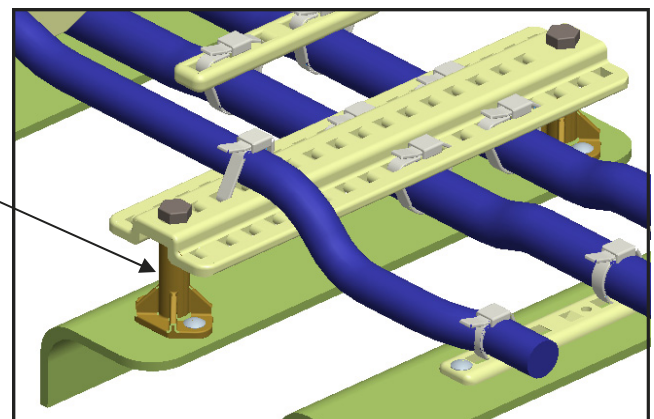
Amphenol has over 30 years experience in System Attachment technology, serving the Aerospace, Military, Industrial and extreme environment markets. The company produces high quality products and prides itself on timely and accurate delivery.

Designed to help guide wire bundles through aircraft, Amphenol's High Performance and Aluminum Replacement Standoffs were designed with strength, stability, and weight reduction in mind. Our standoffs are made with PEEK—a very strong, non-conductive/non-corrosive, and lightweight material. They come with a locking feature for security, are designed with ribs to provide additional strength, and support a wide range of clamp sizes and raceways for added convenience.

Features & Benefits:

- Completely **Non-Conductive & Non-Corrosive**
- High Strength **PEEK**
- **Lightweight**
- Riveted or Bolted options
- **Locking Feature** on thread
- Designed with **Ribs** for additional strength
- Multiple Sizes available
- Two types
 - ⇒ High Performance Standoff
 - ⇒ Aluminum Replacement Standoff

Amphenol Standoff



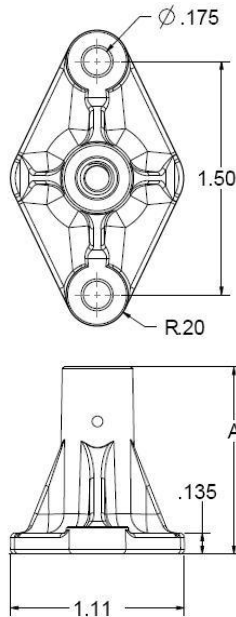
Product Customization

Amphenol AirLB NA welcomes inquiries for application-specific modifications to our Standoffs. Our product line is continuously expanding to meet current and future customer needs.

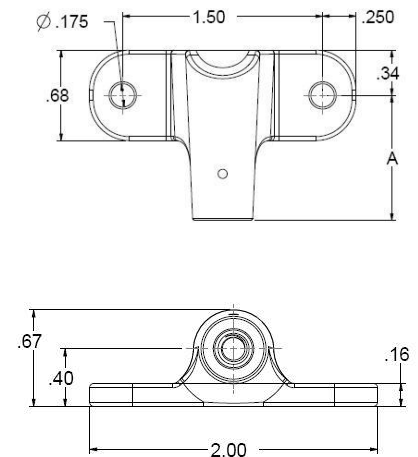


High Performance Standoff—with PEEK

DIMENSION CHART	
Amphenol P/N	Height (A) In.
ALBSTO-001-03	0.30
ALBSTO-001-04	0.40
ALBSTO-001-06	0.60
ALBSTO-001-08	0.80
ALBSTO-001-10	1.00
ALBSTO-001-12	1.20
ALBSTO-001-14	1.40
ALBSTO-001-16	1.60
ALBSTO-001-18	1.80
ALBSTO-001-20	2.00



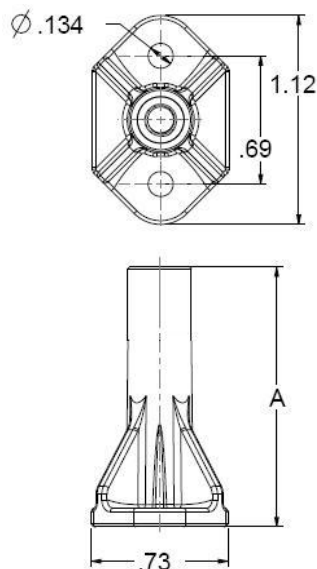
DIMENSION CHART	
Amphenol P/N	Height (A) In.
ALBSTO-002-02	0.54
ALBSTO-002-04	0.74
ALBSTO-002-06	0.94
ALBSTO-002-08	1.14
ALBSTO-003-10	1.34
ALBSTO-003-12	1.54
ALBSTO-003-14	1.74
ALBSTO-003-16	1.94
ALBSTO-003-18	2.14
ALBSTO-003-20	2.34
ALBSTO-003-22	2.54
ALBSTO-003-24	2.74



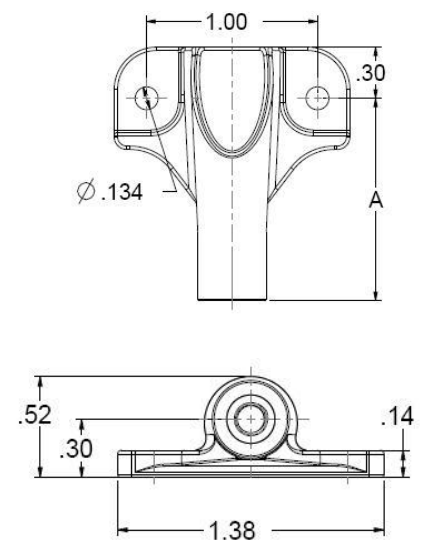
The High Performance Standoff is very strong and durable and can be installed with bolts or nuts. The threaded insert is 10-32 and the product is designed to hold a wide range of clamps sizes—large clamps if required.

Aluminum Replacement Standoff—with PEEK

DIMENSION CHART	
Amphenol P/N	Height (A) In.
ALBSTO-101-04	0.40
ALBSTO-101-06	0.60
ALBSTO-101-08	0.80
ALBSTO-101-10	1.00
ALBSTO-101-12	1.20
ALBSTO-101-14	1.40
ALBSTO-101-16	1.60
ALBSTO-101-18	1.80
ALBSTO-101-20	2.00
ALBSTO-101-22	2.20



DIMENSION CHART	
Amphenol P/N	Height (A) In.
ALBSTO-001-03	0.80
ALBSTO-001-04	1.00
ALBSTO-001-06	1.20
ALBSTO-001-08	1.40
ALBSTO-001-10	1.60
ALBSTO-001-12	1.80
ALBSTO-001-14	2.00
ALBSTO-001-16	2.20
ALBSTO-001-18	2.40



As its name implies, the Aluminum Replacement Standoff replaces standard aluminum standoffs and is installed with rivets. The threaded inserts is 8-32 and the product is designed to hold/secure raceways and small clamps.

