



Chipsmall Limited consists of a professional team with an average of over 10 year of expertise in the distribution of electronic components. Based in Hongkong, we have already established firm and mutual-benefit business relationships with customers from,Europe,America and south Asia,supplying obsolete and hard-to-find components to meet their specific needs.

With the principle of "Quality Parts,Customers Priority,Honest Operation,and Considerate Service",our business mainly focus on the distribution of electronic components. Line cards we deal with include Microchip,ALPS,ROHM,Xilinx,Pulse,ON,Everlight and Freescale. Main products comprise IC,Modules,Potentiometer,IC Socket,Relay,Connector.Our parts cover such applications as commercial,industrial, and automotives areas.

We are looking forward to setting up business relationship with you and hope to provide you with the best service and solution. Let us make a better world for our industry!



## Contact us

Tel: +86-755-8981 8866 Fax: +86-755-8427 6832

Email & Skype: info@chipsmall.com Web: www.chipsmall.com

Address: A1208, Overseas Decoration Building, #122 Zhenhua RD., Futian, Shenzhen, China



# AC Line Filters Common Mode Choke Coil



18.0 x 23.9 x 21.6mm

ALFT-03A

RoHS/RoHS II Compliant

## FEATURES:

- Presents High Common Mode Impedance
- Enables significant noise suppression at high frequency

## APPLICATIONS:

- Filtering common mode noise in USB, IEEE1394, LVDS, Digital Camera, Scanner.
- Digital audio and video equipments such as PDA, DSC, DVC, DVD Player.

## ELECTRICAL SPECIFICATIONS:

Part Number	Common Mode Inductance Min (mH) 1-2/4-3	Rated Current Max (A)	DCR Max ( $\Omega$ )	Rated Voltage (V)	Insulation Resistance Min (M $\Omega$ )
ALFT-03A-1	105	0.2	10.0	250	100
ALFT-03A-2	45	0.3	2.5	250	100
ALFT-03A-3	26	0.4	1.5	250	100
ALFT-03A-4	19	0.5	1.2	250	100
ALFT-03A-5	12	0.6	1.0	250	100
ALFT-03A-6	10	0.7	0.80	250	100
ALFT-03A-7	7.0	0.8	0.80	250	100
ALFT-03A-8	5.5	1.0	0.75	250	100
ALFT-03A-9	4.30	1.1	0.70	250	100
ALFT-03A-10	2.7	1.3	0.68	250	100
ALFT-03A-11	2.1	1.5	0.60	250	100
ALFT-03A-12	1.7	1.7	0.60	250	100
ALFT-03A-13	1.0	2.2	0.40	250	100
ALFT-03A-14	0.6	3.0	0.38	250	100

### Test Conditions

Test Freq for L: 1KHz, 0.1Vrms

Turns Ratio: 1:1  $\pm$  2%

Hi-Pot: 2000V<sub>RMS</sub>

### Operating Temperature

-25°C to +85°C

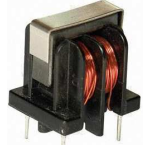
### Storage Temperature

-25°C to +85°C

# Common Mode Line Filter

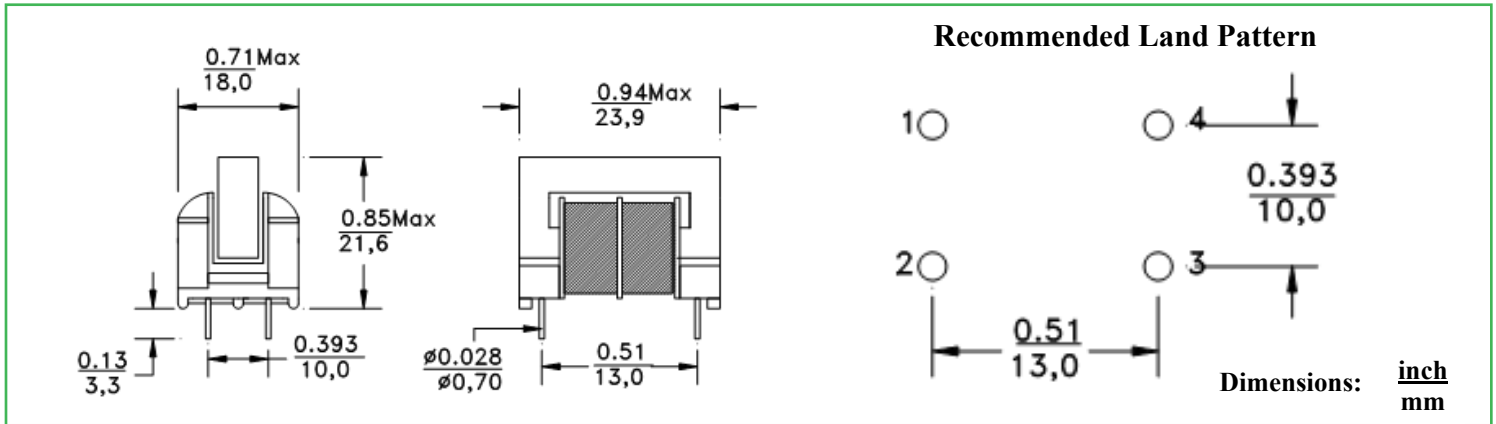
ALFT-03A

RoHS/RoHS II Compliant



18.0 x 23.9 x 21.6mm

## ELECTRICAL SPECIFICATIONS:

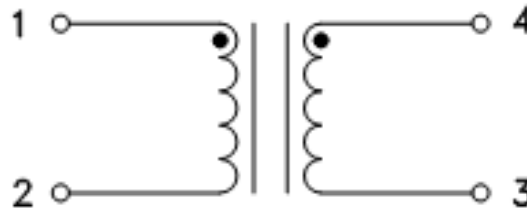


## MATERIALS

Part Name	Materials	UL file Number
Ferrite Core	Mn-Zn Ferrite	
Bobbin	Phenolic	E59481
Lead Wire	CP WIRE	
Coil	Cu/P180 Grd 1	E158909

**Note: No material substitutions allowed without prior approval by Abracon in writing.**

## SCHEMATICS



**Packing 144pcs/Box**

**ATTENTION:** Abracon Corporation's products are COTS – Commercial-Off-The-Shelf products; suitable for Commercial, Industrial and, where designated, Automotive Applications. Abracon's products are not specifically designed for Military, Aviation, Aerospace, Life-dependant Medical applications or any application requiring high reliability where component failure could result in loss of life and/or property. For applications requiring high reliability and/or presenting an extreme operating environment, written consent and authorization from Abracon Corporation is required. Please contact Abracon Corporation for more information.

ABRACON IS  
ISO 9001:2008  
CERTIFIED



Visit [www.abracon.com](http://www.abracon.com) for Terms & Conditions of Sale **Revised: 02.06.15**  
30332 Esperanza, Rancho Santa Margarita, California 92688  
tel 949-546-8000 | fax 949-546-8001 | [www.abracon.com](http://www.abracon.com)