



Chipsmall Limited consists of a professional team with an average of over 10 year of expertise in the distribution of electronic components. Based in Hongkong, we have already established firm and mutual-benefit business relationships with customers from,Europe,America and south Asia,supplying obsolete and hard-to-find components to meet their specific needs.

With the principle of “Quality Parts,Customers Priority,Honest Operation,and Considerate Service”,our business mainly focus on the distribution of electronic components. Line cards we deal with include Microchip,ALPS,ROHM,Xilinx,Pulse,ON,Everlight and Freescale. Main products comprise IC,Modules,Potentiometer,IC Socket,Relay,Connector.Our parts cover such applications as commercial,industrial, and automotives areas.

We are looking forward to setting up business relationship with you and hope to provide you with the best service and solution. Let us make a better world for our industry!



Contact us

Tel: +86-755-8981 8866 Fax: +86-755-8427 6832

Email & Skype: info@chipsmall.com Web: www.chipsmall.com

Address: A1208, Overseas Decoration Building, #122 Zhenhua RD., Futian, Shenzhen, China



ALM-GA002

GPS Low Noise Amplifier Variable Current/Shutdown Function



Data Sheet

Description

Avago Technologies's ALM-GA002 is a LNA designed for GPS/ISM/Wimax applications in the (0.9-2.4)GHz frequency range. The LNA uses Avago Technologies's proprietary GaAs Enhancement-mode pHEMT process to achieve high gain operation with very low noise figures and high linearity. Noise figure distribution is very tightly controlled. Gain and supply current are guaranteed parameters. A CMOS compatible shutdown pin is included to turn the LNA off and provide a variable bias.

The ALM-GA002 LNA is usable down to 1 V operation. It achieves low noise figures and high gain even at 1V, making it suitable for use in critical low power GPS/ISM band applications.

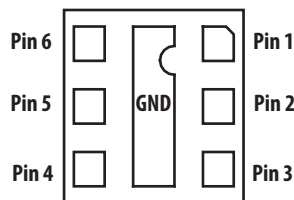
Package Marking and Orientation



Top View

Note: Package marking provides Orientation and identification:
"B" = Product Code
"Y" = Year
"WW" = Work Week

Pin Configuration



Bottom View

- LNA I/O's :
1. NC
 2. RF_IN
 3. NC
 4. VSD
 5. RF_OUT
 6. VDD

Features

- Operating temperature range -40 to +85 °C
- Surface Mount 2.0 x 2.0 x 1.1 mm³ MCOB
- Advanced GaAs E-pHEMT
- Low Noise: 0.8 dB typ
- High Gain: 14.3 dB typ
- Low component count
- High IIP3 and IP1dB
- Wide Supply Voltage: 1 V to 3.6 V
- Shutdown current: < 0.1 μA
- CMOS compatible shutdown pin (VSD) current @ 2.85 V: 90 μA
- Adjustable bias current via one single external resistor/voltage
- Small Footprint: 2x2 mm²
- Low Profile: 1.1 mm typ.
- Lead-free and Halogen-free
- Ext matching for non-GPS freq band operation

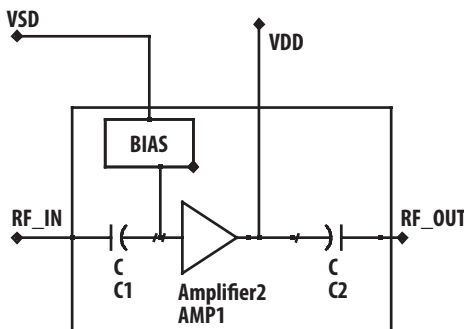
Specifications (25 deg):

At 1.575GHz, 2.85 V 8 mA (Typ)

- Gain = 14.3 dB (Typ)
- NF = 0.8 dB (Typ)
- IIP3 = 4.7 dBm (Typ)
- IP1dB = 1.8 dBm (Typ)
- S11 = -11.8 dB (Typ)
- S22 = -12.4 dB (Typ)

Note: Measurements obtained using demoboard described in Figure 4.

Simplified Schematic



Absolute Maximum Ratings^[1]

| Symbol | Parameter | Units | Absolute Maximum |
|----------------------|--|-------|------------------|
| V _{DS} | Drain – Source Voltage ^[2] | V | 3.6 |
| I _{DS} | 2G Drain Current ^[2] | mA | 15 |
| P _{diss} | Total Power Dissipation ^[3] | mW | 54 |
| P _{in max.} | RF Input Power | dBm | +10 |
| T _{CH} | Channel Temperature | °C | 150 |
| T _{STG} | Storage Temperature | °C | -65 to 150 |
| θ _{ch_b} | Thermal Resistance ^[4] | °C/W | 232 |

Notes:

1. Operation of this device above any one of these parameters may cause permanent damage.
2. Assuming DC quiescent conditions.
3. Board (package belly) temperature T_B is 25°C. Derate 4.32mW/°C for T_B > 137°C.
4. Channel-to-board thermal resistance measured using 150°C Liquid Crystal Measurement method.

Electrical Specifications

T_A = 25°C, DC bias for RF parameter is VDD = VSD = +2.85V @ 8mA (unless otherwise specified)

Table 1. Performance table at nominal operating conditions

VDD= VSD = +2.85V, R1 = 18K Ohm, Freq=1.575GHz – Typical Performance

| Symbol | Parameter and Test Condition | Units | Min. | Typ | Max. |
|------------------------|--|-------|------|-------|------|
| G | Gain | dB | | 14.3 | |
| NF | Noise Figure | dB | | 0.8 | |
| IP1dB | Input 1dB Compressed Power | dBm | | 1.8 | |
| IIP3 | Input 3 rd Order Intercept Point (2-tone @ Fc +/- 2.5MHz) | dBm | | 4.7 | |
| S11 | Input Return Loss | dB | | -11.8 | |
| S22 | Output Return Loss | dB | | -12.4 | |
| I _{ds} | Supply Current | mA | | 8 | |
| I _{sh} | Shutdown Current @ VSD = 0V | uA | | 0.1 | |
| V _{ds} | Supply Voltage | V | | 2.85 | |
| IP1dB _{1710M} | Out of Band IP1dB (DCS 1710MHz) blocking | dBm | | 2.9 | |
| IIP3 _{OUT} | Out of Band IIP3 (DCS 1775MHz & 1950MHz) | dBm | | 5.5 | |

Table 2. Typical performance at low operation voltages with R1 (see Fig 2) set to 0 Ohm

VDD = +2V, VDD= +1.5V & VDD= +1.0V, Freq=1.575GHz – Typical Performance (VSD=VDD, R1=0 Ohm)

| Symbol | Parameter and Test Condition | Units | VDD = 2V | VDD = 1.5V | VDD = 1.0V |
|------------------------|--|-------|----------|------------|------------|
| G | Gain | dB | 15 | 14.2 | 12.3 |
| NF | Noise Figure | dB | 0.8 | 0.9 | 1 |
| IP1dB | Input 1dB Compressed Power | dBm | -1.4 | -2.4 | -3.8 |
| IIP3 | Input 3 rd Order Intercept Point (2-tone @ Fc +/- 2.5MHz) | dBm | 7.3 | 4.9 | 5.2 |
| S11 | Input Return Loss | dB | -13.8 | -11.5 | -8 |
| S22 | Output Return Loss | dB | -15.5 | -14.5 | -11.7 |
| I _{ds} | Supply Current | mA | 13 | 7.5 | 3.6 |
| I _{sh} | Shutdown Current @ VSD = 0V | uA | 0.1 | 0.1 | 0.1 |
| V _{ds} | Supply Voltage | V | 2 | 1.5 | 1.0 |
| IP1dB _{1710M} | Out of Band IP1dB (DCS 1710MHz) blocking | dBm | -0.3 | -1.9 | -2.9 |
| IIP3 _{OUT} | Out of Band IIP3 (DCS 1775MHz & 1950MHz) | dBm | 8.7 | 5.8 | 3 |

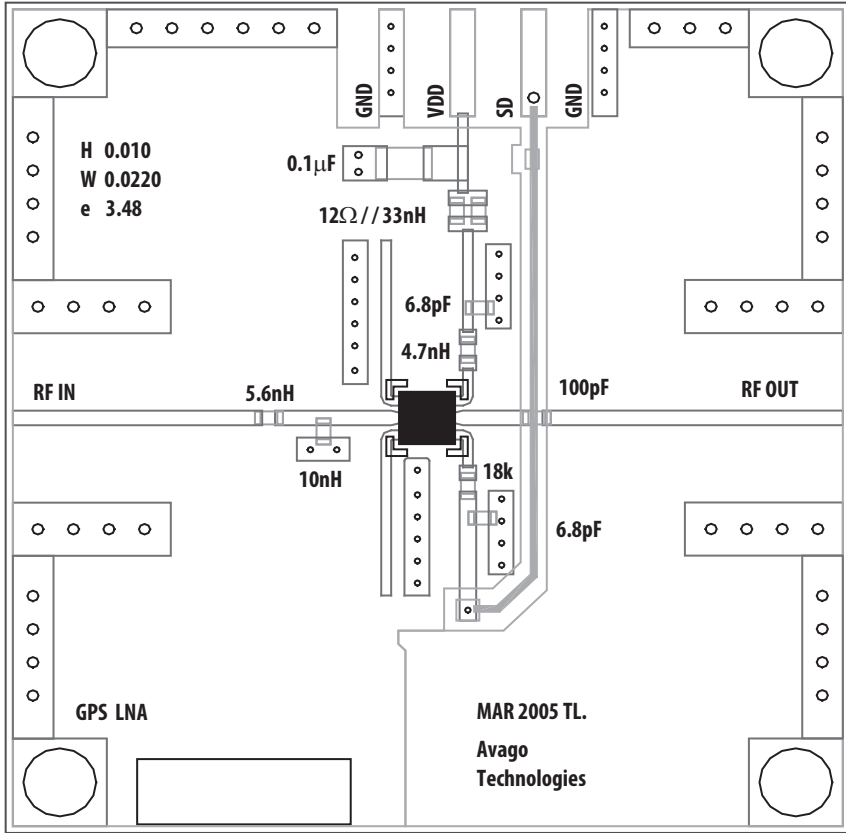


Figure 1. Demoboard and Application Circuit Components

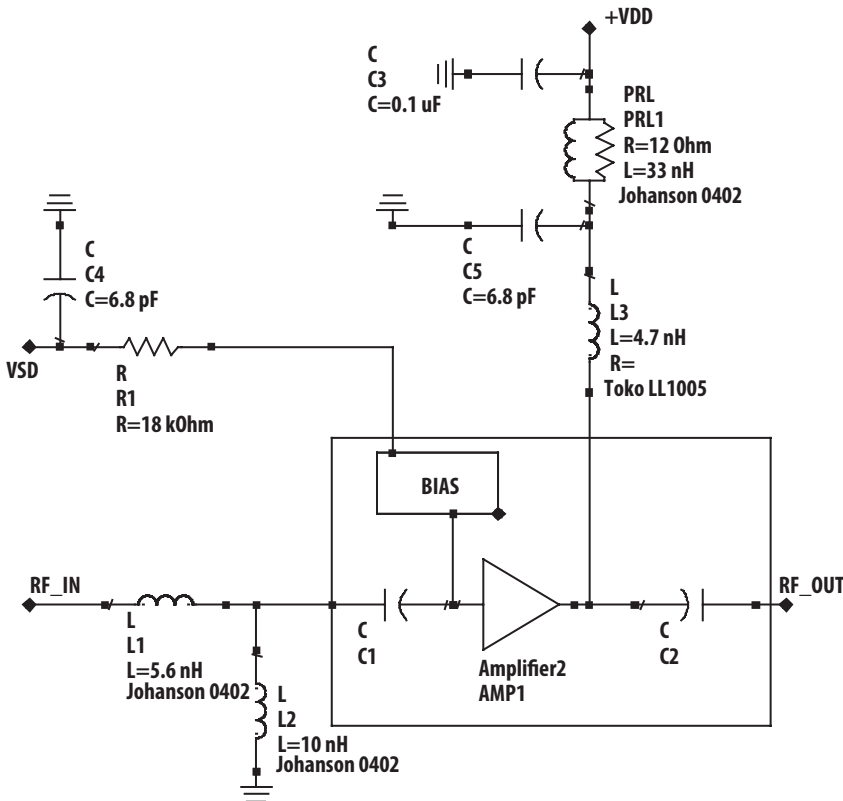


Figure 2. Demoboard schematic

Notes

- L1 and L2 form the input matching network. The LNA module has a integrated coupling and DC-blocking capacitors at the input and output. Best noise performance is obtained using high-Q wirewound inductors. This circuit demonstrates that low noise figures are obtainable with standard 0402 chip inductors. Replacing L1, L2 and L3 with high-Q wirewound inductors (eg. Cilcraft 0402CS series) will yield 0.1dB lower NF and 0.6dB higher Gain.
- L3 is an output matching inductor.
- C5 is a RF bypass capacitor.
- PRL1 is a network that isolates the measurement demoboard from external disturbances. C3 and C4 mitigates the effect of external noise pickup on the VSD and VDD lines. These components are not required in actual operation.
- Bias control is achieved by either varying the VSD voltage without R1 or fixing the VSD voltage to VDD and varying R1. Typical value for R1 is 18k Ohm for 8mA total current at VDD=+2.85V.
- Higher gain and IP3 performance can be obtained by increasing the supply current. This can be achieved by reducing the value for R1 to obtain desired current.
- For low voltage operation such as 1.5V or 1.0V, the R1 may be omitted and VSD connected directly to the supply pins.

ALM-GA002 Typical Performance Curves, R1 = 18K Ohm (At 25°C unless specified otherwise)

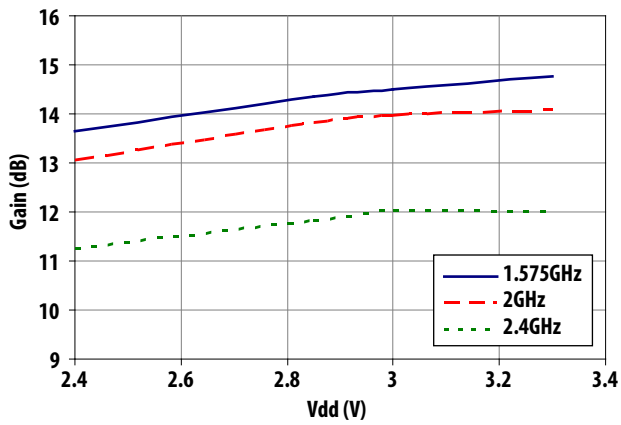


Figure 3. Gain vs Vdd vs Freq

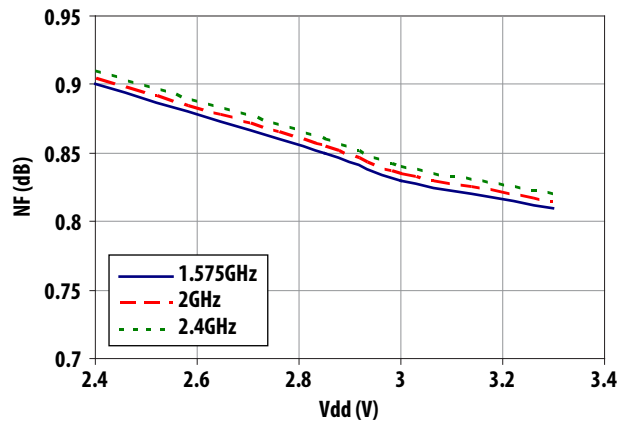


Figure 4. NF vs Vdd vs Freq

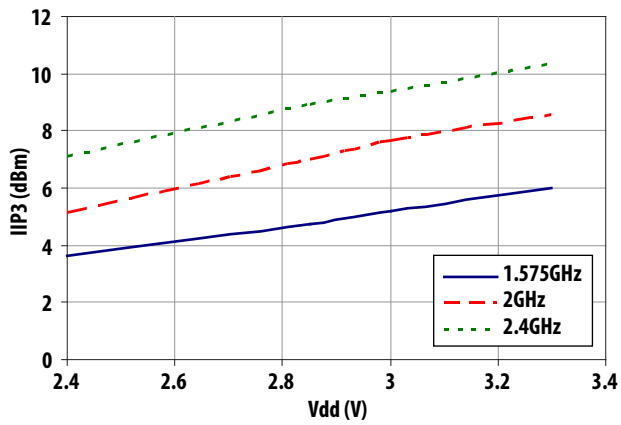


Figure 5. IIP3 vs Vdd vs Freq

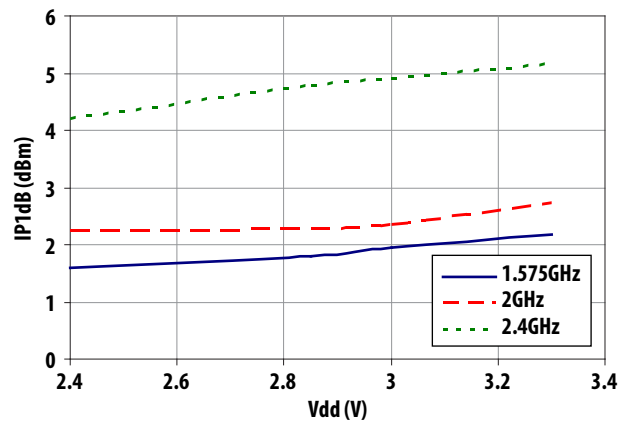


Figure 6. IP1dB vs Vdd vs Freq

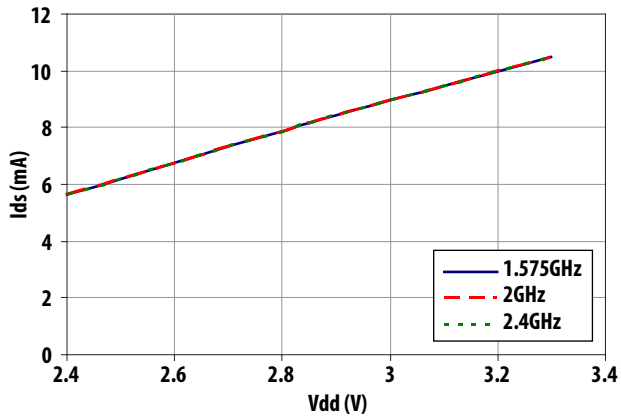


Figure 7. Ids vs Vdd vs Freq

ALM-GA002 Typical Performance Curves, R1 = 18K Ohm (At 25°C unless specified otherwise)

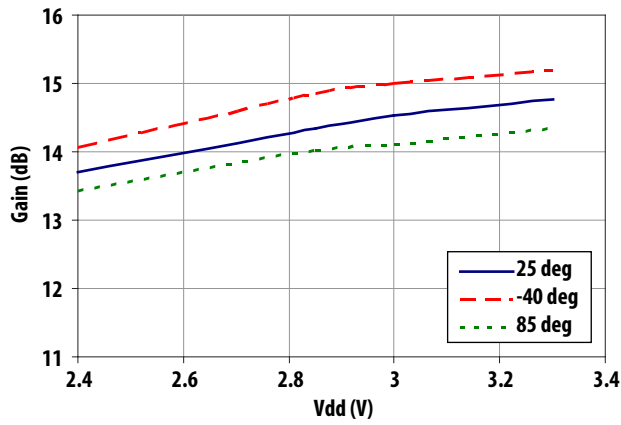


Figure 8. Gain vs Vdd vs Temp

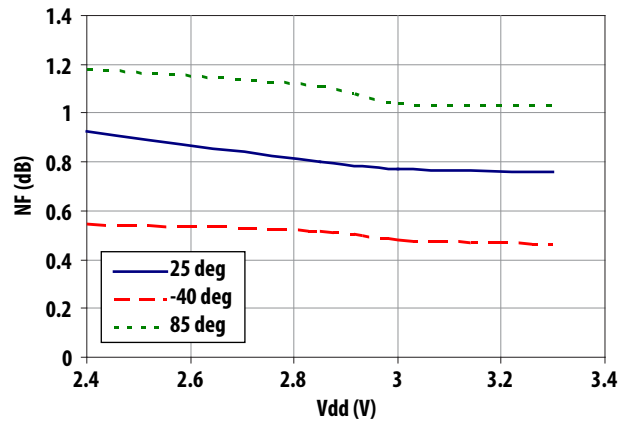


Figure 9. NF vs Vdd vs Temp

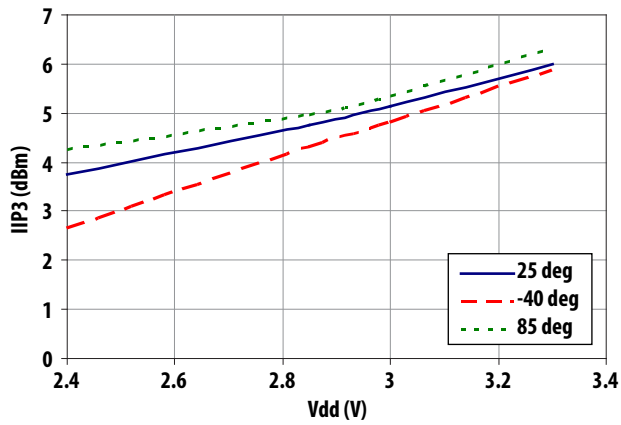


Figure 10. IIP3 vs Vdd vs Temp

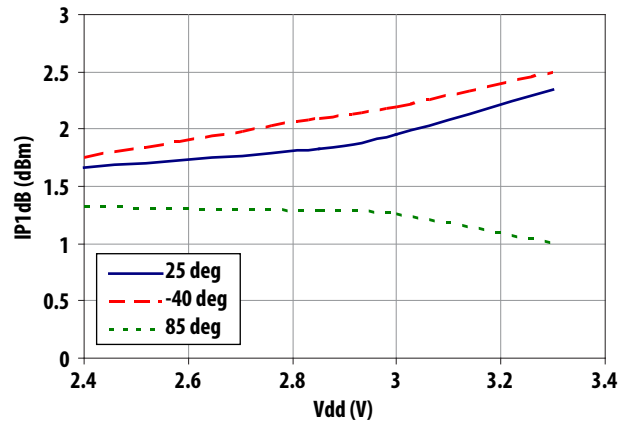


Figure 11. IP1dB vs Vdd vs Temp

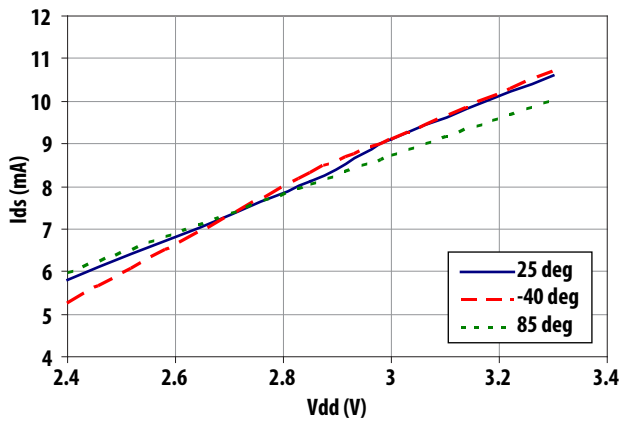


Figure 12. Ids vs Vdd vs Temp

ALM-GA002 Typical Scattering Parameters at 25°C, V_{DD} = 2.85V, I_{DS} = 8 mA

| Freq. (GHz) | S11 | | S21 | | | S12 | | | S22 | |
|----------------|-------|--------|-------|-------|-------|--------|-------|------|-------|--------|
| | Mag. | Ang. | (dB) | Mag. | Ang. | (dB) | Mag. | Ang. | Mag. | Ang. |
| 0.1 | 0.998 | -4.7 | 15.01 | 5.633 | 176.7 | -47.96 | 0.004 | 89.2 | 0.526 | -5 |
| 0.5 | 0.946 | -23.5 | 14.62 | 5.381 | 153.1 | -34.42 | 0.019 | 78.6 | 0.503 | -19 |
| 0.9 | 0.866 | -40.4 | 13.72 | 4.854 | 134.1 | -29.90 | 0.032 | 71.8 | 0.475 | -31.9 |
| 1 | 0.843 | -44.4 | 13.47 | 4.714 | 129.7 | -29.37 | 0.034 | 70.5 | 0.468 | -34.9 |
| 1.1 | 0.821 | -48.2 | 13.20 | 4.573 | 125.5 | -28.64 | 0.037 | 69.3 | 0.459 | -37.9 |
| 1.2 | 0.8 | -52 | 12.95 | 4.44 | 121.5 | -27.96 | 0.04 | 68.5 | 0.451 | -40.5 |
| 1.3 | 0.78 | -55.8 | 12.69 | 4.31 | 117.6 | -27.33 | 0.043 | 67.4 | 0.443 | -43.2 |
| 1.4 | 0.757 | -59.7 | 12.42 | 4.178 | 113.6 | -26.94 | 0.045 | 66.5 | 0.435 | -45.8 |
| 1.5 | 0.731 | -63.4 | 12.13 | 4.039 | 109.7 | -26.38 | 0.048 | 65.7 | 0.428 | -48.2 |
| 1.6 | 0.705 | -66.8 | 11.83 | 3.905 | 106.1 | -26.02 | 0.05 | 64.8 | 0.421 | -50.7 |
| 1.7 | 0.683 | -69.7 | 11.55 | 3.78 | 102.9 | -25.51 | 0.053 | 64.7 | 0.414 | -52.8 |
| 1.8 | 0.663 | -71.6 | 11.29 | 3.669 | 99.5 | -25.19 | 0.055 | 63.9 | 0.408 | -55.5 |
| 1.9 | 0.643 | -73.4 | 10.99 | 3.544 | 96 | -24.73 | 0.058 | 63.1 | 0.399 | -58 |
| 2 | 0.623 | -75.3 | 10.48 | 3.343 | 97 | -24.58 | 0.059 | 66.3 | 0.398 | -58.8 |
| 2.1 | 0.603 | -77.2 | 10.25 | 3.253 | 93.5 | -24.15 | 0.062 | 65.5 | 0.398 | -59.6 |
| 2.2 | 0.583 | -79 | 10.01 | 3.165 | 90.2 | -23.74 | 0.065 | 64.6 | 0.397 | -60.3 |
| 2.3 | 0.563 | -80.9 | 9.77 | 3.079 | 87 | -23.48 | 0.067 | 63.8 | 0.396 | -61.1 |
| 2.4 | 0.543 | -82.8 | 9.49 | 2.983 | 83.8 | -23.10 | 0.07 | 63 | 0.396 | -62.1 |
| 2.5 | 0.522 | -85.3 | 9.23 | 2.895 | 81.1 | -22.73 | 0.073 | 62.3 | 0.395 | -62.7 |
| 3 | 0.434 | -105.2 | 7.95 | 2.498 | 66.6 | -21.21 | 0.087 | 56.9 | 0.345 | -74.4 |
| 3.5 | 0.334 | -119.5 | 6.47 | 2.105 | 57.3 | -20.26 | 0.097 | 54 | 0.324 | -86.8 |
| 4 | 0.302 | -132.1 | 6.25 | 2.054 | 48.8 | -18.42 | 0.12 | 53.7 | 0.271 | -108 |
| 4.5 | 0.297 | -141.8 | 5.50 | 1.883 | 33.1 | -16.95 | 0.142 | 43.4 | 0.265 | -113.3 |
| 5 | 0.274 | -157.1 | 4.44 | 1.667 | 23.9 | -15.97 | 0.159 | 38 | 0.259 | -118.6 |
| 5.5 | 0.254 | -170.1 | 3.63 | 1.519 | 16.1 | -15.04 | 0.177 | 33.7 | 0.26 | -133.2 |
| 6 | 0.211 | 178.7 | 2.82 | 1.383 | 6.3 | -14.11 | 0.197 | 25.3 | 0.249 | -142.7 |
| 6.5 | 0.204 | 165.4 | 1.89 | 1.243 | -0.7 | -13.64 | 0.208 | 16.7 | 0.263 | -154.7 |
| 7 | 0.189 | 137.1 | 1.56 | 1.197 | -5.4 | -13.27 | 0.217 | 12.7 | 0.306 | -171.3 |
| 7.5 | 0.193 | 117.3 | 1.03 | 1.126 | -14.4 | -12.88 | 0.227 | 9.5 | 0.31 | 179.8 |
| 8 | 0.206 | 90.6 | 0.87 | 1.105 | -22.2 | -12.40 | 0.24 | 4.7 | 0.314 | 170.8 |

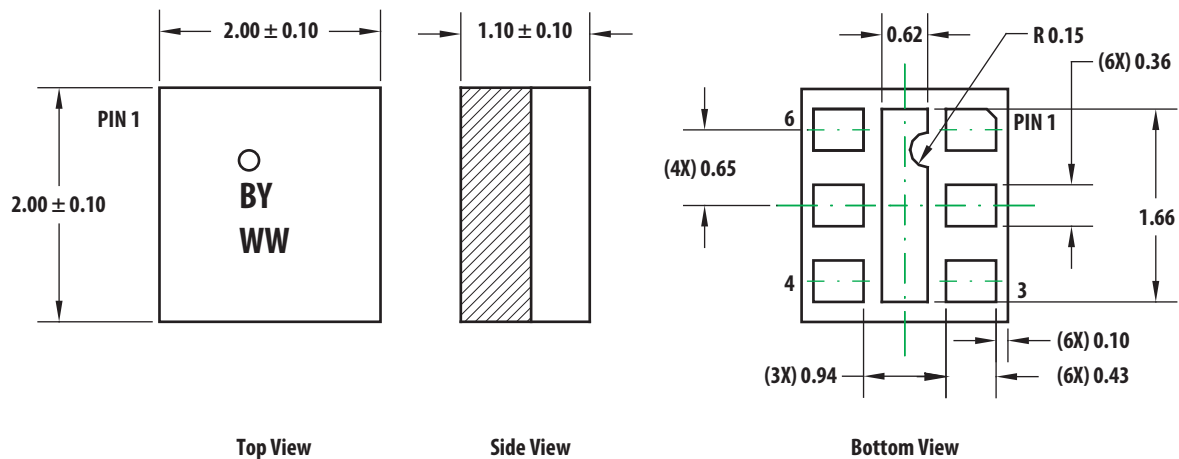
ALM-GA002 Typical Noise Parameters, $V_{DD} = 2.85V$, $I_{DS} = 8mA$

| Freq GHz | F_{min} dB | Γ_{opt} Mag. | Γ_{opt} Ang. | Rn/50 | NF @ 50 dB |
|----------|--------------|---------------------|---------------------|-------|------------|
| 0.5 | 0.53 | 0.64 | 13.8 | 0.41 | 1.46 |
| 0.9 | 0.65 | 0.69 | 32.2 | 0.28 | 1.07 |
| 1.5 | 0.8 | 0.71 | 47.4 | 0.24 | 1.22 |
| 1.7 | 0.82 | 0.69 | 58.1 | 0.22 | 1.14 |
| 2 | 0.91 | 0.68 | 59.5 | 0.23 | 1.1 |
| 2.4 | 0.93 | 0.64 | 71.3 | 0.27 | 1.72 |
| 3 | 1.21 | 0.52 | 99.2 | 0.16 | 1.45 |
| 3.5 | 1.33 | 0.44 | 135.8 | 0.12 | 1.6 |
| 4 | 1.69 | 0.35 | 161.3 | 0.08 | 1.27 |
| 4.5 | 1.73 | 0.31 | 171.3 | 0.06 | 1.47 |
| 5 | 1.82 | 0.32 | -179.6 | 0.06 | 1.65 |
| 5.5 | 1.98 | 0.34 | -171.2 | 0.08 | 2.16 |
| 5.8 | 2.37 | 0.43 | -174.8 | 0.14 | 2.88 |

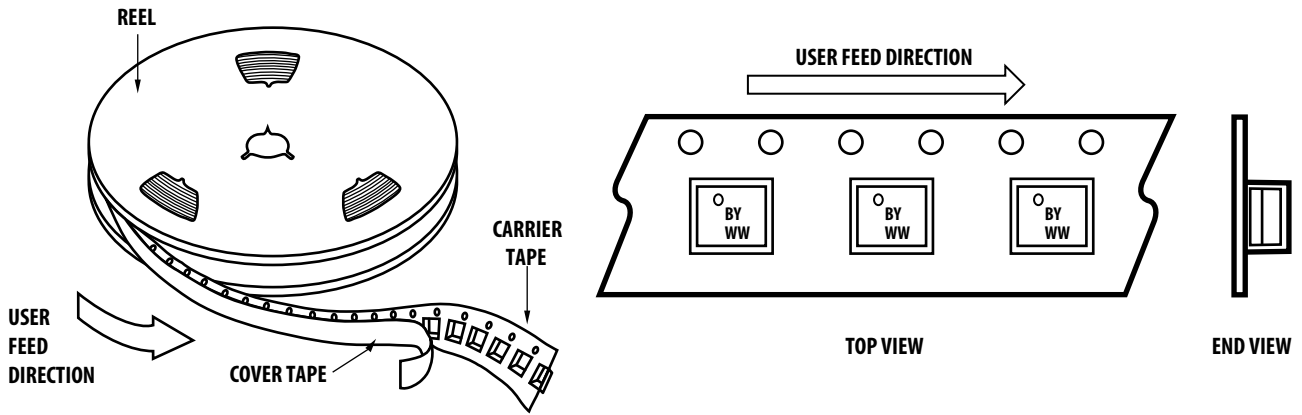
Part Number Ordering Information

| Part Number | No. of Devices | Container |
|----------------|----------------|----------------|
| ALM-GA002-BLKG | 100 | antistatic bag |
| ALM-GA002-TR1G | 3000 | 7" Reel |

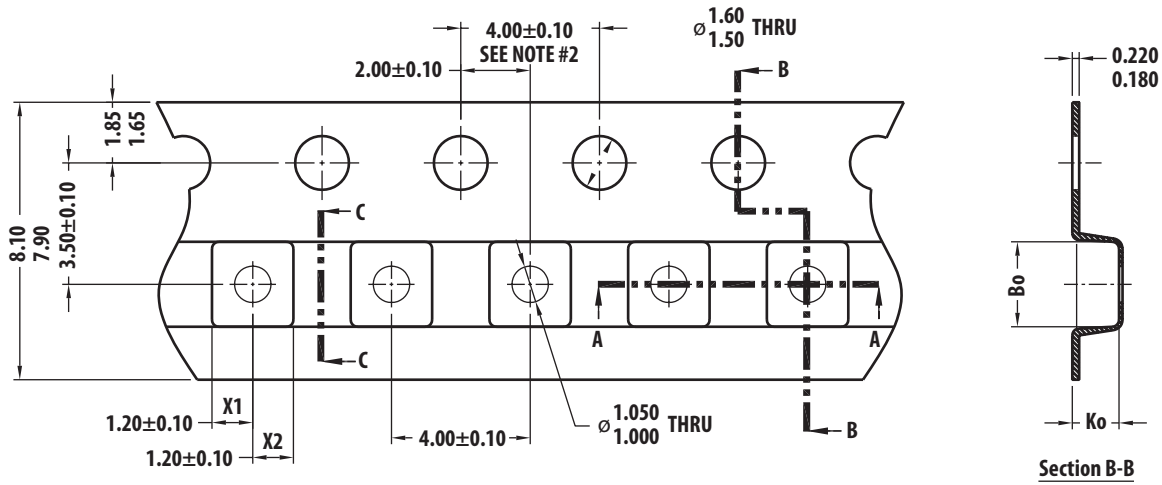
Package Dimensions



Device Orientation



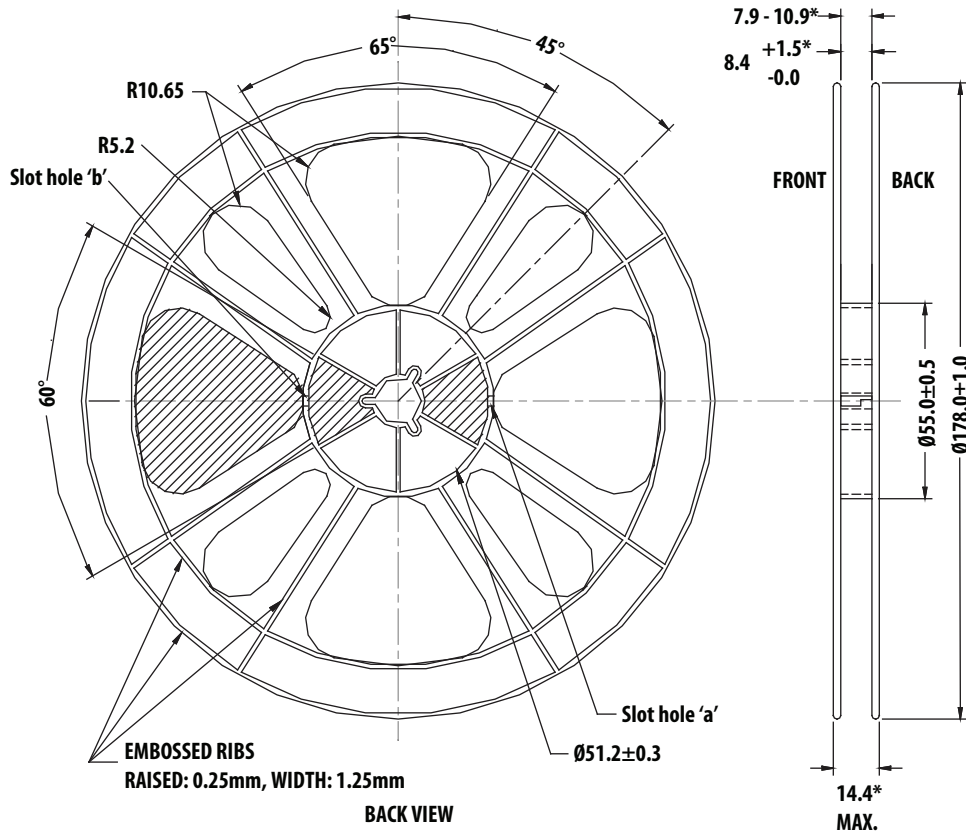
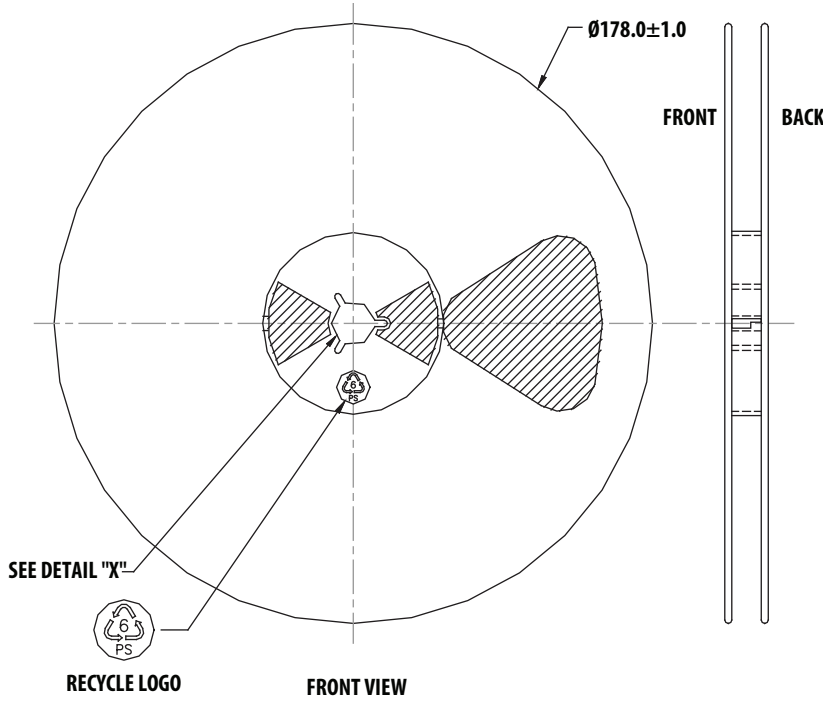
Tape Dimensions



Notes:

1. Measured from centerline of sprocket hole to centerline of pocket
 2. Cumulative tolerance of 10 sprocket holes is ± 0.20
- All dimensions in millimeters unless otherwise stated.

Reel Dimensions



For product information and a complete list of distributors, please go to our web site: www.avagotech.com

Avago, Avago Technologies, and the A logo are trademarks of Avago Technologies in the United States and other countries. Data subject to change. Copyright © 2005-2014 Avago Technologies. All rights reserved. AV02-4556EN - June 20, 2014

