



Chipsmall Limited consists of a professional team with an average of over 10 year of expertise in the distribution of electronic components. Based in Hongkong, we have already established firm and mutual-benefit business relationships with customers from,Europe,America and south Asia,supplying obsolete and hard-to-find components to meet their specific needs.

With the principle of “Quality Parts,Customers Priority,Honest Operation,and Considerate Service”,our business mainly focus on the distribution of electronic components. Line cards we deal with include Microchip,ALPS,ROHM,Xilinx,Pulse,ON,Everlight and Freescale. Main products comprise IC,Modules,Potentiometer,IC Socket,Relay,Connector.Our parts cover such applications as commercial,industrial, and automotives areas.

We are looking forward to setting up business relationship with you and hope to provide you with the best service and solution. Let us make a better world for our industry!



## Contact us

Tel: +86-755-8981 8866 Fax: +86-755-8427 6832

Email & Skype: info@chipsmall.com Web: www.chipsmall.com

Address: A1208, Overseas Decoration Building, #122 Zhenhua RD., Futian, Shenzhen, China



# ALM-GN002

## GNSS LNA-Filter Front-End Module with optional Differential Outputs



### Data Sheet

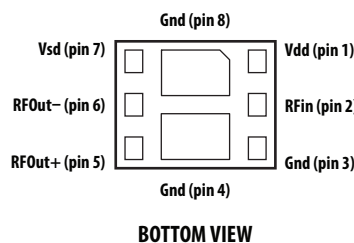
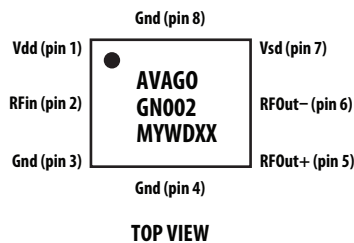
#### Description

Avago Technologies' ALM-GN002 is an ultra low-noise GNSS (Global Navigation Satellite System) front-end module that combines a low-noise amplifier (LNA) with a GNSS FBAR post-LNA filter, supporting both GPS and GLONASS operating in 1565 ~ 1606 MHz frequency range. The module can be used both as a single-ended and pre-matched differential outputs. The LNA uses Avago Technologies' proprietary GaAs Enhancement-mode pHEMT process to achieve high gain with very low noise figure and high linearity. Noise figure distribution is very tightly controlled. A CMOS-compatible shutdown pin is included either for turning the LNA on/off, or for current adjustment. The integrated filter utilizes an Avago Technologies' leading-edge FBAR filter for exceptional rejection at Cellular, DCS, PCS and WLAN band frequencies. Bypass functionality with an external RF switch is possible with separate RF switching.

The ALM-GN002 is usable down to 1.8 V operation. It achieves low noise figures and high gain even at 1.8 V, making it suitable for use in critical low power GNSS band applications.

#### Component Image

Surface Mount (2.5 x 2.0 x 0.90) mm<sup>3</sup> 8-lead MCOB



Note:  
Package marking provides orientation and identification  
"GN002" = Product Code  
"M" = Manufacturing location  
"Y" = Year of manufacture  
"D" = Date Code  
"W" = Work week  
"XX" = Last four digits of lot number

#### Features

- Operating temperature range -40 to +85 °C
- Very Low Noise Figure: 0.97 dB typ.
- Exceptional Cell/DCS/PCS/WLAN-Band rejection
- Advanced GaAs E-pHEMT & FBAR Technology
- Shutdown current : < 1 μA
- CMOS compatible shutdown pin (SD)
- ESD : > 3 kV at RFin pin
- 0.90 mm typ. package thickness
- Adjustable bias current via single control voltage pin
- Small package dimension: 2.5(L) x 2.0(W) x 0.9(H) mm<sup>3</sup>
- Meets MSL3, Lead-free and halogen free

#### Specifications (Typical performance at 25° C)

At 1.575 GHz, Vdd = 2.7 V, Idd = 6.2 mA

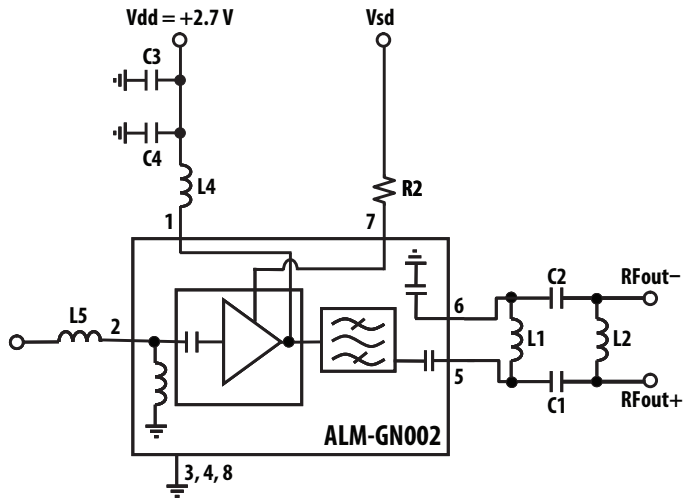
- Gain = 17.2 dB
- NF = 0.97 dB
- IIP3 = 0dBm, IP1dB = -8 dBm
- S11 = -8 dB, S22 = -13 dB
- Rejection at 824 – 915 MHz: 73 dBc
- Rejection at 1710 – 1785 MHz: 64 dBc
- Rejection at 1850 – 1910 MHz: 72 dBc
- Rejection at 2400 – 2570 MHz: 74 dBc

#### Application

- GNSS Front-end Module

**Attention: Observe precautions for handling electrostatic sensitive devices.**  
ESD Machine Model = 50 V  
ESD Human Body Model = 250 V  
Refer to Avago Application Note A004R: Electrostatic Discharge, Damage and Control.

## Application Circuit (Differential output)



### Absolute Maximum Rating<sup>[1]</sup> $T_A=25^\circ\text{C}$

| Symbol       | Parameter  | Units            | Absolute Maximum |
|--------------|--|------------------|------------------|
| Vdd          | Device Drain to Source Voltage <sup>[2]</sup>    | V                | 4.0              |
| Idd          | Drain Current <sup>[2]</sup>                     | mA               | 15               |
| $P_{in,max}$ | CW RF Input Power<br>(Vdd = 2.7 V, Idd = 6.2 mA) | dBm              | 15               |
| $P_{diss}$   | Total Power Dissipation <sup>[4]</sup>           | mW               | 60               |
| $T_j$        | Junction Temperature                             | $^\circ\text{C}$ | 150              |
| $T_{STG}$    | Storage Temperature                              | $^\circ\text{C}$ | -65 to 150       |

### Thermal Resistance

**Thermal Resistance<sup>[3]</sup>**  
**(Vdd = 2.7 V, Idd = 6.2 mA)**  
 $\theta_{jc} = 92^\circ\text{C/W}$

Notes:

1. Operation of this device in excess of any of these limits may cause permanent damage.
2. Assuming DC quiescent conditions.
3. Thermal resistance measured using Infra-Red measurement technique.
4. Board (module belly) temperature  $T_B$  is  $25^\circ\text{C}$ . Derate at  $10.4\text{ mW}/^\circ\text{C}$  for  $T_B > 144^\circ\text{C}$ .

## Electrical Specifications

T<sub>A</sub> = 25° C, Freq = 1.575 GHz and 1.6017 GHz, measured on differential output board as in Figure 1.

**Table 1. Performance at V<sub>dd</sub> = V<sub>sd</sub> = 2.7 V, I<sub>dd</sub> = 6.2 mA (R<sub>2</sub> = 3.3 kohm) nominal operating conditions**

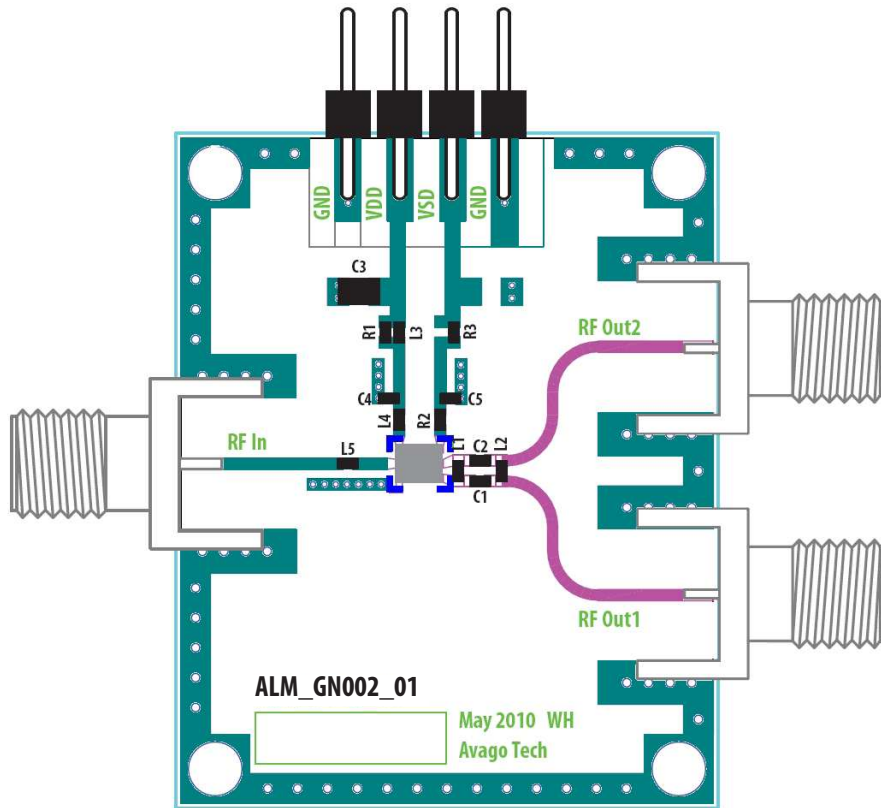
| Symbol                              | Parameter and Test Condition  | Unit | At 1.575 GHz |      |      | At 1.6017 GHz |      |      |
|-------------------------------------|---|------|--------------|------|------|---------------|------|------|
|                                     |   |      | Min.         | Typ. | Max. | Min.          | Typ. | Max. |
| <b>Passband Performance</b>         |   |      |              |      |      |               |      |      |
| G <sup>[1]</sup>                    | Gain  | dB   | 15           | 17.2 | 19   | 13            | 15.8 | 18   |
| NF <sup>[2]</sup>                   | Noise Figure  | dB   | -            | 0.97 | 1.4  | -             | 1.08 | 1.5  |
| IP1dB                               | Input 1dB Compressed Power  | dBm  | -            | -8   | -    | -             | -8   | -    |
| IIP3 <sup>[3]</sup>                 | Input 3 <sup>rd</sup> Order Intercept Point (2-tone at Fc +/- 2.5MHz)                       | dBm  | -            | 0    | -    | -             | 0    | -    |
| S11                                 | Input Return Loss   | dB   | -            | -8   | -    | -             | -8   | -    |
| S22 / S33                           | Output Return Loss (RFOut+/RFOut-)  | dB   | -            | -13  | -    | -             | -8   | -    |
| S12                                 | Reverse Isolation   | dB   | -            | -30  | -    | -             | -31  | -    |
| CMRR                                | Common mode rejection ratio   | dB   | 25           | 32   | -    | 25            | 33   | -    |
| I <sub>dd</sub>                     | Supply DC current at Shutdown (SD) voltage V <sub>sd</sub> = 2.7 V                          | mA   | -            | 6.2  | 10   | -             | -    | -    |
| I <sub>sh</sub>                     | Shutdown Current at V <sub>sd</sub> = 0 V   | μA   | -            | 0.5  | -    | -             | -    | -    |
| <b>Out of Band Performance</b>      |   |      |              |      |      |               |      |      |
| B5/CDMA/GSM850/B8/GSM900 Rejection  | Worst-case relative to 1.575GHz within (824-915) MHz band, tested at 915 MHz                | dBc  | 67           | 73.1 | -    | -             | -    | -    |
| B3/GSM1700 Rejection                | Worst-case relative to 1.575GHz within (1710-1785) MHz band, tested at 1710 MHz             | dBc  | 50           | 63.5 | -    | -             | -    | -    |
| B2/CDMA1900/GSM1900 Rejection       | Worst-case relative to 1.575GHz within (1850-1910) MHz band, tested at 1850 MHz             | dBc  | 58           | 71.6 | -    | -             | -    | -    |
| ISM/WiMax Rejection                 | Worst-case relative to 1.575GHz within (2400-2570) MHz band, tested at 2400 MHz             | dBc  | 63           | 73.6 | -    | -             | -    | -    |
| IP1dB <sub>915MHz</sub>             | Input 1dB gain compression interferer signal level at 915 MHz                               | dBm  | -            | -5   | -    | -             | -    | -    |
| IP1dB <sub>1710MHz</sub>            | Input 1dB gain compression interferer signal level at 1710 MHz                              | dBm  | -            | -12  | -    | -             | -    | -    |
| IP1dB <sub>1850MHz</sub>            | Input 1dB gain compression interferer signal level at 1850 MHz                              | dBm  | -            | -8   | -    | -             | -    | -    |
| IP1dB <sub>2400MHz</sub>            | Input 1dB gain compression interferer signal level at 2400 MHz                              | dBm  | -            | 3    | -    | -             | -    | -    |
| OOB IIP2 <sup>[4]</sup>             | Out of Band Input 2 <sup>nd</sup> Order Intercept Point (2-tone at 824.6 MHz and 2400 MHz)  | dBm  | -            | 12   | -    | -             | -    | -    |
| OOB IIP3 <sup>[5]</sup>             | Out of Band Input 3 <sup>rd</sup> Order Intercept Point (2-tone at 1712.7 MHz and 1850 MHz) | dBm  | -            | 23   | -    | -             | -    | -    |
| H2 <sub>788MHz</sub> <sup>[6]</sup> | 2 <sup>nd</sup> Harmonics of signal at 788 MHz  | dBm  | -            | -34  | -    | -             | -    | -    |

**Table 2. Performance at Vdd = Vsd = 1.8 V, Idd = 4 mA (R2 = 2.2 kohm) nominal operating conditions**

| Symbol                                 | Parameter and Test Condition   | Units | At 1.575GHz<br>(Typ.) |
|--|--|-------|-----------------------|
| <b>Passband Performance</b>            |  |       |                       |
| G                                      | Gain   | dB    | 15.2                  |
| NF <sup>[2]</sup>                      | Noise Figure   | dB    | 1.22                  |
| IP1dB                                  | Input 1dB Compressed Power   | dBm   | -11.5                 |
| IIP3 <sup>[3]</sup>                    | Input 3 <sup>rd</sup> Order Intercept Point (2-tone at Fc +/- 2.5 MHz)                         | dBm   | -5                    |
| S11                                    | Input Return Loss  | dB    | -7                    |
| S22                                    | Output Return Loss   | dB    | -8                    |
| S12                                    | Reverse Isolation  | dB    | -31                   |
| CMRR                                   | Common mode rejection ratio  | dB    | 31                    |
| Idd                                    | Supply DC current at Shutdown (SD) voltage Vsd = 2.7 V   | mA    | 4                     |
| Ish                                    | Shutdown Current at Vsd = 0 V  | uA    | 0.5                   |
| <b>Out of Band Performance</b>         |  |       |                       |
| B5/CDMA/GSM850/B8/<br>GSM900 Rejection | Worst-case relative to 1.575 GHz within<br>(824-915) MHz band, tested at 915 MHz               | dBc   | 74                    |
| B3/GSM1700 Rejection                   | Worst-case relative to 1.575 GHz within<br>(1710-1785) MHz band, tested at 1710 MHz            | dBc   | 59                    |
| B2/CDMA1900/<br>GSM1900 Rejection      | Worst-case relative to 1.575 GHz within<br>(1850-1910) MHz band, tested at 1850 MHz            | dBc   | 80                    |
| ISM / WiMax Rejection                  | Worst-case relative to 1.575 GHz within<br>(2400-2570) MHz band, tested at 2400 MHz            | dBc   | 82                    |
| IP1dB <sub>915MHz</sub>                | Input 1dB gain compression interferer signal level at 915 MHz                                  | dBm   | -5                    |
| IP1dB <sub>1710MHz</sub>               | Input 1dB gain compression interferer signal level at 1710 MHz                                 | dBm   | -12                   |
| IP1dB <sub>1850MHz</sub>               | Input 1dB gain compression interferer signal level at 1850 MHz                                 | dBm   | -9                    |
| IP1dB <sub>2400MHz</sub>               | Input 1dB gain compression interferer signal level at 2400 MHz                                 | dBm   | 2                     |
| OOB IIP2 <sup>[4]</sup>                | Out of Band Input 2 <sup>nd</sup> Order Intercept Point<br>(2-tone at 824.6 MHz and 2400 MHz)  | dBm   | 7                     |
| OOB IIP3 <sup>[5]</sup>                | Out of Band Input 3 <sup>rd</sup> Order Intercept Point<br>(2-tone at 1712.7 MHz and 1850 MHz) | dBm   | 23                    |
| H2 <sub>788MHz</sub> <sup>[6]</sup>    | 2 <sup>nd</sup> Harmonics of signal at 788 MHz   | dBm   | -31                   |

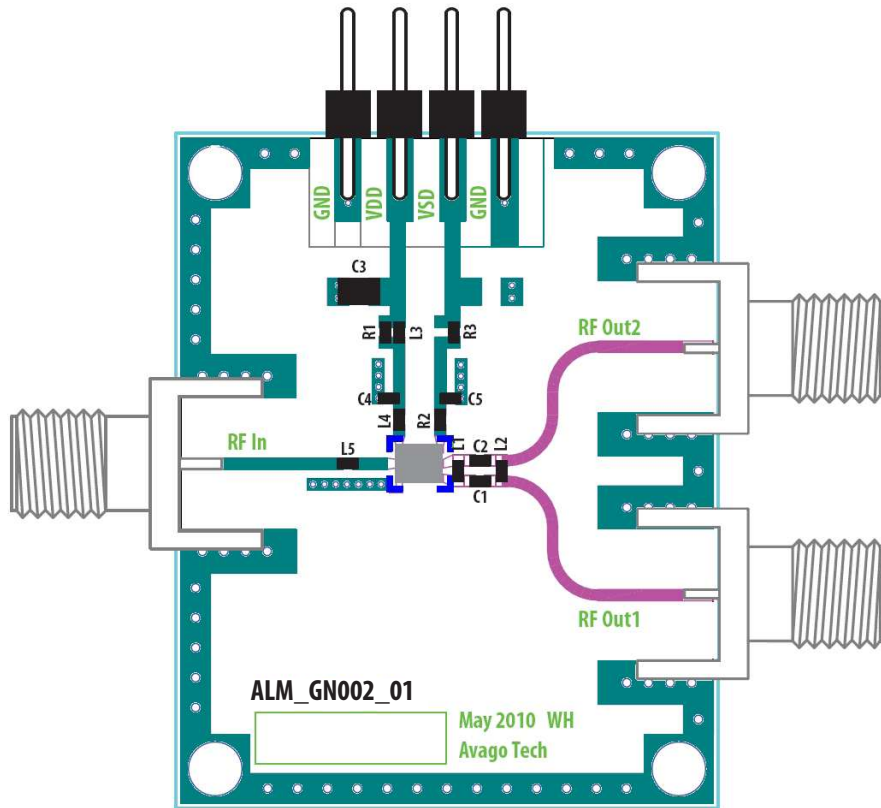
Notes:

1. Measured with differential outputs
2. Losses from demoboard deembedded
3. 1.575 GHz IIP3 test condition:  $F_{RF1} = 1572.5$  MHz,  $F_{RF2} = 1577.5$  MHz with input power of -20 dBm per tone measured at the worst case side band
4. OOB Input IP2 test condition: Input jammer tones: 824.6 MHz at -17 dBm and 2400 MHz at -40 dBm. Output IM2 tone at 1575.4 MHz
5. 1.575 GHz IIP3 test condition:  $F_{RF1} = 1712.7$  MHz,  $F_{RF2} = 1850$  MHz with input power of 10 dBm per tone measured at the worst case side band
6. H2 test condition: Input tone: 788 MHz at -17 dBm



| Circuit Symbol | Size | Description                                       |
|----------------|------|---|
| L1             | 0402 | 5.6 nH Inductor (Taiyo Yuden HK10055N6S-T)        |
| L2             | 0402 | 10 nH Inductor (Taiyo Yuden HK100510NJ-T)         |
| L3             | 0402 | 22 nH Inductor (Taiyo Yuden HK100522NJ-T)         |
| L4             | 0402 | 2.2 nH Inductor (Taiyo Yuden HK10052N2S-T)        |
| L5             | 0402 | 10 nH Inductor (Taiyo Yuden HK100510NJ-T)         |
| C1             | 0402 | 1.6 pF Capacitor (Murata GJM1555C1H1R6CB01D)      |
| C2             | 0402 | 100 pF Capacitor (Murata GRM1555C1H101JD01E)      |
| C3             | 0805 | 0.1 $\mu$ F Capacitor (Murata GRM21BR71H104KA01L) |
| C4             | 0402 | 33 pF Capacitor (Murata GRM1555C1H330JZ01D)       |
| C5             | 0402 | 6.8 pF Capacitor (Murata GJM1555C1H6R8DB01D)      |
| R1             | 0402 | 12 Ohm Resistor (Rohm MCR01MZSJ120)               |
| R2             | 0402 | 3.3 kohm (KOA RK73B1ETTP332J)                     |
| R3             | 0402 | 0 Ohm (Kamaya RMC1/16S-JPTH)                      |

Figure 1. Demoboard and application circuit components table for differential output



| Circuit Symbol | Size | Description                                       |
|----------------|------|---|
| L1             | 0402 | Not applicable                                    |
| L2             | 0402 | Not applicable                                    |
| L3             | 0402 | 22 nH Inductor (Taiyo Yuden HK100522NJ-T)         |
| L4             | 0402 | 2.2 nH Inductor (Taiyo Yuden HK10052N2S-T)        |
| L5             | 0402 | 10 nH Inductor (Taiyo Yuden HK100510NJ-T)         |
| C1             | 0402 | 0 Ohm Resistor (Kamaya RMC1/16S-JPTH)             |
| C2             | 0402 | Not applicable                                    |
| C3             | 0805 | 0.1 $\mu$ F Capacitor (Murata GRM21BR71H104KA01L) |
| C4             | 0402 | 33 pF Capacitor (Murata GRM1555C1H330JZ01D)       |
| C5             | 0402 | 6.8 pF Capacitor (Murata GJM1555C1H6R8DB01D)      |
| R1             | 0402 | 12 Ohm Resistor (Rohm MCR01MZS1120)               |
| R2             | 0402 | 3.3 kohm Resistor (KOA RK73B1ETTP332J)            |
| R3             | 0402 | 0 Ohm Resistor (Kamaya RMC1/16S-JPTH)             |

Figure 2. Demoboard and application circuit components table for single-ended output (for illustration purposes, refer to application notes for data)

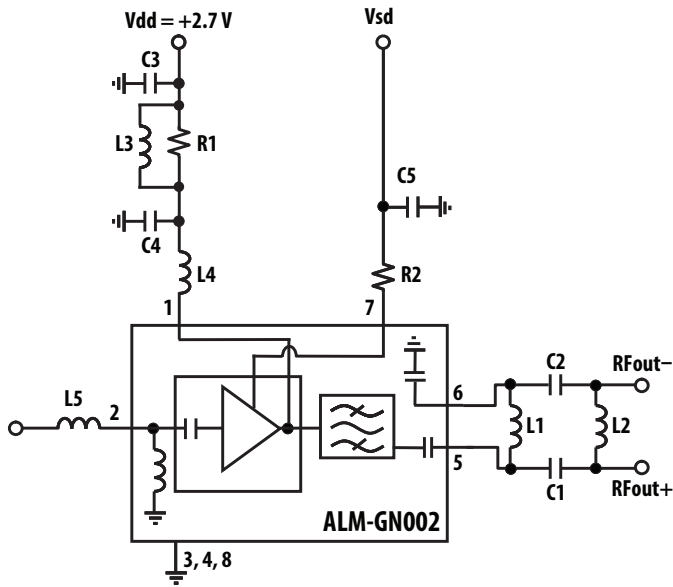


Figure 3a. Application Circuit – Differential outputs

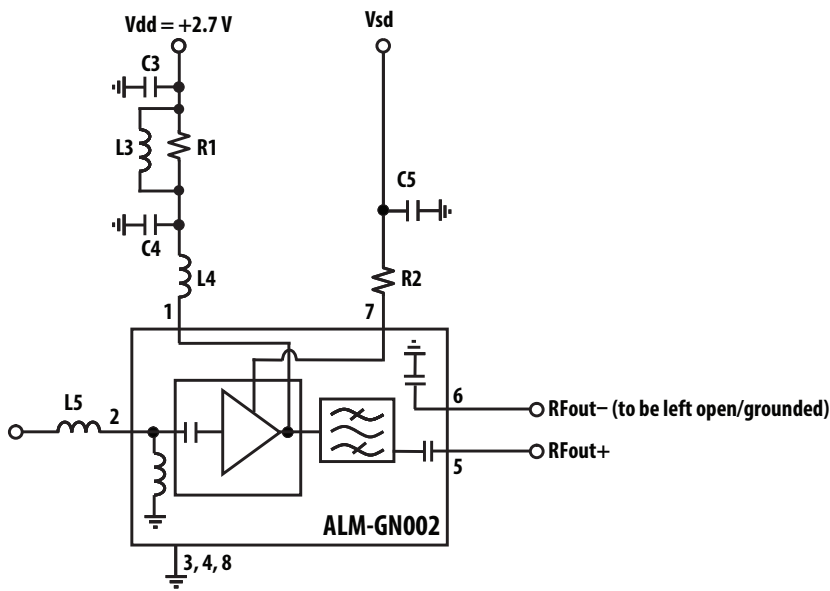


Figure 3b. Application Circuit – Single-ended output

Notes:

- The ALM-GN002 can be operated with supply voltage (Vdd) from 1.8 V to 3.6 V. Vsd can operate from 1 V to Vdd.
- RF input match is achieved by a single series inductor, L5. It is used to match the module for best NF and S11.
- The differential outputs of the module are already pre-matched. Suggested matching components are shown as L1, L2, C1 and C2 for 100 ohm differential load impedance. In practice, they may be tuned to match the RF GPS System on Chip (SoC) with a different input impedance, or an SoC that is located a significant distance away from the module such that the phase shift of the transmission lines connecting the module and SoC are not negligible.
- Best noise performance is obtained using high-Q wirewound inductors. This circuit demonstrates that low noise figures are obtainable with standard 0402 chip inductors.
- C3 and C4 are bypass capacitors for RF and low frequency stability and linearity.
- Bias control is achieved by either varying the Vsd voltage with/ without R2, or fixing the Vsd voltage to Vdd and adjusting R2 for the desired current.
- L3 and R1 isolates the demoboard from external disturbances during measurement. They are not needed in actual application. Likewise, C5 mitigate the effect of external noise pickup on the Vsd line. This component is not required in actual operation.



## ALM-GN002 Typical Performance Curves

Unless otherwise stated, all measurements are made with circuit of Figure 13a using demoboard of Figure 1 with  $V_{dd} = 2.7\text{ V}$ ,  $I_{dd} = 6.2\text{ mA}$  ( $R_2 = 3.3\text{ kohm}$ ,  $V_{sd} = 2.7\text{ V}$ ) at  $25\text{ }^\circ\text{C}$ .

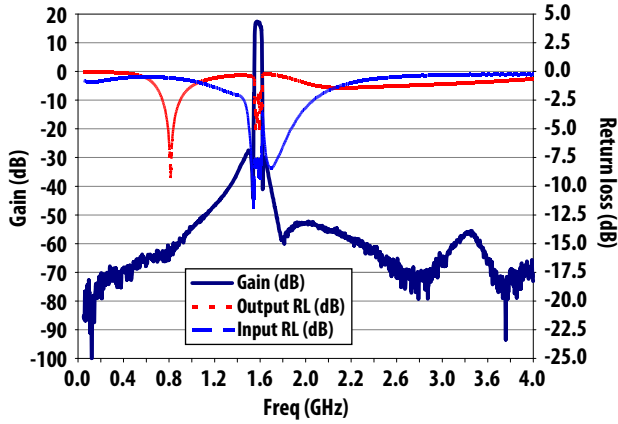


Figure 4a. Typical S-Parameter Plot

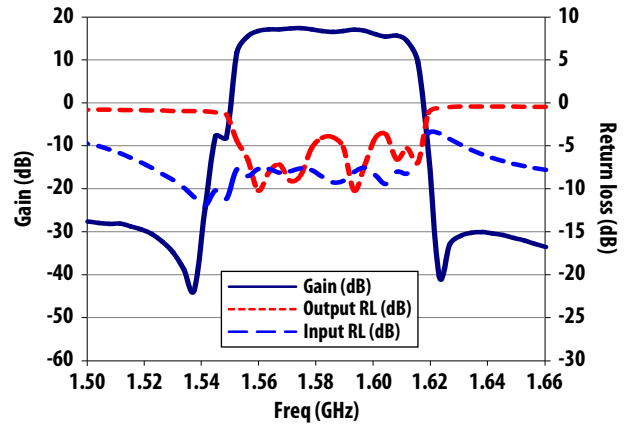


Figure 4b. Passband response of typical S-Parameter Plot

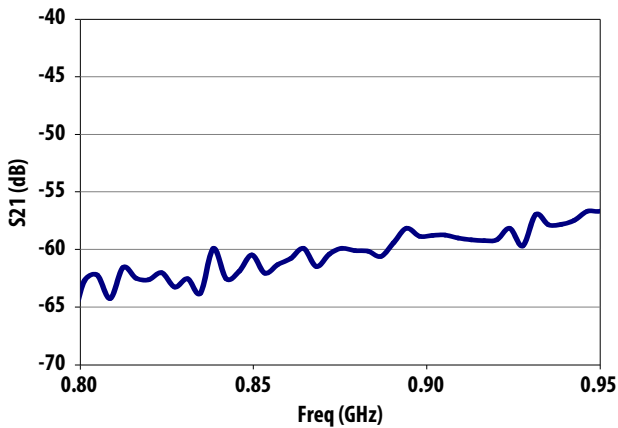


Figure 4c. Rejection plot for (800 – 950) MHz

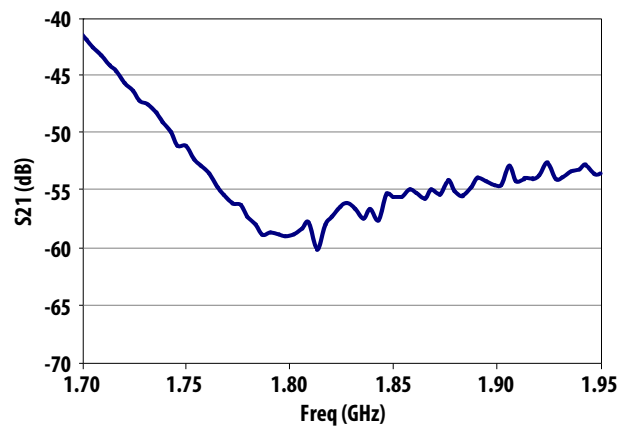


Figure 4d. Rejection plot for (1700 – 1950) MHz

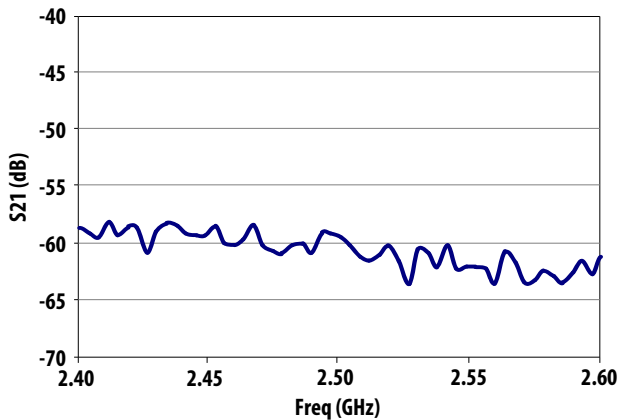


Figure 4e. Rejection plot for (2400 – 2600) MHz

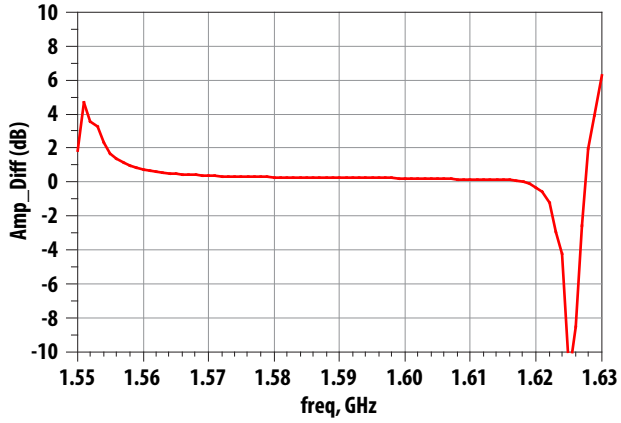


Figure 5. Amplitude imbalance for RFout+ and RFout- ports

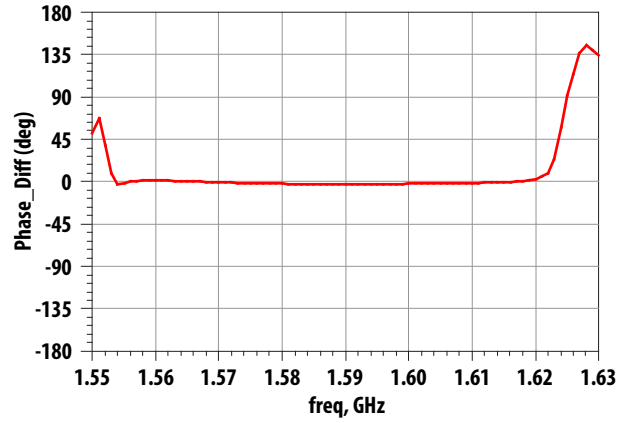


Figure 6. Phase imbalance for RFout+ and RFout- ports

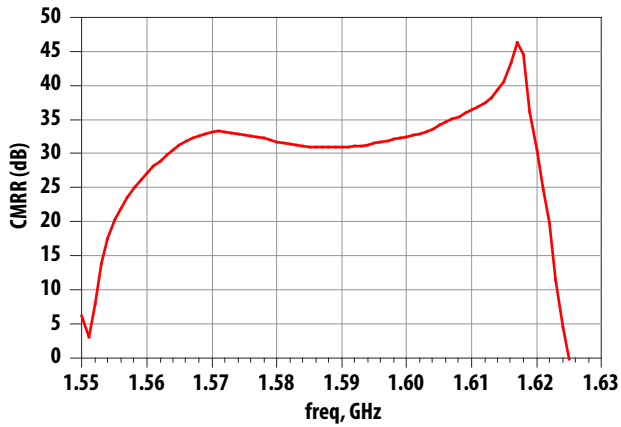


Figure 7. Common-mode rejection ratio

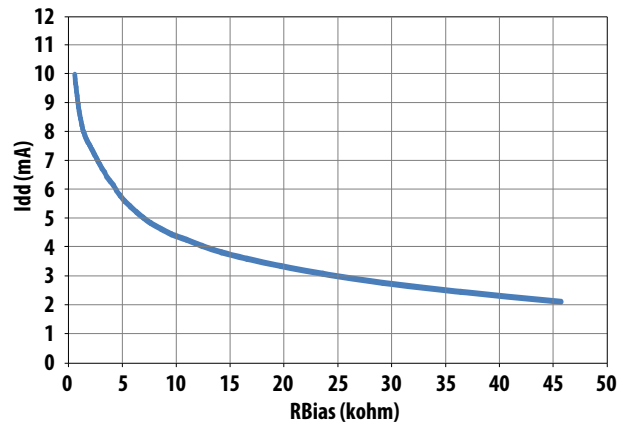


Figure 8. Idd vs. R2

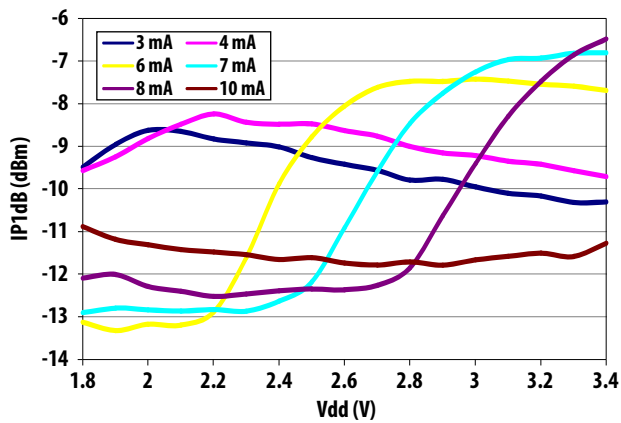


Figure 9. IP1dB vs. Vdd. Measurements made with RFout- port terminated with 50 ohm load to ground

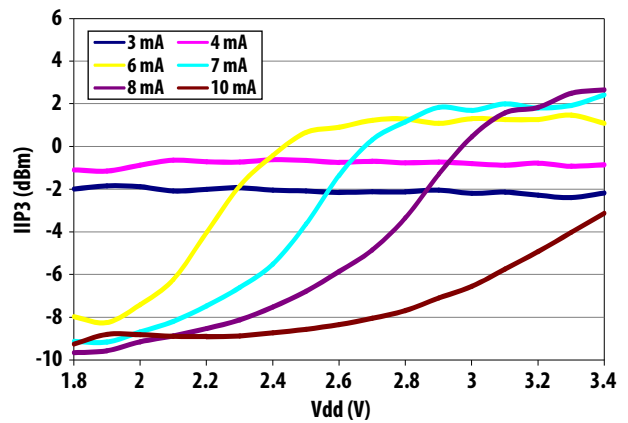


Figure 10. IIP3 vs. Vdd. Measurements made with RFout- port terminated with 50 ohm load to ground

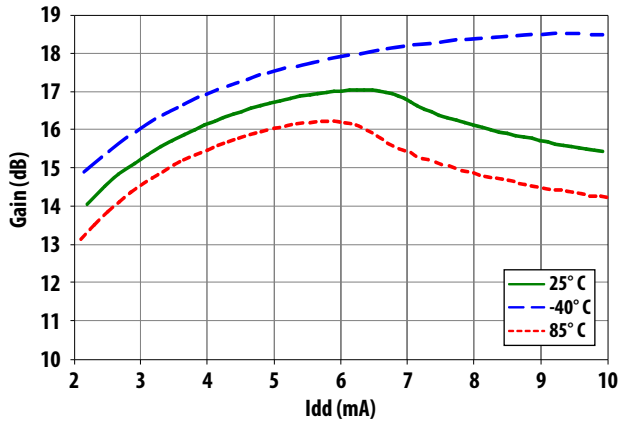


Figure 11. Gain vs. Idd at 1.575 GHz

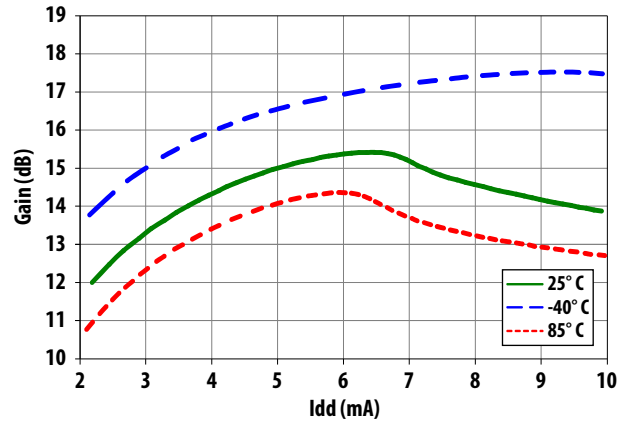


Figure 12. Gain vs. Idd at 1.6017 GHz

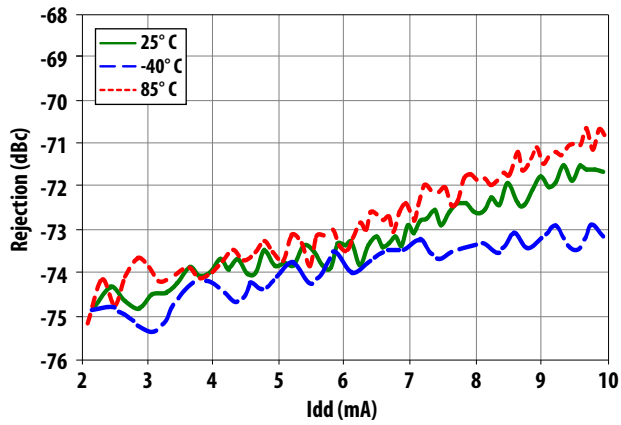


Figure 13. Rejection at 915 MHz relative to 1.575 GHz vs. Idd

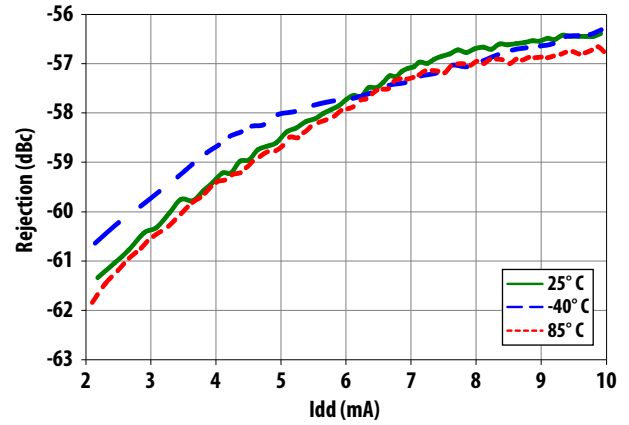


Figure 14. Rejection at 1710 MHz relative to 1.575 GHz vs. Idd

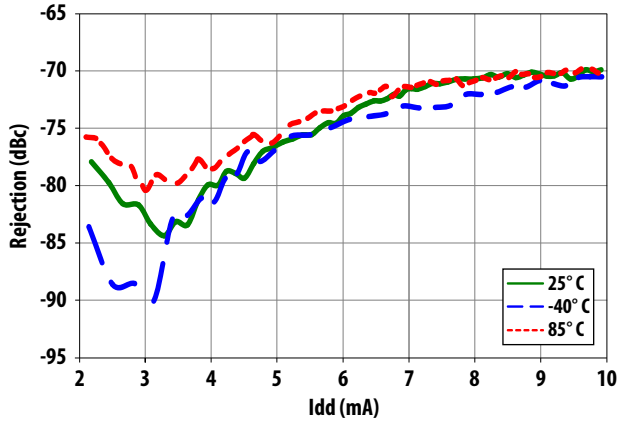


Figure 15. Rejection at 1850 MHz relative to 1.575 GHz vs. Idd

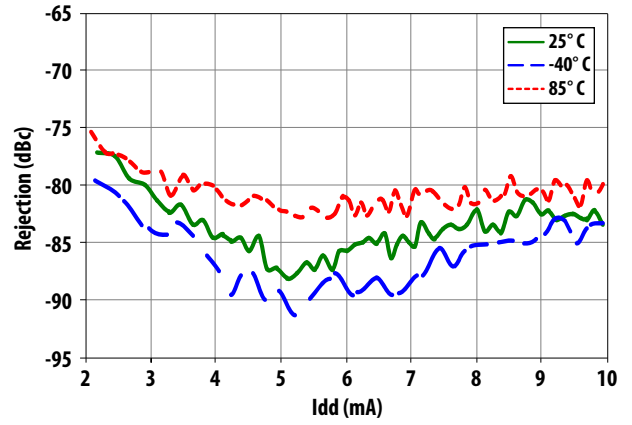


Figure 16. Rejection at 2400 MHz relative to 1.575 GHz vs. Idd

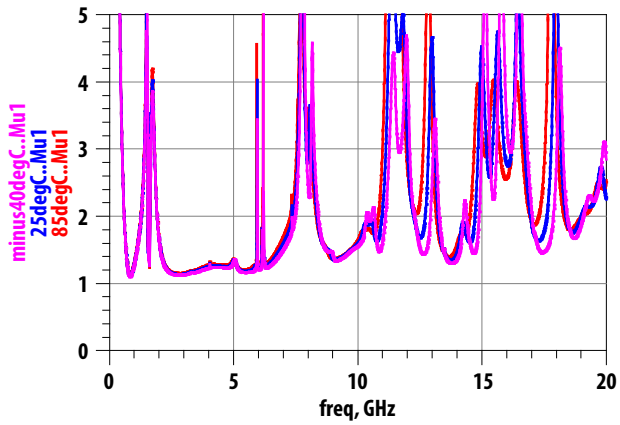


Figure 17. Edwards-Sinsky Output Stability Factor (Mu)

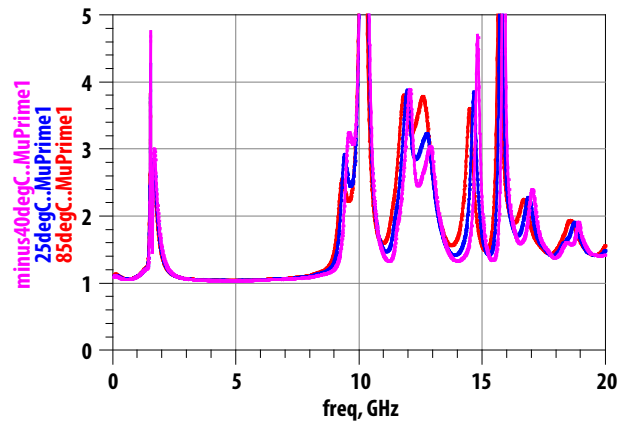


Figure 18. Edwards-Sinsky Input Stability Factor (Mu')

## ALM-GN002 Typical Performance Curves

Unless otherwise stated, all measurements are made with circuit of Figure 13a using demoboard of Figure 1 with  $V_{dd} = 1.8\text{ V}$ ,  $I_{dd} = 4\text{ mA}$  ( $R2 = 2.2\text{ kohm}$ ,  $V_{sd} = 1.8\text{ V}$ ) at  $25^\circ\text{ C}$ .

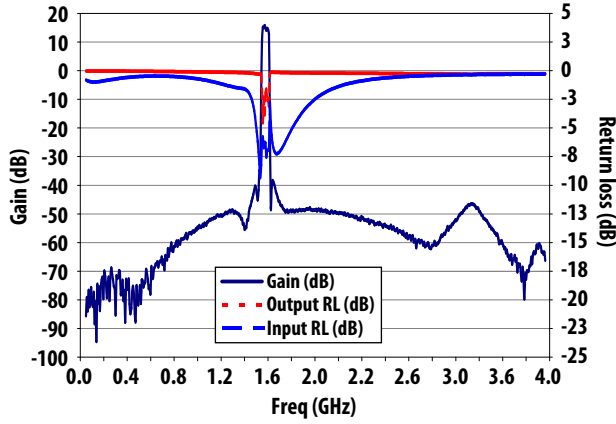


Figure 19a. Typical S-Parameter Plot

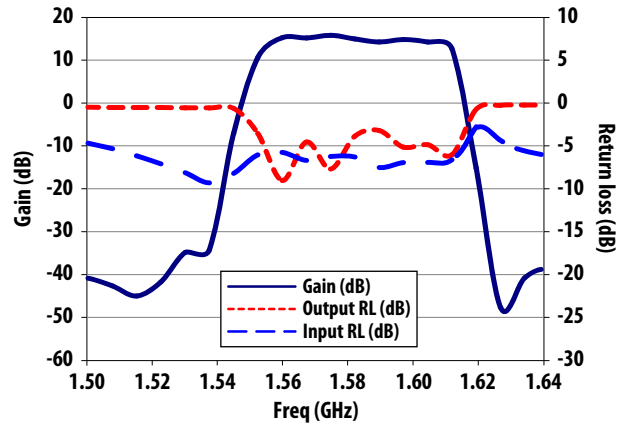


Figure 19b. Passband response of typical S-Parameter Plot

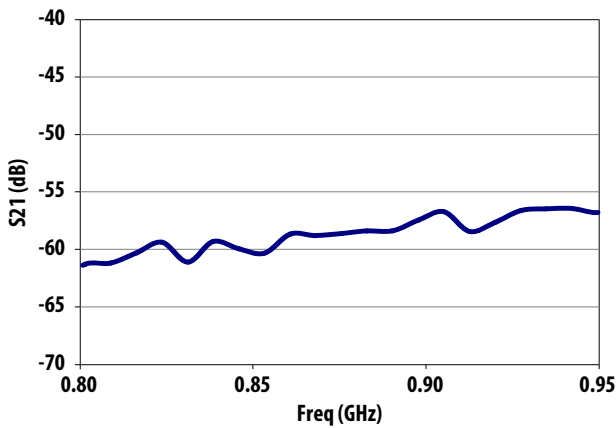


Figure 19c. Rejection plot for (800 – 950) MHz

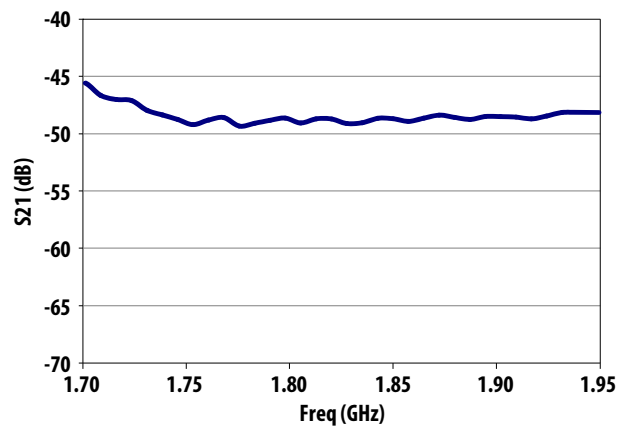


Figure 19d. Rejection plot for (1700 – 1950) MHz

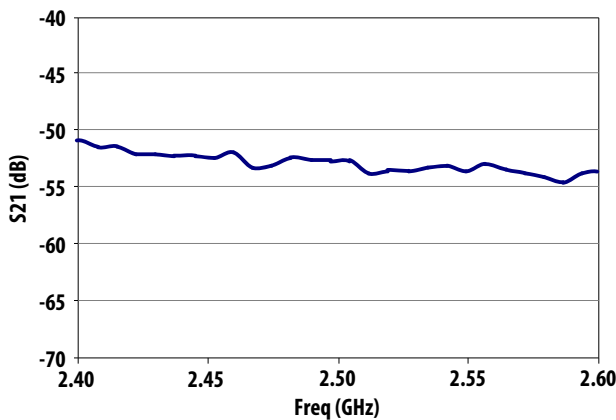


Figure 19e. Rejection plot for (2400 – 2600) MHz

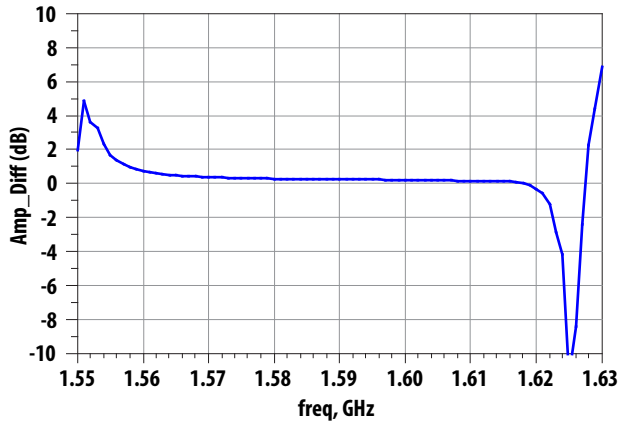


Figure 20. Amplitude difference between RFout+ and RFout- ports

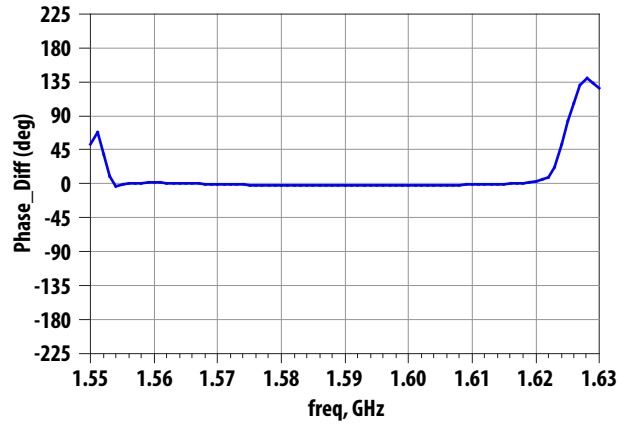


Figure 21. Phase difference between RFout+ and RFout- ports

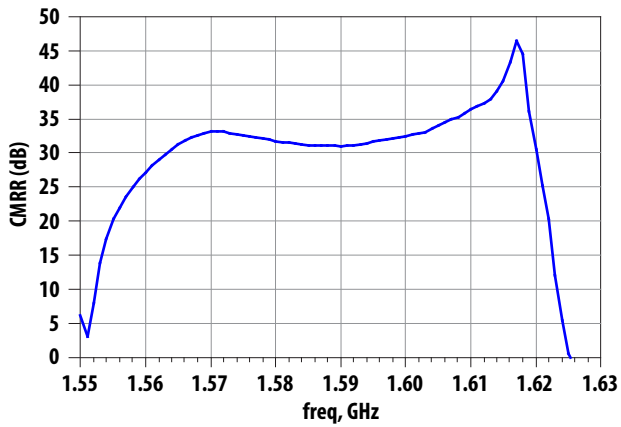


Figure 22. Common-mode rejection ratio

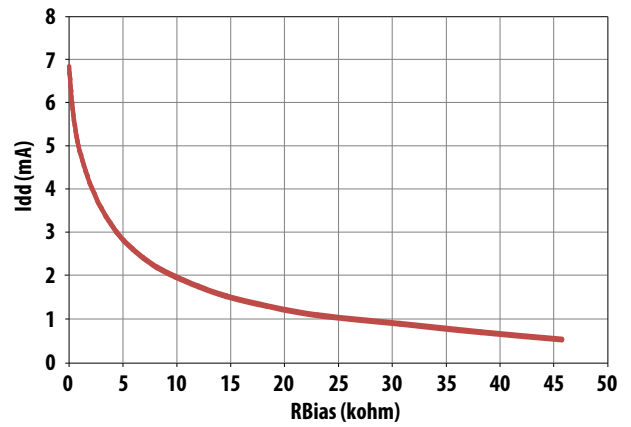


Figure 23. Idd vs. R2

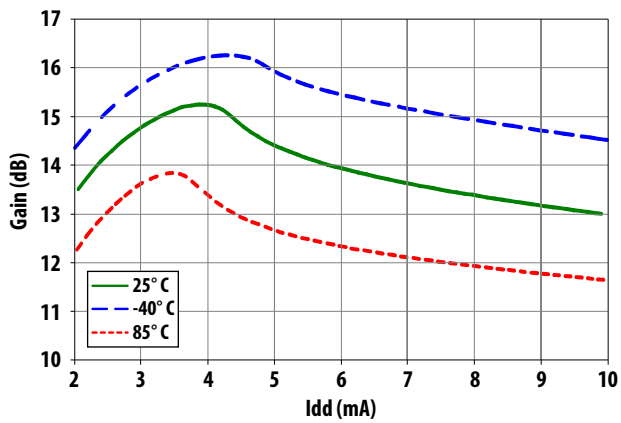


Figure 24. Gain vs. Idd at Vdd = 1.8 V at 1.575 GHz

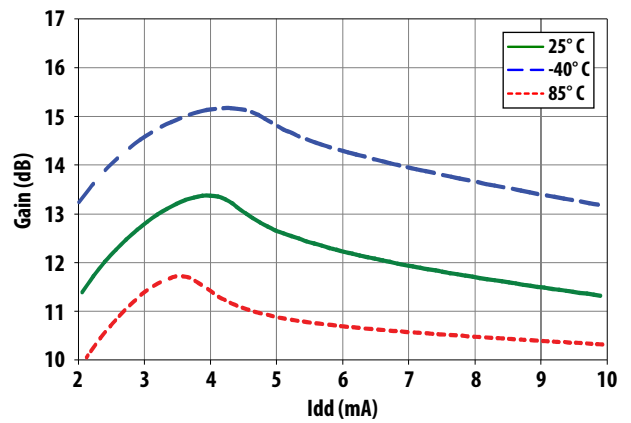


Figure 25. Gain vs. Idd at Vdd = 1.8 V at 1.6017 GHz

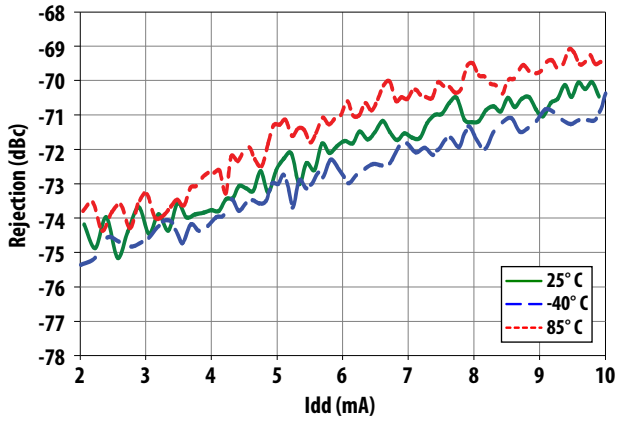


Figure 26. Rejection at 915 MHz relative to 1.575 GHz vs. Idd

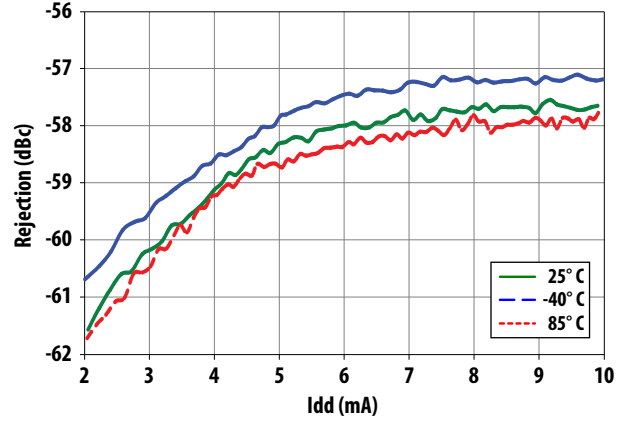


Figure 27. Rejection at 1710 MHz relative to 1.575 GHz vs. Idd

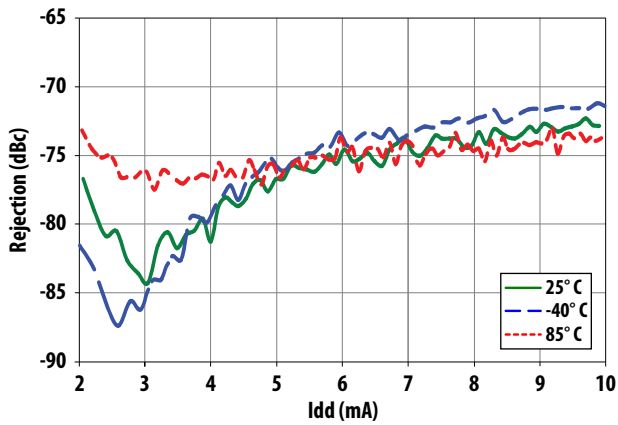


Figure 28. Rejection at 1850 MHz relative to 1.575 GHz vs. Idd

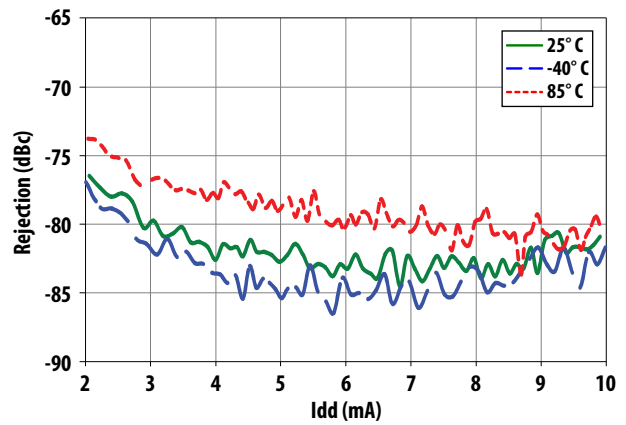


Figure 29. Rejection at 2400 MHz relative to 1.575 GHz vs. Idd

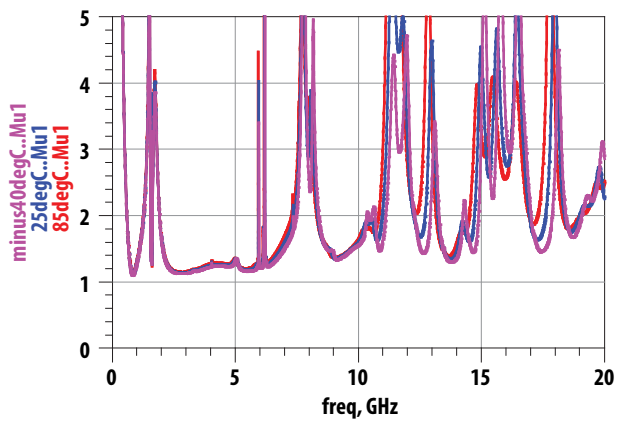


Figure 30. Edwards-Sinsky Output Stability Factor ( $\mu$ )

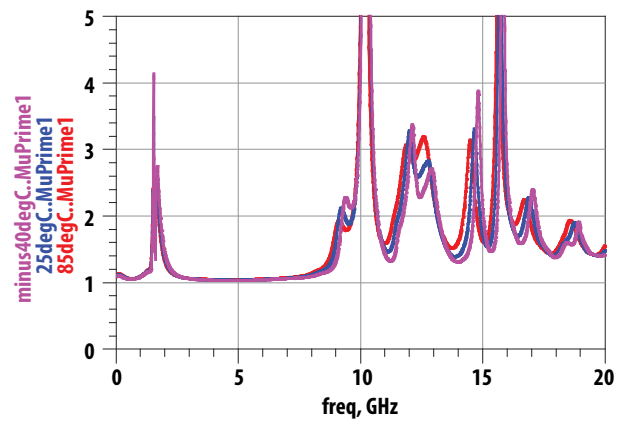


Figure 31. Edwards-Sinsky Input Stability Factor ( $\mu'$ )

### ALM-GN002 Scattering Parameter and Measurement Reference Planes

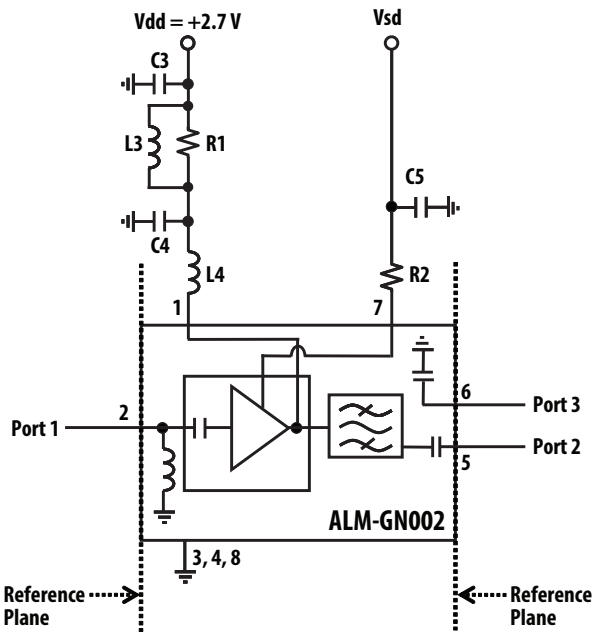


Figure 32. Scattering parameter measurement reference planes. Component values are as shown in Fig 1.



**ALM-GN002 Typical Scattering Parameters at 25° C, Vdd = 2.7 V, Idd = 6.2 mA**

The S- and Noise Parameters are measured using a coplanar waveguide PCB with 10 mils Rogers® RO4350. Figure 32 shows the input and output reference planes. The circuit values are as indicated in Figure 1.

| Freq<br>(GHz) | S11          | S11           | S12          | S12           | S13          | S13           | S21          | S21           | S22          | S22           | S23          | S23           | S31          | S31           | S32          | S32           | S33          | S33           |
|---------------|--------------|---------------|--------------|---------------|--------------|---------------|--------------|---------------|--------------|---------------|--------------|---------------|--------------|---------------|--------------|---------------|--------------|---------------|
|               | Mag.<br>(dB) | Ang.<br>(deg) | Mag.<br>(dB) | Ang.<br>(deg) | Mag.<br>(dB) | Ang.<br>(deg) | Mag.<br>(dB) | Ang.<br>(deg) | Mag.<br>(dB) | Ang.<br>(deg) | Mag.<br>(dB) | Ang.<br>(deg) | Mag.<br>(dB) | Ang.<br>(deg) | Mag.<br>(dB) | Ang.<br>(deg) | Mag.<br>(dB) | Ang.<br>(deg) |
| 0.05          | -0.68        | 155.80        | -88.61       | -158.04       | -86.05       | -102.63       | -87.99       | 66.92         | -0.01        | -3.16         | -68.15       | 82.72         | -86.39       | -82.86        | -66.85       | 85.97         | 0.00         | -5.07         |
| 0.1           | -0.86        | 134.67        | -92.61       | 171.13        | -85.46       | 147.59        | -84.20       | 45.83         | -0.02        | -6.35         | -61.40       | 85.20         | -88.73       | -143.69       | -61.57       | 82.71         | -0.01        | -10.31        |
| 0.2           | -0.86        | 101.74        | -81.88       | 104.37        | -84.25       | 40.25         | -68.80       | -17.09        | -0.03        | -12.42        | -56.09       | 73.40         | -78.71       | -136.22       | -56.23       | 72.91         | -0.02        | -20.16        |
| 0.3           | -0.63        | 76.76         | -76.62       | 91.94         | -75.49       | 108.25        | -64.46       | -53.51        | -0.09        | -19.26        | -53.90       | 64.15         | -75.88       | 152.83        | -53.87       | 64.37         | -0.11        | -30.80        |
| 0.4           | -0.56        | 57.99         | -74.41       | 97.36         | -73.58       | 81.12         | -64.58       | -66.78        | -0.11        | -25.25        | -52.90       | 57.96         | -73.55       | 109.21        | -52.93       | 54.77         | -0.14        | -39.97        |
| 0.5           | -0.53        | 42.69         | -74.45       | 104.60        | -73.34       | 102.38        | -63.43       | -38.53        | -0.14        | -31.56        | -53.61       | 48.86         | -69.12       | 72.29         | -53.94       | 47.81         | -0.17        | -49.29        |
| 0.6           | -0.52        | 31.15         | -71.97       | 102.53        | -71.99       | 81.42         | -58.52       | -30.59        | -0.16        | -37.48        | -56.65       | 45.26         | -68.05       | 50.98         | -56.74       | 40.35         | -0.19        | -57.68        |
| 0.7           | -0.52        | 21.03         | -73.16       | 83.31         | -70.48       | 89.04         | -53.78       | -31.00        | -0.19        | -43.70        | -67.44       | 47.23         | -63.49       | 39.08         | -65.93       | 46.82         | -0.20        | -66.03        |
| 0.8           | -0.55        | 12.96         | -69.99       | 73.83         | -70.87       | 69.06         | -50.45       | -42.49        | -0.21        | -49.54        | -61.05       | -156.01       | -64.64       | 21.40         | -60.40       | -155.26       | -0.22        | -73.53        |
| 0.824         | -0.56        | 11.21         | -74.12       | 85.92         | -69.88       | 66.03         | -49.60       | -42.92        | -0.21        | -50.91        | -57.32       | -159.96       | -64.94       | 18.04         | -57.73       | -159.76       | -0.22        | -75.20        |
| 0.9           | -0.58        | 5.91          | -74.18       | 117.24        | -69.87       | 63.63         | -47.85       | -50.55        | -0.25        | -55.37        | -51.23       | -162.97       | -64.87       | 8.10          | -51.24       | -163.17       | -0.23        | -80.51        |
| 0.915         | -0.59        | 4.75          | -73.52       | 74.00         | -71.87       | 69.38         | -47.45       | -51.19        | -0.23        | -56.46        | -49.79       | -162.34       | -64.70       | 6.45          | -49.76       | -163.17       | -0.23        | -81.74        |
| 1.0           | -0.58        | -0.68         | -80.13       | 68.34         | -71.91       | 43.34         | -45.61       | -59.95        | -0.27        | -59.49        | -45.98       | -165.38       | -64.05       | 6.06          | -45.85       | -166.45       | -0.27        | -84.82        |
| 1.1           | -0.61        | -6.07         | -76.05       | 61.29         | -79.76       | 48.26         | -43.36       | -69.39        | -0.30        | -65.76        | -42.30       | -171.26       | -64.80       | 4.23          | -42.26       | -171.40       | -0.27        | -91.26        |
| 1.2           | -0.62        | -11.40        | -92.81       | 41.65         | -77.80       | 94.27         | -41.17       | -80.42        | -0.33        | -72.88        | -39.14       | -178.46       | -62.71       | 18.47         | -39.14       | -178.41       | -0.28        | -97.70        |
| 1.3           | -0.59        | -16.23        | -82.36       | -170.04       | -78.79       | 158.91        | -39.04       | -93.39        | -0.37        | -80.54        | -36.57       | 175.37        | -59.92       | 33.30         | -36.63       | 175.37        | -0.28        | -103.41       |
| 1.4           | -0.47        | -21.86        | -71.20       | -165.25       | -74.54       | 170.84        | -36.63       | -114.53       | -0.45        | -91.37        | -34.10       | 166.84        | -56.25       | 32.78         | -34.06       | 166.86        | -0.29        | -109.14       |
| 1.5           | -0.48        | -30.66        | -66.96       | -172.36       | -70.59       | -174.86       | -34.12       | -170.70       | -0.79        | -112.07       | -31.21       | 153.76        | -61.83       | 153.74        | -31.24       | 153.67        | -0.29        | -114.27       |
| 1.575         | -1.00        | -32.06        | -36.42       | -135.60       | -64.51       | -170.66       | 12.89        | -119.70       | -18.41       | -52.67        | -37.65       | 95.38         | -24.45       | -148.75       | -38.22       | 93.40         | -0.29        | -117.92       |
| 1.6           | -1.13        | -33.36        | -36.47       | 19.35         | -69.35       | -125.99       | 12.49        | 29.91         | -22.39       | 1.71          | -34.05       | 126.69        | -20.45       | -36.57        | -33.73       | 125.09        | -0.29        | -119.15       |
| 1.7           | -2.11        | -39.23        | -67.81       | -154.77       | -67.10       | 175.62        | -44.00       | 158.29        | -0.33        | -69.22        | -34.45       | 170.95        | -39.10       | -67.35        | -34.42       | 170.79        | -0.29        | -123.92       |
| 1.71          | -2.13        | -39.07        | -66.65       | -152.69       | -66.51       | 173.46        | -43.81       | 154.26        | -0.34        | -70.74        | -34.17       | 170.15        | -39.37       | -69.00        | -34.14       | 170.19        | -0.29        | -124.18       |
| 1.785         | -2.27        | -38.49        | -65.25       | -175.48       | -64.41       | 179.51        | -46.91       | 135.71        | -0.39        | -83.43        | -31.81       | 162.33        | -42.12       | -85.47        | -31.83       | 162.19        | -0.29        | -127.44       |
| 1.8           | -2.27        | -38.64        | -63.50       | -168.83       | -63.45       | -171.96       | -48.53       | 133.44        | -0.40        | -85.42        | -31.47       | 160.97        | -42.36       | -88.37        | -31.44       | 160.89        | -0.29        | -128.14       |
| 1.850         | -2.28        | -39.37        | -65.41       | -168.58       | -62.18       | 173.69        | -52.80       | 141.01        | -0.42        | -90.50        | -30.54       | 157.58        | -43.50       | -95.20        | -30.57       | 157.47        | -0.29        | -130.27       |
| 1.9           | -2.29        | -40.22        | -62.61       | -165.97       | -61.54       | 179.25        | -57.39       | 167.77        | -0.44        | -94.29        | -29.90       | 154.71        | -44.40       | -98.76        | -29.90       | 154.87        | -0.30        | -132.15       |
| 1.910         | -2.30        | -40.47        | -62.36       | -172.68       | -61.73       | 175.77        | -57.05       | 171.63        | -0.45        | -95.15        | -29.73       | 154.13        | -44.62       | -99.58        | -29.71       | 154.21        | -0.29        | -132.54       |
| 2.0           | -2.32        | -42.61        | -60.41       | -164.87       | -59.39       | 172.04        | -53.88       | -129.83       | -0.46        | -101.44       | -28.61       | 149.36        | -46.00       | -106.30       | -28.58       | 149.39        | -0.29        | -136.06       |
| 2.1           | -2.37        | -45.06        | -58.82       | -171.16       | -58.40       | 170.41        | -49.25       | -118.49       | -0.47        | -107.34       | -27.59       | 144.74        | -46.01       | -110.67       | -27.58       | 144.73        | -0.28        | -139.61       |
| 2.2           | -2.44        | -47.73        | -57.39       | -178.02       | -57.18       | 168.34        | -46.78       | -122.18       | -0.49        | -113.13       | -26.64       | 140.30        | -46.94       | -116.90       | -26.64       | 140.23        | -0.28        | -143.16       |
| 2.3           | -2.51        | -50.21        | -55.52       | 177.15        | -56.46       | 164.89        | -45.29       | -124.39       | -0.50        | -118.23       | -25.84       | 136.21        | -47.55       | -120.54       | -25.83       | 136.17        | -0.28        | -146.34       |
| 2.4           | -2.60        | -52.77        | -54.37       | 175.90        | -55.27       | 163.97        | -44.15       | -128.37       | -0.51        | -123.39       | -25.06       | 132.06        | -48.35       | -121.49       | -25.07       | 132.09        | -0.27        | -149.52       |
| 2.5           | -2.68        | -55.19        | -53.74       | 173.90        | -54.00       | 162.38        | -43.69       | -130.85       | -0.52        | -128.03       | -24.40       | 128.45        | -48.81       | -120.39       | -24.39       | 128.36        | -0.27        | -152.39       |
| 2.570         | -2.73        | -56.87        | -53.00       | 173.26        | -53.18       | 162.85        | -43.27       | -132.08       | -0.53        | -131.25       | -23.97       | 125.78        | -49.27       | -117.96       | -23.94       | 125.73        | -0.26        | -154.37       |
| 3.0           | -3.07        | -66.91        | -48.97       | 159.56        | -49.68       | 152.10        | -42.98       | -110.79       | -0.58        | -149.50       | -21.56       | 110.88        | -46.81       | -70.88        | -21.57       | 110.88        | -0.26        | -165.32       |
| 3.5           | -3.32        | -78.45        | -48.50       | 134.42        | -48.26       | 134.43        | -30.44       | -179.23       | -0.58        | -167.27       | -20.66       | 96.49         | -35.85       | -171.83       | -20.66       | 96.56         | -0.24        | -175.41       |
| 4.0           | -3.42        | -89.39        | -45.12       | 132.08        | -45.07       | 130.87        | -38.04       | 177.37        | -0.59        | 175.59        | -18.68       | 85.04         | -44.67       | -148.67       | -18.68       | 84.98         | -0.22        | 175.73        |
| 4.5           | -3.30        | -99.37        | -41.67       | 120.37        | -41.95       | 122.01        | -33.74       | -108.47       | -0.66        | 160.36        | -17.25       | 73.25         | -35.77       | -97.42        | -17.26       | 73.15         | -0.23        | 168.40        |
| 5.0           | -2.51        | -106.78       | -32.07       | 61.64         | -35.00       | 78.40         | -12.61       | -142.51       | -1.54        | 145.42        | -15.41       | 46.87         | -17.21       | -135.65       | -15.44       | 46.55         | -0.48        | 161.99        |
| 5.5           | -2.87        | -116.94       | -47.20       | -87.40        | -47.16       | 107.01        | -19.30       | 98.54         | -0.73        | 136.18        | -17.20       | 55.22         | -24.86       | 111.96        | -17.20       | 55.33         | -0.23        | 157.39        |
| 6.0           | -2.68        | -122.47       | -50.36       | -125.63       | -45.83       | 99.14         | -23.07       | 82.60         | -0.89        | 125.91        | -15.81       | 47.17         | -26.98       | 100.67        | -15.80       | 47.19         | -0.27        | 150.99        |
| 6.5           | -2.49        | -127.93       | -45.54       | -146.41       | -39.88       | 103.61        | -25.91       | 68.64         | -1.06        | 110.73        | -14.76       | 36.30         | -29.83       | 97.07         | -14.72       | 36.58         | -0.32        | 143.89        |
| 7.0           | -2.26        | -135.28       | -37.39       | -147.30       | -37.38       | 93.20         | -29.73       | 58.80         | -1.91        | 86.87         | -13.95       | 19.41         | -30.20       | 95.46         | -13.97       | 19.65         | -0.36        | 136.67        |
| 7.5           | -1.90        | -145.22       | -30.31       | -160.89       | -35.17       | 85.00         | -22.30       | 105.47        | -10.17       | 48.00         | -14.77       | -14.81        | -27.15       | 98.56         | -14.84       | -14.44        | -0.42        | 129.74        |
| 8.0           | -1.65        | -161.71       | -20.07       | 170.54        | -32.62       | 76.64         | -15.61       | -10.40        | -4.28        | 119.61        | -21.71       | 5.98          | -26.67       | 60.15         | -21.21       | 7.84          | -0.25        | 122.51        |
| 8.5           | -3.02        | -172.58       | -17.91       | 77.04         | -30.30       | 46.36         | -22.22       | 170.55        | -2.26        | 110.91        | -19.39       | 16.15         | -26.83       | 63.09         | -19.31       | 13.77         | -0.23        | 115.43        |

**ALM-GN002 Typical Scattering Parameters at 25° C, Vdd = 1.8 V, Idd = 4 mA**

| Freq<br>(GHz) | S11          |               | S12          |               | S13          |               | S21          |               | S22          |               | S23          |               | S31          |               | S32          |               | S33          |               |
|---------------|--------------|---------------|--------------|---------------|--------------|---------------|--------------|---------------|--------------|---------------|--------------|---------------|--------------|---------------|--------------|---------------|--------------|---------------|
|               | Mag.<br>(dB) | Ang.<br>(deg) | Mag.<br>(dB) | Ang.<br>(deg) | Mag.<br>(dB) | Ang.<br>(deg) | Mag.<br>(dB) | Ang.<br>(deg) | Mag.<br>(dB) | Ang.<br>(deg) | Mag.<br>(dB) | Ang.<br>(deg) | Mag.<br>(dB) | Ang.<br>(deg) | Mag.<br>(dB) | Ang.<br>(deg) | Mag.<br>(dB) | Ang.<br>(deg) |
| 0.05          | -0.68        | 155.78        | -84.63       | 31.19         | -92.06       | -89.65        | -93.35       | -170.48       | -0.01        | -3.15         | -66.38       | 85.39         | -89.69       | 98.85         | -67.95       | 79.94         | 0.00         | -5.07         |
| 0.1           | -0.86        | 134.68        | -81.82       | 137.91        | -84.26       | 91.20         | -85.78       | 45.85         | -0.02        | -6.36         | -61.82       | 87.69         | -98.33       | 132.92        | -61.29       | 80.38         | -0.01        | -10.33        |
| 0.2           | -0.87        | 101.79        | -85.15       | 130.87        | -87.03       | 102.85        | -71.43       | -13.76        | -0.03        | -12.42        | -56.31       | 72.24         | -86.05       | 106.02        | -56.21       | 72.32         | -0.02        | -20.16        |
| 0.3           | -0.64        | 76.84         | -81.49       | 148.78        | -77.55       | 121.26        | -66.94       | -53.84        | -0.09        | -19.25        | -53.90       | 63.42         | -81.42       | 114.83        | -53.79       | 62.72         | -0.11        | -30.79        |
| 0.4           | -0.56        | 58.09         | -76.63       | 121.37        | -74.87       | 137.11        | -69.62       | -55.29        | -0.11        | -25.25        | -53.17       | 55.94         | -72.92       | 104.02        | -53.13       | 56.15         | -0.14        | -39.97        |
| 0.5           | -0.51        | 42.76         | -74.30       | 85.33         | -69.99       | 85.60         | -67.65       | -36.01        | -0.14        | -31.55        | -53.91       | 50.21         | -70.28       | 81.37         | -53.69       | 49.27         | -0.17        | -49.28        |
| 0.6           | -0.49        | 31.18         | -71.28       | 83.41         | -70.33       | 77.04         | -61.70       | -18.74        | -0.16        | -37.46        | -56.31       | 40.20         | -67.74       | 54.33         | -56.80       | 41.03         | -0.19        | -57.66        |
| 0.7           | -0.48        | 21.01         | -70.40       | 75.56         | -70.76       | 81.10         | -56.98       | -26.76        | -0.19        | -43.69        | -67.32       | 37.02         | -66.02       | 60.04         | -67.91       | 48.38         | -0.20        | -66.02        |
| 0.8           | -0.49        | 12.84         | -69.71       | 75.51         | -73.09       | 85.77         | -53.50       | -33.27        | -0.21        | -49.53        | -59.76       | -160.71       | -65.40       | 31.78         | -60.45       | -158.90       | -0.22        | -73.50        |
| 0.824         | -0.49        | 11.06         | -69.57       | 77.73         | -74.18       | 56.99         | -53.01       | -35.59        | -0.21        | -50.90        | -57.74       | -161.32       | -64.36       | 33.16         | -57.67       | -159.77       | -0.22        | -75.19        |
| 0.9           | -0.51        | 5.70          | -72.71       | 61.22         | -73.53       | 69.02         | -50.65       | -43.15        | -0.25        | -55.35        | -51.04       | -163.20       | -64.15       | 16.86         | -51.17       | -162.44       | -0.23        | -80.50        |
| 0.915         | -0.51        | 4.52          | -77.92       | 63.78         | -74.22       | 66.43         | -50.25       | -45.94        | -0.23        | -56.45        | -50.32       | -163.01       | -65.45       | 19.04         | -50.01       | -163.86       | -0.23        | -81.72        |
| 1.0           | -0.50        | -1.01         | -76.54       | 69.98         | -73.59       | 69.01         | -48.24       | -51.95        | -0.27        | -59.49        | -45.94       | -166.78       | -64.30       | 22.48         | -45.99       | -165.68       | -0.27        | -84.80        |
| 1.1           | -0.52        | -6.53         | -75.84       | 59.59         | -75.08       | 60.70         | -46.00       | -63.07        | -0.30        | -65.74        | -42.30       | -171.63       | -64.71       | 24.16         | -42.16       | -171.56       | -0.27        | -91.23        |
| 1.2           | -0.53        | -11.96        | -85.09       | 145.21        | -79.05       | 92.63         | -43.72       | -74.38        | -0.33        | -72.86        | -39.11       | -177.88       | -62.42       | 29.00         | -39.10       | -178.11       | -0.28        | -97.69        |
| 1.3           | -0.50        | -16.87        | -77.18       | -139.84       | -84.16       | 138.35        | -41.21       | -86.89        | -0.36        | -80.50        | -36.61       | 175.19        | -58.74       | 41.35         | -36.58       | 175.31        | -0.28        | -103.37       |
| 1.4           | -0.38        | -22.56        | -69.40       | -154.16       | -77.76       | -176.50       | -38.27       | -109.33       | -0.44        | -91.34        | -34.07       | 167.32        | -54.67       | 38.33         | -34.06       | 167.13        | -0.28        | -109.12       |
| 1.5           | -0.51        | -31.64        | -66.00       | -175.53       | -71.66       | 174.74        | -35.72       | -175.94       | -0.78        | -112.05       | -31.21       | 153.64        | -62.67       | 34.73         | -31.24       | 153.71        | -0.29        | -114.23       |
| 1.575         | -0.90        | -32.45        | -35.61       | -146.11       | -64.52       | 173.76        | 10.88        | -121.34       | -27.49       | -135.32       | -36.78       | 97.05         | -26.57       | -149.82       | -37.33       | 95.58         | -0.29        | -117.90       |
| 1.6           | -1.03        | -33.60        | -36.00       | 7.91          | -69.33       | -136.23       | 10.36        | 27.08         | -16.84       | 55.03         | -34.22       | 119.20        | -22.51       | -39.26        | -33.86       | 117.76        | -0.29        | -119.13       |
| 1.7           | -1.76        | -37.86        | -67.47       | -154.95       | -65.42       | -177.85       | -48.15       | 153.84        | -0.33        | -69.20        | -34.46       | 170.80        | -41.24       | -71.74        | -34.44       | 170.73        | -0.29        | -123.88       |
| 1.71          | -1.77        | -37.82        | -67.08       | -159.96       | -65.11       | 176.79        | -48.06       | 151.04        | -0.34        | -70.71        | -34.16       | 170.14        | -41.53       | -73.29        | -34.16       | 170.40        | -0.29        | -124.16       |
| 1.785         | -1.80        | -38.76        | -66.02       | -166.60       | -63.27       | 175.27        | -51.34       | 137.09        | -0.39        | -83.40        | -31.82       | 162.28        | -43.97       | -85.84        | -31.82       | 162.18        | -0.29        | -127.39       |
| 1.8           | -1.80        | -39.14        | -64.15       | -162.47       | -62.93       | -178.82       | -52.64       | 138.83        | -0.40        | -85.39        | -31.45       | 161.05        | -44.33       | -87.77        | -31.47       | 161.06        | -0.29        | -128.11       |
| 1.850         | -1.82        | -40.47        | -62.22       | -165.59       | -62.80       | 176.55        | -57.47       | 151.76        | -0.42        | -90.47        | -30.52       | 157.45        | -45.50       | -92.38        | -30.55       | 157.51        | -0.29        | -130.25       |
| 1.9           | -1.84        | -41.71        | -63.55       | -166.70       | -61.75       | 179.24        | -60.96       | -164.89       | -0.44        | -94.26        | -29.87       | 154.78        | -46.11       | -96.36        | -29.89       | 154.87        | -0.29        | -132.11       |
| 1.910         | -1.85        | -42.04        | -61.21       | -176.16       | -61.75       | 168.66        | -60.20       | -162.58       | -0.44        | -95.11        | -29.72       | 154.21        | -46.12       | -96.60        | -29.75       | 154.18        | -0.29        | -132.52       |
| 2.0           | -1.90        | -44.74        | -60.33       | -172.04       | -59.11       | 173.63        | -54.78       | -114.94       | -0.45        | -101.39       | -28.61       | 149.24        | -47.23       | -101.55       | -28.60       | 149.50        | -0.28        | -136.04       |
| 2.1           | -1.97        | -47.63        | -57.71       | -178.33       | -58.76       | 171.36        | -50.75       | -113.10       | -0.47        | -107.29       | -27.56       | 144.84        | -47.27       | -107.45       | -27.58       | 144.86        | -0.28        | -139.58       |
| 2.2           | -2.06        | -50.70        | -57.12       | -177.77       | -57.55       | 169.07        | -48.29       | -115.81       | -0.48        | -113.09       | -26.64       | 140.30        | -48.11       | -110.04       | -26.63       | 140.27        | -0.28        | -143.11       |
| 2.3           | -2.15        | -53.54        | -55.89       | 177.88        | -56.06       | 163.90        | -46.69       | -119.13       | -0.49        | -118.20       | -25.84       | 136.16        | -48.12       | -112.86       | -25.84       | 136.21        | -0.28        | -146.30       |
| 2.4           | -2.26        | -56.44        | -55.05       | 176.61        | -55.22       | 162.33        | -45.64       | -123.27       | -0.51        | -123.34       | -25.08       | 132.15        | -48.44       | -115.75       | -25.07       | 132.14        | -0.27        | -149.47       |
| 2.5           | -2.36        | -59.18        | -53.44       | 171.30        | -54.38       | 157.16        | -45.05       | -126.63       | -0.52        | -127.99       | -24.40       | 128.49        | -48.72       | -115.89       | -24.40       | 128.34        | -0.26        | -152.34       |
| 2.570         | -2.43        | -61.09        | -53.43       | 168.47        | -53.55       | 158.47        | -44.58       | -127.69       | -0.52        | -131.23       | -23.96       | 125.87        | -49.00       | -114.96       | -23.95       | 125.84        | -0.26        | -154.33       |
| 3.0           | -2.89        | -72.33        | -49.42       | 157.01        | -50.13       | 148.32        | -43.46       | -111.88       | -0.57        | -149.46       | -21.57       | 110.95        | -46.98       | -85.29        | -21.56       | 110.89        | -0.25        | -165.28       |
| 3.5           | -3.32        | -84.82        | -48.64       | 135.67        | -48.28       | 130.34        | -32.17       | -178.69       | -0.57        | -167.23       | -20.66       | 96.58         | -37.14       | -170.46       | -20.66       | 96.63         | -0.24        | -175.36       |
| 4.0           | -3.59        | -96.20        | -45.68       | 129.79        | -45.49       | 127.48        | -38.59       | -179.51       | -0.59        | 175.62        | -18.67       | 85.04         | -43.48       | -151.54       | -18.68       | 85.04         | -0.21        | 175.77        |
| 4.5           | -3.64        | -106.17       | -42.50       | 118.00        | -42.66       | 119.02        | -34.66       | -118.97       | -0.66        | 160.40        | -17.24       | 73.21         | -36.68       | -110.69       | -17.26       | 73.15         | -0.22        | 168.46        |
| 5.0           | -3.10        | -113.58       | -33.37       | 59.30         | -36.12       | 76.97         | -14.08       | -153.03       | -1.58        | 145.88        | -15.55       | 45.72         | -18.52       | -146.62       | -15.58       | 45.37         | -0.50        | 162.19        |
| 5.5           | -3.46        | -122.19       | -49.19       | -88.55        | -46.98       | 106.42        | -21.22       | 93.08         | -0.73        | 136.14        | -17.17       | 55.21         | -26.43       | 109.22        | -17.17       | 55.36         | -0.22        | 157.45        |
| 6.0           | -3.36        | -127.24       | -50.25       | -133.73       | -45.91       | 98.60         | -24.94       | 76.23         | -0.89        | 125.91        | -15.79       | 47.20         | -28.36       | 96.94         | -15.79       | 47.23         | -0.27        | 151.07        |
| 6.5           | -3.21        | -132.55       | -44.61       | -148.01       | -40.25       | 103.61        | -28.00       | 60.59         | -1.06        | 110.76        | -14.76       | 36.46         | -30.58       | 97.89         | -14.72       | 36.64         | -0.31        | 143.97        |
| 7.0           | -3.03        | -140.33       | -36.93       | -150.85       | -37.51       | 93.13         | -32.33       | 47.42         | -1.91        | 86.89         | -13.96       | 19.53         | -30.12       | 95.91         | -13.97       | 19.74         | -0.36        | 136.77        |
| 7.5           | -2.83        | -152.43       | -29.49       | -154.73       | -35.97       | 79.04         | -25.15       | 70.39         | -10.09       | 48.77         | -14.82       | -14.86        | -26.92       | 86.36         | -14.89       | -14.33        | -0.41        | 129.85        |
| 8.0           | -4.02        | -169.61       | -18.40       | 149.05        | -33.22       | 77.26         | -19.51       | -100.30       | -4.98        | 123.79        | -21.65       | 6.47          | -29.29       | 61.25         | -21.12       | 5.80          | -0.24        | 122.62        |
| 8.5           | -4.51        | -172.65       | -18.55       | 70.34         | -31.14       | 45.73         | -18.50       | 119.41        | -2.04        | 109.26        | -19.17       | 15.15         | -26.62       | 57.96         | -19.19       | 13.40         | -0.22        | 115.54        |

**ALM-GN002 Typical Noise Parameters at 25° C, Freq = 1.575 GHz, Vdd = 2.7 V, Idd = 6.2 mA**

| Freq (GHz) | Fmin (dB) | GAMMA OPT |      |        |
|------------|-----------|-----------|------|--------|
|            |           | Mag       | Ang  | Rn/50  |
| 1.565      | 0.82      | 0.669     | 27.0 | 0.4380 |
| 1.575      | 0.86      | 0.600     | 30.9 | 0.4514 |
| 1.585      | 0.84      | 0.662     | 28.2 | 0.4356 |
| 1.598      | 0.83      | 0.670     | 26.1 | 0.4456 |
| 1.602      | 0.81      | 0.689     | 25.8 | 0.4492 |
| 1.606      | 0.82      | 0.675     | 26.5 | 0.4434 |

**ALM-GN002 Typical Noise Parameters at 25° C, Freq = 1.575 GHz, Vdd = 1.8 V, Idd = 4 mA**

| Freq (GHz) | Fmin (dB) | GAMMA OPT |      |        |
|------------|-----------|-----------|------|--------|
|            |           | Mag       | Ang  | Rn/50  |
| 1.565      | 0.95      | 0.708     | 25.4 | 0.5946 |
| 1.575      | 0.95      | 0.709     | 25.7 | 0.6028 |
| 1.585      | 0.99      | 0.708     | 26.6 | 0.5820 |
| 1.598      | 0.98      | 0.707     | 26.6 | 0.6020 |
| 1.602      | 0.92      | 0.723     | 26.5 | 0.6082 |
| 1.606      | 0.95      | 0.718     | 26.4 | 0.6070 |

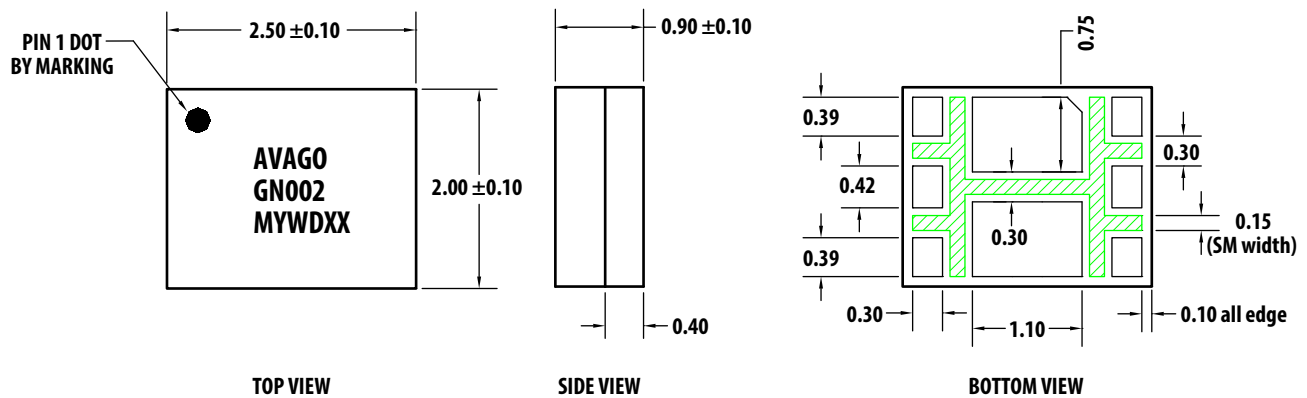
Note:

- The exceptional noise figure performance of the ALM-GN002 is due to its highly optimized design. In this regard, the Fmin of the ALM-GN002 shown above is locked down by the internal input pre-match. This allows the use of relatively inexpensive chip inductors for external matching.

**Part Number Ordering Information**

| Part Number    | Qty  | Container      |
|----------------|------|----------------|
| ALM-GN002-BLKG | 100  | Antistatic bag |
| ALM-GN002-TR1G | 3000 | 7" Reel        |

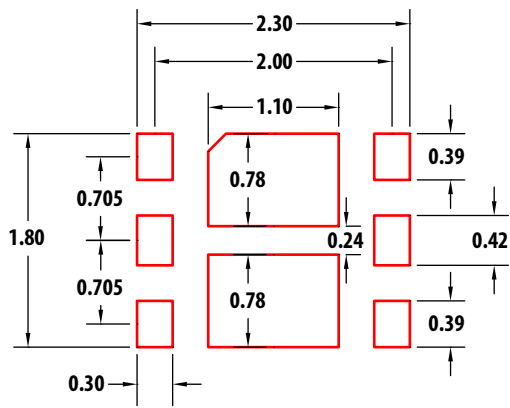
**Package Dimensions**



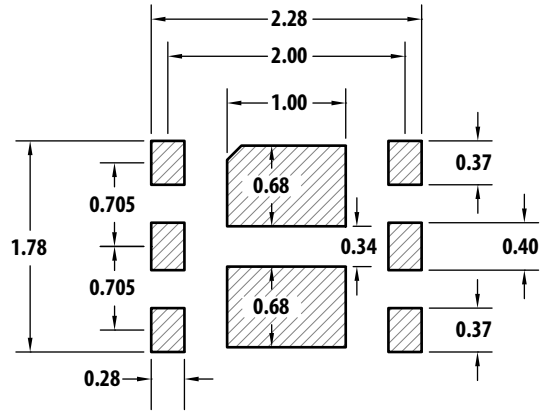
Notes:

- All dimensions are in millimeters.
- Dimensions are inclusive of plating.
- Dimensions are exclusive of mold flash and metal burr.
- GN002 = device code, M = manufacturing location (M = Malaysia), Y = Year of Manufacture, W = Work Week, D = Date Code, XX = Last 4 Digits of Lot Number.

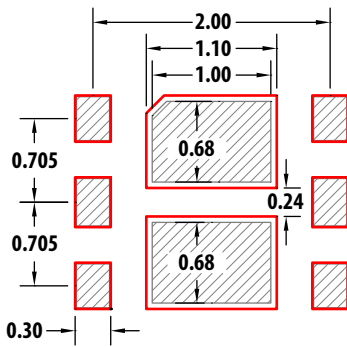
## PCB Land Patterns and Stencil Design



**LAND PATTERN**



**STENCIL OPENING**

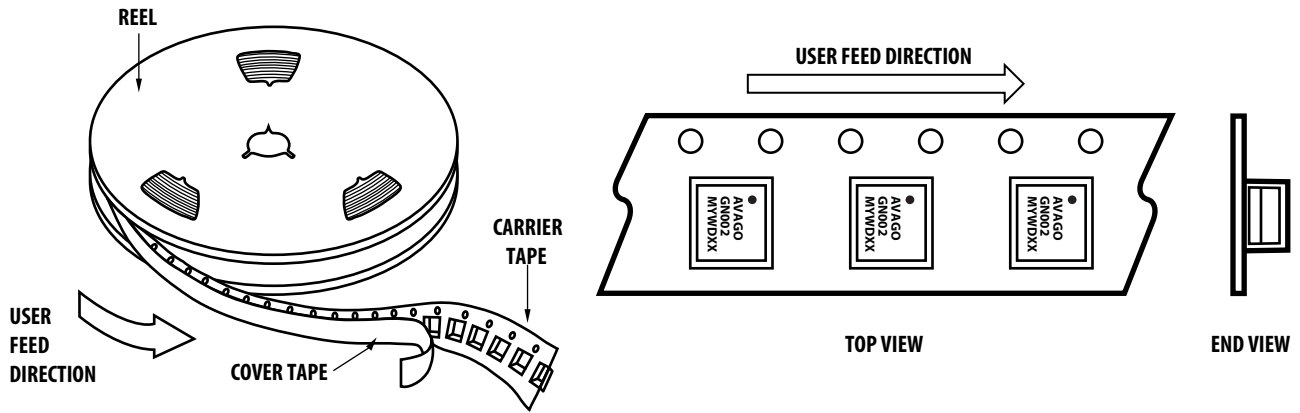


**COMBINATION OF LAND PATTERN & STENCIL OPENING**

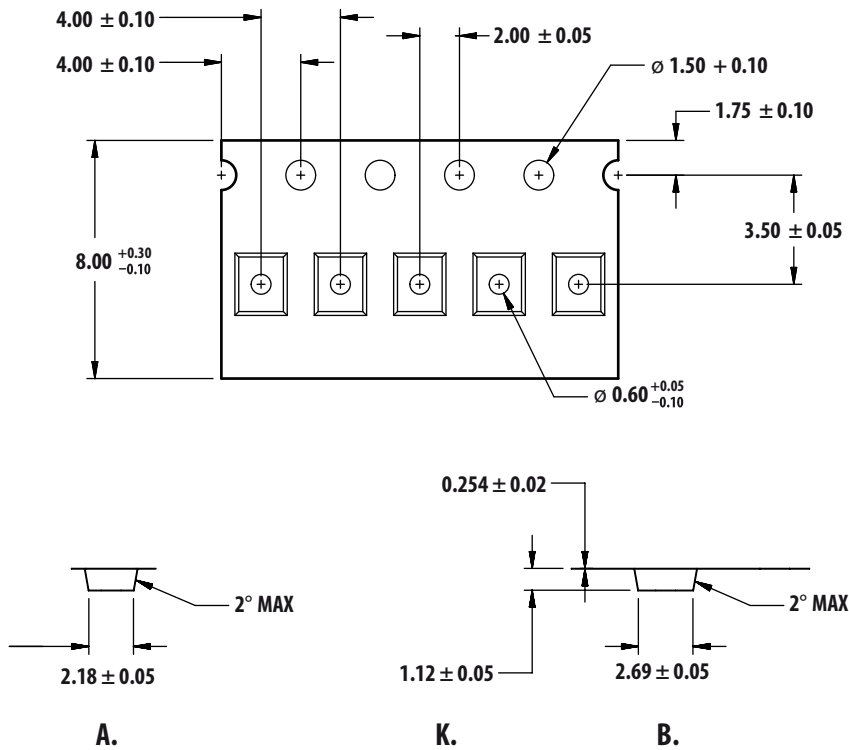
Notes:

1. All dimensions are in millimeters.
2. Recommended 4 mil stencil thickness.

## Device Orientation

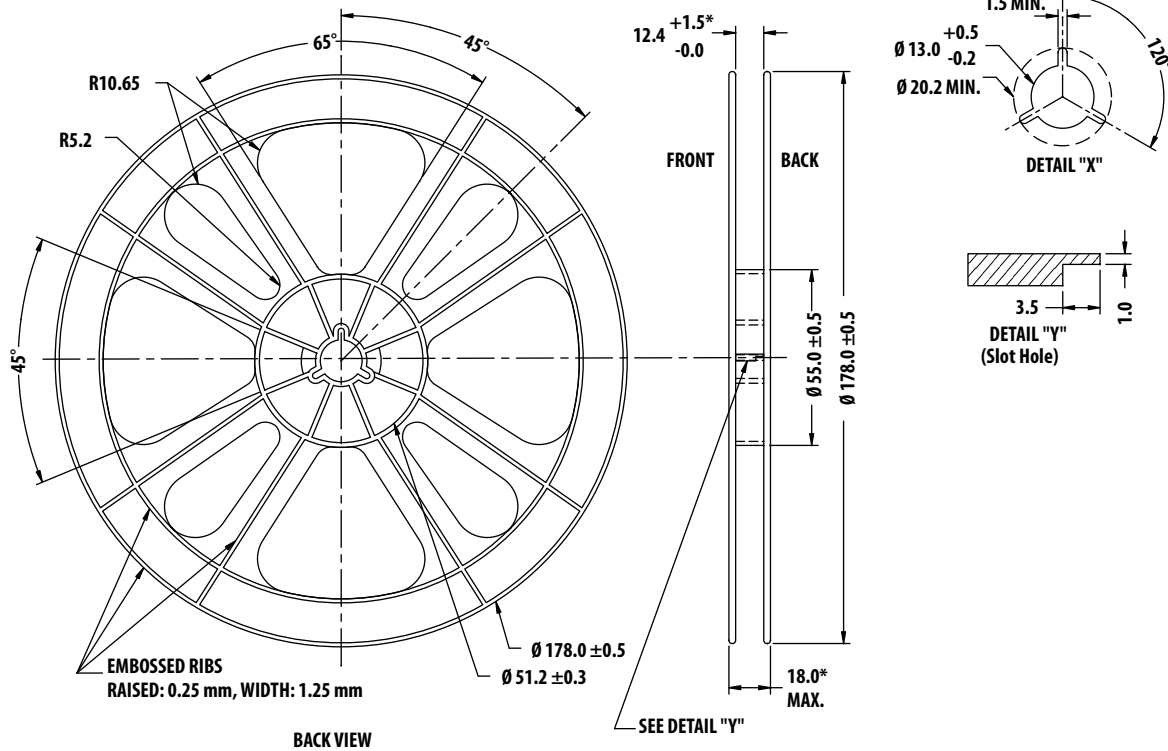
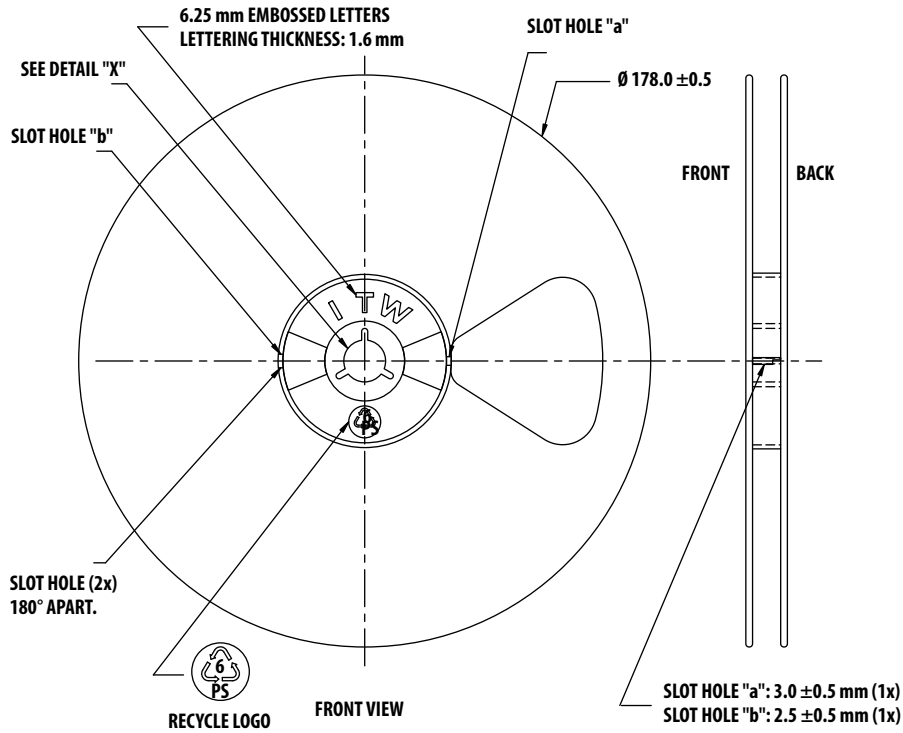


## Tape Dimensions



All dimensions are in millimeters

# Reel Dimensions (7" reel)



For product information and a complete list of distributors, please go to our web site: [www.avagotech.com](http://www.avagotech.com)

Avago, Avago Technologies, and the A logo are trademarks of Avago Technologies in the United States and other countries. Data subject to change. Copyright © 2005-2014 Avago Technologies. All rights reserved. AV02-4550EN - June 20, 2014

