



Chipsmall Limited consists of a professional team with an average of over 10 year of expertise in the distribution of electronic components. Based in Hongkong, we have already established firm and mutual-benefit business relationships with customers from,Europe,America and south Asia,supplying obsolete and hard-to-find components to meet their specific needs.

With the principle of “Quality Parts,Customers Priority,Honest Operation,and Considerate Service”,our business mainly focus on the distribution of electronic components. Line cards we deal with include Microchip,ALPS,ROHM,Xilinx,Pulse,ON,Everlight and Freescale. Main products comprise IC,Modules,Potentiometer,IC Socket,Relay,Connector.Our parts cover such applications as commercial,industrial, and automotives areas.

We are looking forward to setting up business relationship with you and hope to provide you with the best service and solution. Let us make a better world for our industry!



Contact us

Tel: +86-755-8981 8866 Fax: +86-755-8427 6832

Email & Skype: info@chipsmall.com Web: www.chipsmall.com

Address: A1208, Overseas Decoration Building, #122 Zhenhua RD., Futian, Shenzhen, China





Key Features

- GSM, 3G & ISM compatible
- Extremely low profile of 3mm
- Small footprint of 33.5 x 39.9mm
- 2.7dBi peak gain
- ISM: 868 and 915MHz

General Description

The Alpha 14 is supplied with 3M adhesive base that provide a secure fix onto many different surfaces, such as; metallic, plastic, glass and wooden making the Alpha 14, and other antennas in Alpha range, very versatile.

The Alpha 14 is tuned to the quad band GSM, 3G and the 868MHz and 915MHz ISM frequencies, allowing for worldwide use. This antenna is one of the most covert antennas available in the Siretta range due to its 3mm height and incredibly small footprint size of 33.5 x 39.9mm, which means passers-by will not spot this antenna with ease.

Supplied with a 2.5 meter RG174 cable and an SMA male connector as standard. Siretta welcomes custom cable lengths and connectors with volume orders. Please send your customised enquiries to sales@siretta.co.uk.

Additional Considerations

- Low profile design makes it ideal for covert applications
- Intended for indoor use
- Quad band GSM & 3G compatible so is capable of worldwide use
- RoHS compliant

Rev 1.5

Key Specifications - Electrical

Impedance:	50 ohm
V.S.W.R:	<2.0
Frequency range:	824 ~ 960, 1710 ~ 2170MHz
Polarization:	Linear

Gain

ISM

868MHz:	2.0dBi
915MHz:	2.4dBi

GSM

850MHz:	2.22dBi
900MHz:	2.79dBi
1800MHz:	2.69dBi
1900MHz:	1.34dBi

3G

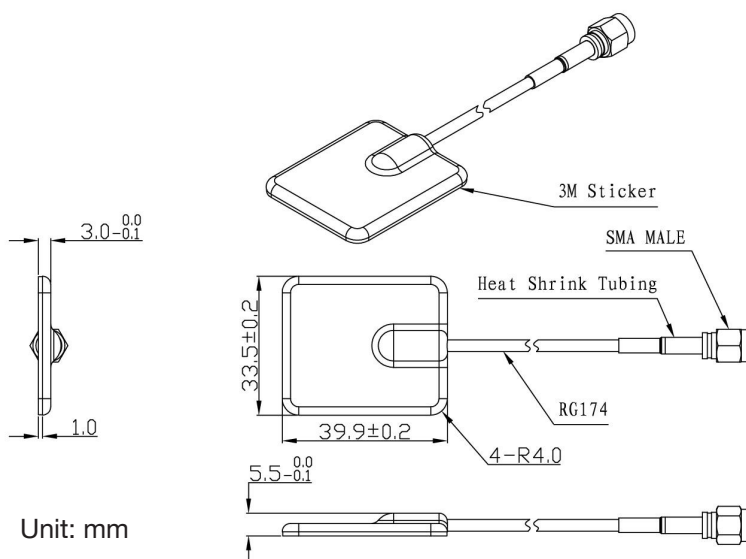
2100MHz:	0.51dBi
----------	---------

Key Specifications - Environmental

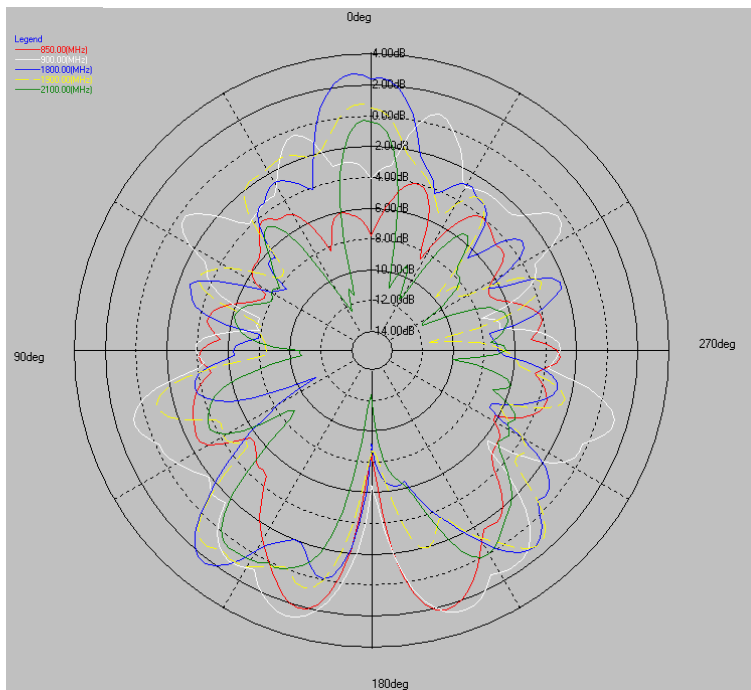
Operating temperature:	-40 to +85°C
Vibration:	10 to 55Hz with 1.5mm amplitude 2hours
Relative humidity:	Up to 95%
Environmentally friendly:	RoHS Compliant

Key Specifications - Mechanical

Dimensions:	33.5 x 39.9 x 0.4mm (see drawing below)
Cable:	RG174
Connector:	SMA or others
Mounting method:	Adhesive
Radome material:	ABS



Gain vs. Frequency Graph



UL Tested (Basingstoke, UK)
Part: ALPHA14

Ordering Details

Part Number	Description
ALPHA14/0.5M/SMAM/S/S/26	Quad Band GSM and 3G Antenna, 0.5m Cable, SMA Male Connector
ALPHA14/2.5M/SMAM/S/S/26	Quad Band GSM and 3G Antenna, 2.5m Cable, SMA Male Connector