



Chipsmall Limited consists of a professional team with an average of over 10 year of expertise in the distribution of electronic components. Based in Hongkong, we have already established firm and mutual-benefit business relationships with customers from,Europe,America and south Asia,supplying obsolete and hard-to-find components to meet their specific needs.

With the principle of “Quality Parts,Customers Priority,Honest Operation,and Considerate Service”,our business mainly focus on the distribution of electronic components. Line cards we deal with include Microchip,ALPS,ROHM,Xilinx,Pulse,ON,Everlight and Freescale. Main products comprise IC,Modules,Potentiometer,IC Socket,Relay,Connector.Our parts cover such applications as commercial,industrial, and automotives areas.

We are looking forward to setting up business relationship with you and hope to provide you with the best service and solution. Let us make a better world for our industry!



## Contact us

Tel: +86-755-8981 8866 Fax: +86-755-8427 6832

Email & Skype: info@chipsmall.com Web: www.chipsmall.com

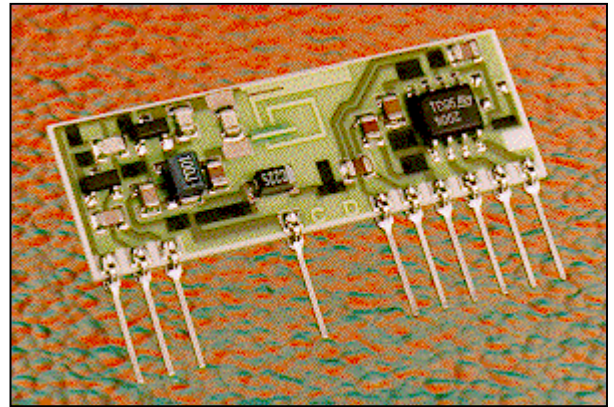
Address: A1208, Overseas Decoration Building, #122 Zhenhua RD., Futian, Shenzhen, China



## AM Super Regenerative Receiver

### Features

- Compact Hybrid Modules.
- Standard Frequencies; 315, 433, 868MHz
- Very High Frequency Stability (With No Adjustable Components).
- Receiving Range Up To 50 Metres.
- CMOS/TTL Compatible Output.
- Low Current Consumption;
  - ⇒ HRR3 Typ 2.5mA.
  - ⇒ HRR18 Typ 70uA.
- Single Supply Voltage 3V or 5V.
- Compatible With R.F. Solutions AM Transmitters.
- Patented Laser Trimmed Inductor.
- Compliant To ETSI300-220.
- Requires No Radio Licence To Operate.



### Description

The R.F. Solutions range of AM 'Super Regen' Receiver modules are compact hybrid RF receivers, which can be used to capture undecoded data from any AM Transmitter, such as R.F. Solutions AM-RT4 / 5 range of transmitters. (See AM Transmitter datasheet DS013).

These modules show a very high frequency stability over a wide operating temperature even when subjected to mechanical vibrations or manual handling. A unique laser trimming process which has been patented gives a very accurate on board inductor, removing the need for any adjustable components.

All receivers are compatible, producing a CMOS/TTL output, and require connections to power and antenna only. The HRR6 is a version with Very Low Current consumption which has a typical quiescent current drain of only 0.5mA. In addition the HRR8 operates from a 3Vdc supply.

RF Solutions also offer a range of Super Heterodyne Receivers, for data on these products (please see Datasheet DS017).

## Block Diagram

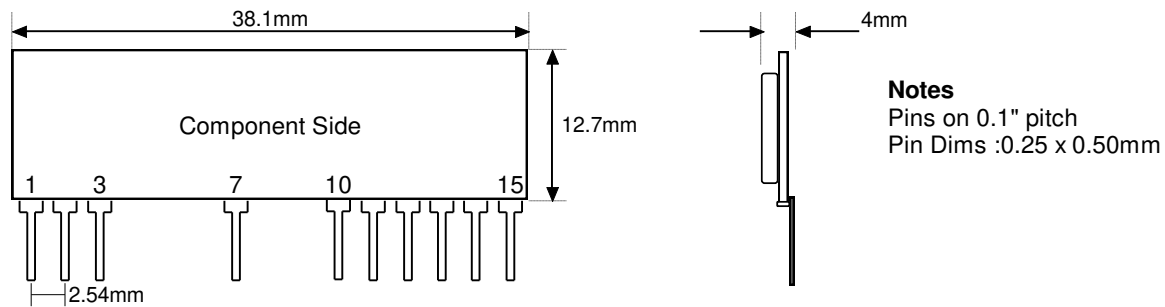
### Products From 250-450MHz

The following modules are available from stock as 315, 418, 433MHz, although any frequency between 250-450MHz is available.

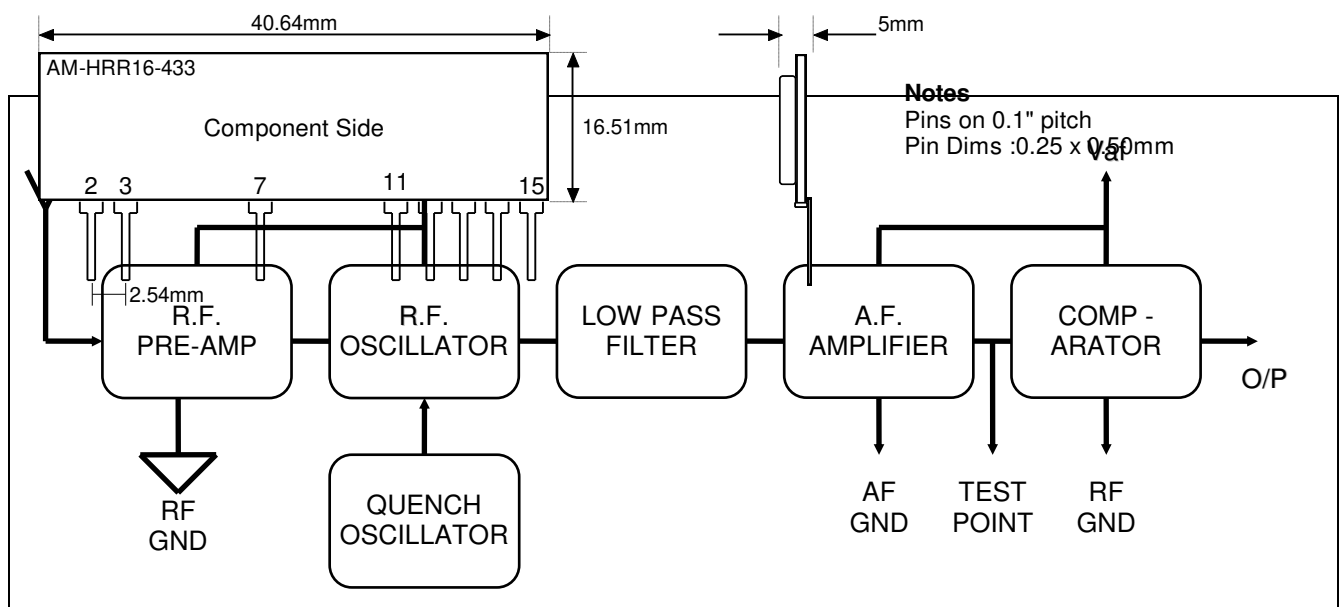
Part Number	315	433	Description
AM-HRR3-XXX	✓	✓	Standard Receiver
AM-HRR6-XXX	✓	✓	Low Power version (0.5mA)
AM-HRR8-XXX	✓	✓	Low Voltage (3V), Low Power (0.5mA)
AM-HRR10-XXX	✓	✓	Rx with passive front end Filter
AM-HRR11-XXX		✓	Low Power version (0.3mA)
AM-HRR16-XXX	✓	✓	SIL AM Receiver Module with SAW filter
AM-HRR16-XXX-S	✓	✓	SIL AM Receiver Module with Metal Shield & SAW filter
AM-HRR18-XXX		✓	Low Voltage (3V), and Very Low Power (70uA)

## Mechanical Details

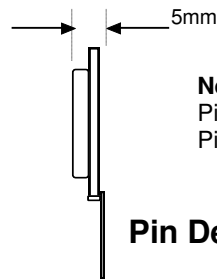
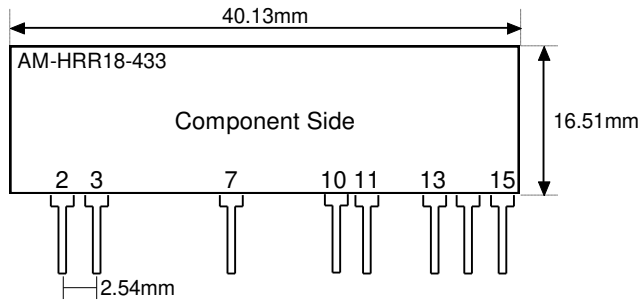
Dimensions for AM-HRR3, AM-HRR6, AM-HRR8 (No Pin 10), AM-HRR10, AM-HRR11:



Dimensions for AM-HRR16-XXX & AM-HRR16-XXX-S:



## Dimensions for AM-HRR18-XXX:



### Notes

Pins on 0.1" pitch  
Pin Dims :0.25 x 0.50mm

### Pin Description

Pin No	Pin Name	Notes
1	RF +Vcc	
2, 7	RF GND	
3	DATA IN (Ant)	
10, 12, 15	AF +VCC	Can be ignored on versions without pin 10
11	AF GND	
13	TEST POINT	
14	DATA OUT	

## Electrical Characteristics (Applies to all variants below)

Ambient temperature = 25°Celsius.

Electrical Characteristics	Min	Typ	Max	Dimension
Storage Temperature Range	-30		+85	°C
Operating Temperature Range	-25		+80	°C
Tuning Tolerance		+/- 0.2	+/- 0.5	MHz
Working Frequency Range	200		450	MHz
Level of Emitted Spectrum		-65	-60	dBm
Output Voltage @ 1mA sink		0.6		V
Data Output Current (AM-HRR3-XXX @3.6V)			10	mA

## Characteristics for AM-HRR3-xxx, AM-HRR6-xxx & AM-HRR8-xxx

Electrical Characteristics	AM-HRR3-xxx			AM-HRR6-xxx			AM-HRR8-xxx			Units
	Min	Typ	Max	Min	Typ	Max	Min	Typ	Max	
Supply Voltage	4.5	5	5.5	4.5	5	5.5	2.7	3	3.3	V
Supply Current		2.5	3		0.5			0.5		mA
Time from Power on to Valid Output Signal		1200			150			150		mS
R.F Sensitivity 100% AM	-100	-105			-95			-90		dBm
-3dB Bandwidth		+/- 2	+/- 3		+/- 2	+/- 3		+/- 2	+/- 3	MHz
Data Rate	50		2000	50		2000	50		2000	Hz
High Level Output Voltage	4.5			4.5			4.5			V

## Characteristics for AM-HRR10-xxx and AM-HRR11-xxx

Electrical Characteristics	AM-HRR10-xxx			AM-HRR11-xxx			Units
	Min	Typ	Max	Min	Typ	Max	
Supply Voltage	4.5	5	5.5	4.5	5	5.5	V
Supply Current		1.2	1.5		0.3		mA
Time from Power on to Valid Output Signal		150			100	150	mS
R.F Sensitivity 100% AM	-100	-102			-95		dBm
-3dB Bandwidth		+/- 1.5	+/- 2		+/- 2	+/- 3	MHz
Data Rate	50		2000			2000	Hz
High Level Output Voltage	3.6			3.6			V
Low Level Output Voltage			0.6			0.6	V

## Characteristics for AM-HRR16-xxx/s and AM-HRR18-xxx

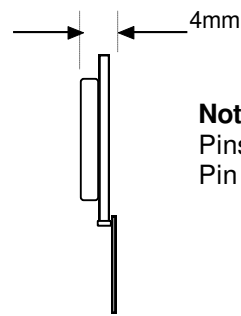
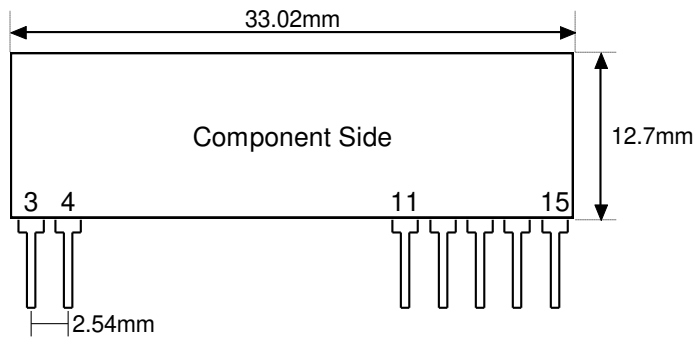
Electrical Characteristics	AM-HRR16-xxx			AM-HRR18-xxx			Units
	Min	Typ	Max	Min	Typ	Max	
Supply Voltage	4.5	5	5.5	2.75	3	3.25	V
Supply Current		4			0.07		mA
Time from Power on to Valid Output Signal					2,000		mS
R.F Sensitivity 100% AM	-98	+/-250	+/-300		-94		dBm
-3dB Bandwidth		-102			0.6		MHz
Data Rate	3600	4800	9600		2,000	3,000	Hz
High Level Output Voltage	4.5			4.5			V
Low Level Output Voltage			0.5			0.5	V

## 868MHz Products

The following modules are available from stock as 868MHz

Part Number	868	Description
AM-HRR13-868	√	Low Power Receiver (0.5mA)

### AM-HRR13-868



#### Notes

Pins on 0.1" pitch  
Pin Dims :0.25 x 0.50mm

### Pin Description

Pin No	Pin Name
3	DATA IN (Ant)
4	GND
11	AF GND
12	NC
13	TEST POINT
14	DATA OUT
15	AF +VCC

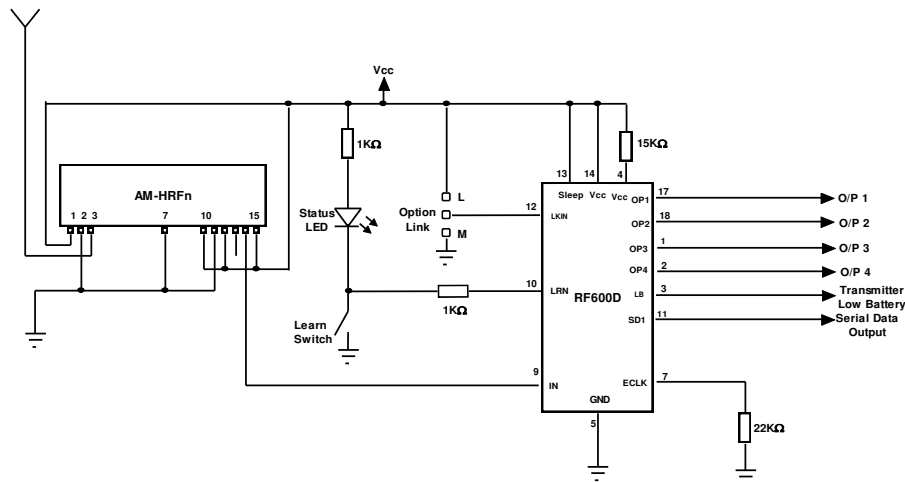
### AM-HRR13-868 Electrical Characteristics

Ambient temperature = 25° Celsius.

ELECTRICAL CHARACTERISTICS	MIN	TYPICAL	MAX	DIMENSION
Storage Temperature Range	-30		+85	°C
Operating Temperature Range	-25		+85	°C
Operating Frequency		868.350		MHz
Tuning Tolerance		±0.2	±0.5	MHz
Supply Voltage	4.5	5	5.5	V
Supply Current		0.5		mA
Data Rate	50		4800	bits/Sec
Time from Power on to Valid Output Signal		100		mSecs
R.F Sensitivity 100% AM		-90		dBm
-3dB Bandwidth		+/- 2		MHz
Conducted Spurious Emissions			-60	dBm
High Level Output Voltage	3.5			V
Low Level Output Voltage			0.25	V

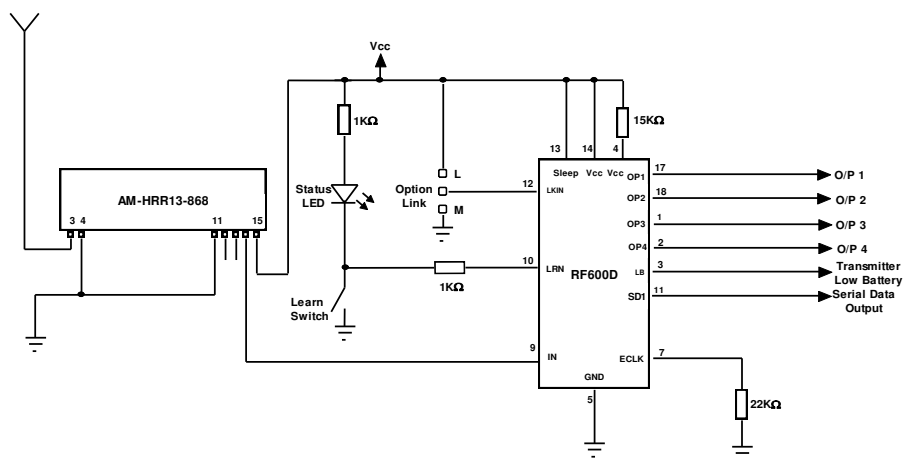
## Application Circuits

### Products From 250-450MHz



NOTE: For versions without PIN 10 all other connections are the same.

### 868MHz Products



### RF Solutions Ltd. Recycling Notice

Meets the following EC Directives:

#### DO NOT

Discard with normal waste, please recycle.



#### ROHS Directive 2002/95/EC

Specifies certain limits for hazardous substances.



#### WEEE Directive 2002/96/EC

Waste electrical & electronic equipment. This product must be disposed of through a licensed WEEE collection point. RF Solutions Ltd., fulfills its WEEE obligations by membership of an approved compliance scheme.

### Waste Batteries and Accumulators

#### Directive 2006/66/EC

Where batteries are fitted, before recycling the product, the batteries must be removed and disposed of at a licensed collection point.

#### Environment Agency producer registration number:

WEE/JB0104WV.

#### Disclaimer:

Whilst the information in this document is believed to be correct at the time of issue, RF Solutions Ltd does not accept any liability whatsoever for its accuracy, adequacy or completeness. No express or implied warranty or representation is given relating to the information contained in this document. RF Solutions Ltd reserves the right to make changes and improvements to the product(s) described herein without notice. Buyers and other users should determine for themselves the suitability of any such information or products for their own particular requirements or specification(s). RF Solutions Ltd shall not be liable for any loss or damage caused as a result of user's own determination of how to deploy or use RF Solutions Ltd's products. Use of RF Solutions Ltd products or components in life support and/or safety applications is not authorised except with express written approval. No licences are created, implicitly or otherwise, under any of RF Solutions Ltd's intellectual property rights. Liability for loss or damage resulting or caused by reliance on the information contained herein or from the use of the product (including liability resulting from negligence or where RF Solutions Ltd was aware of the possibility of such loss or damage arising) is excluded. This will not operate to limit or restrict RF Solutions Ltd's liability for death or personal injury resulting from its negligence.