



Chipsmall Limited consists of a professional team with an average of over 10 year of expertise in the distribution of electronic components. Based in Hongkong, we have already established firm and mutual-benefit business relationships with customers from,Europe,America and south Asia,supplying obsolete and hard-to-find components to meet their specific needs.

With the principle of “Quality Parts,Customers Priority,Honest Operation,and Considerate Service”,our business mainly focus on the distribution of electronic components. Line cards we deal with include Microchip,ALPS,ROHM,Xilinx,Pulse,ON,Everlight and Freescale. Main products comprise IC,Modules,Potentiometer,IC Socket,Relay,Connector.Our parts cover such applications as commercial,industrial, and automotives areas.

We are looking forward to setting up business relationship with you and hope to provide you with the best service and solution. Let us make a better world for our industry!



Contact us

Tel: +86-755-8981 8866 Fax: +86-755-8427 6832

Email & Skype: info@chipsmall.com Web: www.chipsmall.com

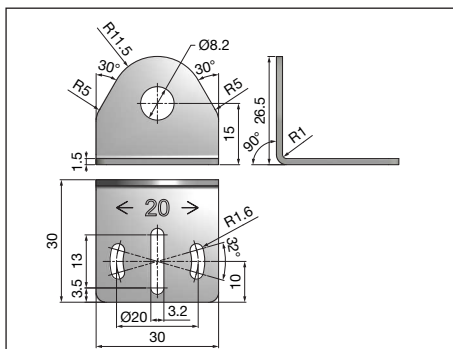
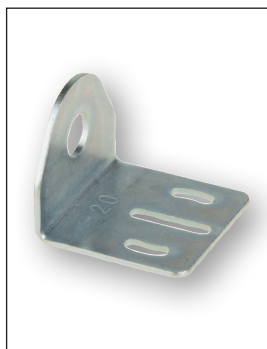
Address: A1208, Overseas Decoration Building, #122 Zhenhua RD., Futian, Shenzhen, China



General Accessories Mounting Brackets

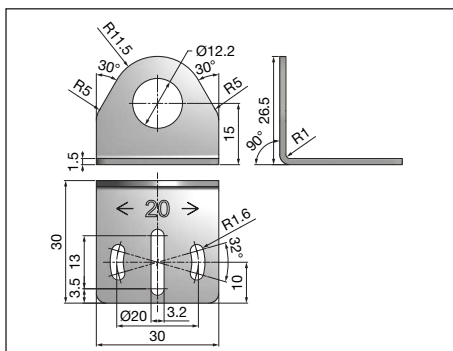
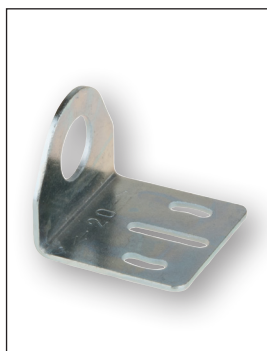


Type AMB8 Angled



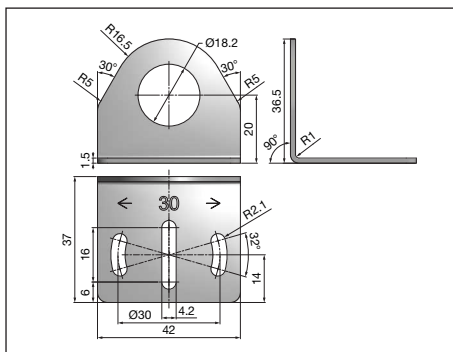
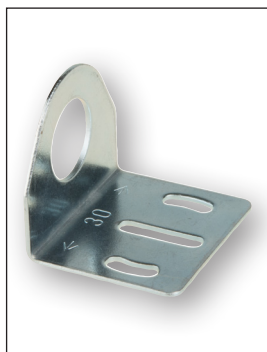
Ordering no.	AMB8-A
Material	Steel, galvanized

Type AMB12 Angled



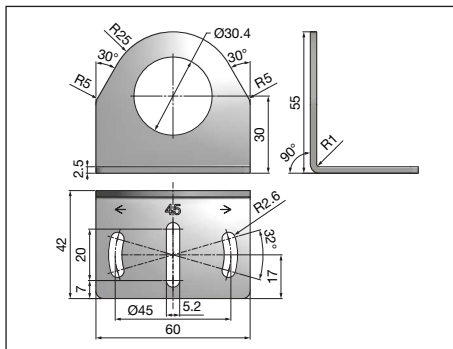
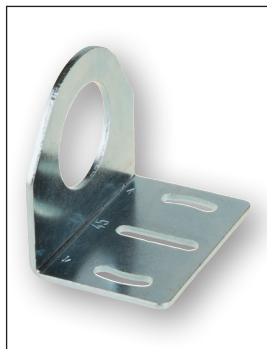
Ordering no.	AMB12-A
Material	Steel, galvanized
Ordering no.	AMB12-A316L
Material	Stainless Steel AISI316L (DIN 1.4404)

Type AMB18 Angled



Ordering no.	AMB18-A
Material	Steel, galvanized
Ordering no.	AMB18-A316L
Material	Stainless Steel AISI316L (DIN 1.4404)

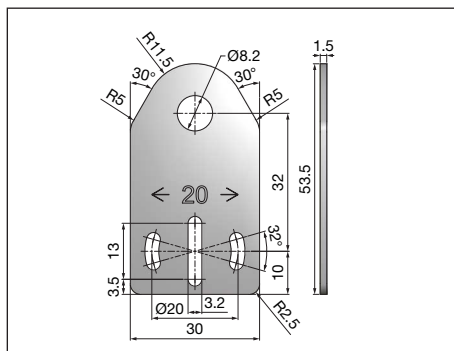
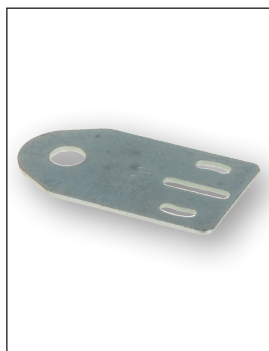
Type AMB30 Angled



Ordering no.	AMB30-A
Material	Steel, galvanized

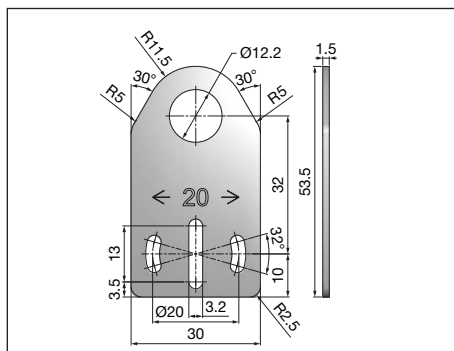
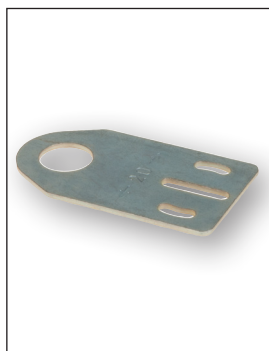


Type AMB8 Straight



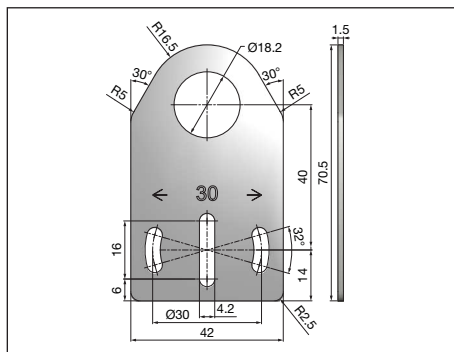
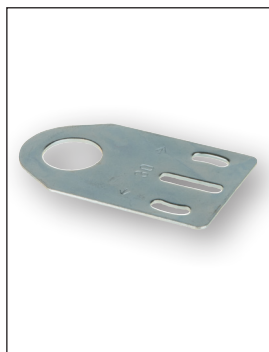
Ordering no.	AMB8-S
Material	Steel, galvanized

Type AMB12 Straight



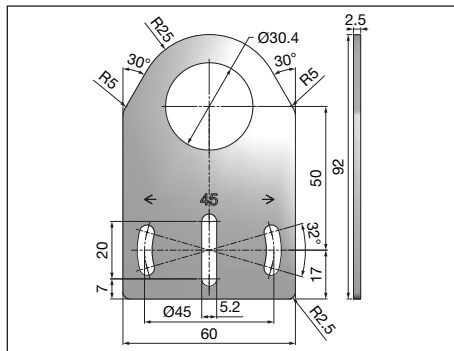
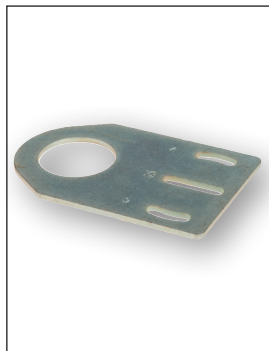
Ordering no.	AMB12-S
Material	Steel, galvanized
Ordering no.	AMB12-S316L
Material	Stainless Steel AISI316L (DIN 1.4404)

Type AMB18 Straight



Ordering no.	AMB18-S
Material	Steel, galvanized
Ordering no.	AMB18-S316L
Material	Stainless Steel AISI316L (DIN 1.4404)

Type AMB30 Straight



Ordering no.	AMB30-S
Material	Steel, galvanized