



Chipsmall Limited consists of a professional team with an average of over 10 year of expertise in the distribution of electronic components. Based in Hongkong, we have already established firm and mutual-benefit business relationships with customers from,Europe,America and south Asia,supplying obsolete and hard-to-find components to meet their specific needs.

With the principle of “Quality Parts,Customers Priority,Honest Operation,and Considerate Service”,our business mainly focus on the distribution of electronic components. Line cards we deal with include Microchip,ALPS,ROHM,Xilinx,Pulse,ON,Everlight and Freescale. Main products comprise IC,Modules,Potentiometer,IC Socket,Relay,Connector.Our parts cover such applications as commercial,industrial, and automotives areas.

We are looking forward to setting up business relationship with you and hope to provide you with the best service and solution. Let us make a better world for our industry!



Contact us

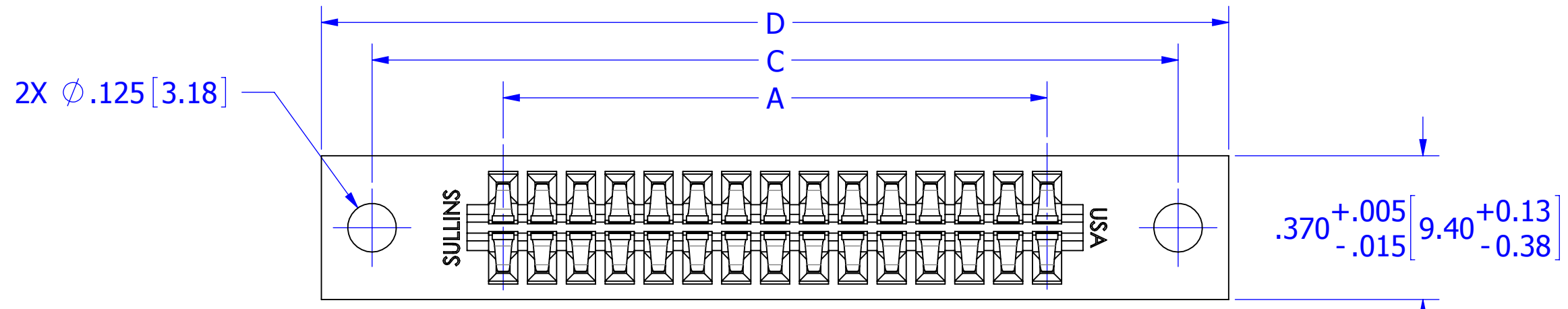
Tel: +86-755-8981 8866 Fax: +86-755-8427 6832

Email & Skype: info@chipsmall.com Web: www.chipsmall.com

Address: A1208, Overseas Decoration Building, #122 Zhenhua RD., Futian, Shenzhen, China

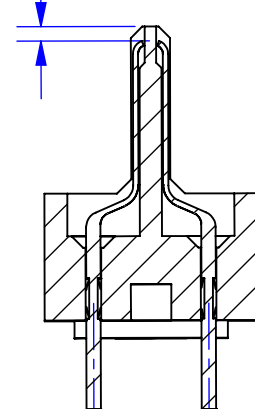


REVISIONS				
REV.	ECO. NO	DESCRIPTION	DATE	BY
L	3809	ADD KEY SLOT IN POSITION, KEY SLOT BETWEEN POSITIONS OPTION, OBSOLETE DWG 12896 (REPLACE WITH DWG 11051)	2/13/2018	JH

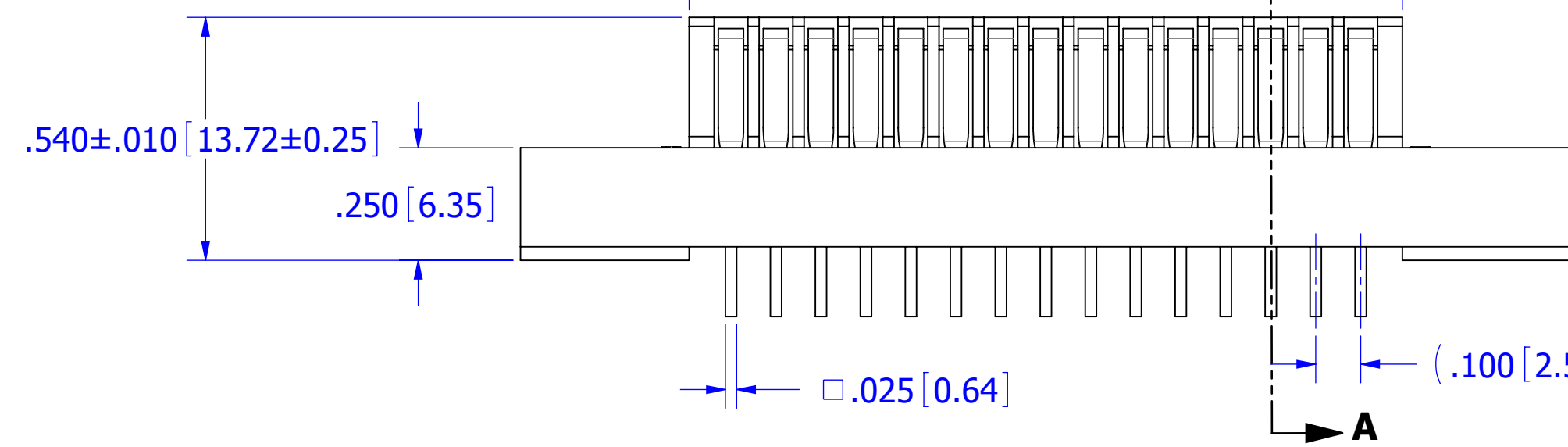


(.025 [0.64]) DEPTH FROM TOP OF INSULATOR TO TOP OF PIN

FITS EDGECARDS THAT ACCEPT .062 [1.57] PCB's



SECTION A-A

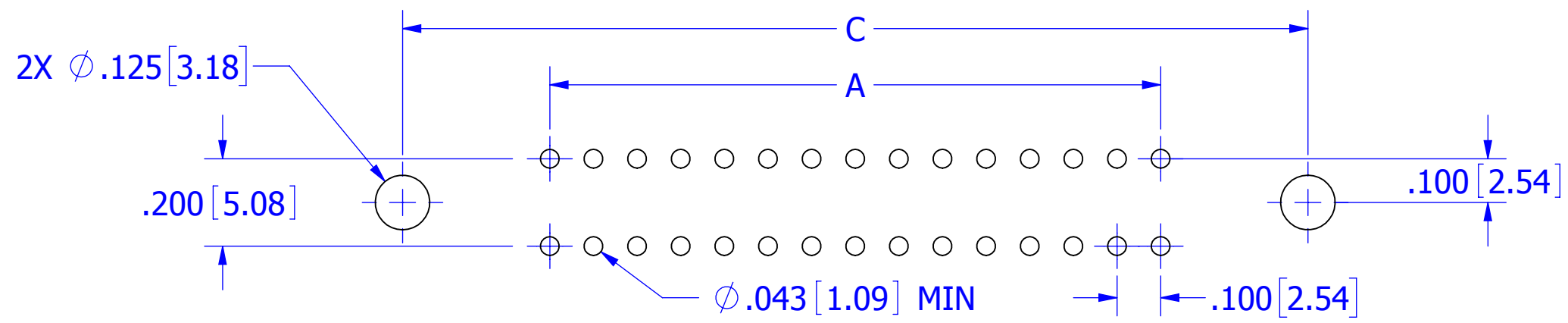


.030 [0.76]

MW = .125 ± .025 [3.18 ± 0.64]
MS = .190 ± .025 [4.83 ± 0.64]
MM = .560 ± .025 [14.22 ± 0.64]

(.200 [5.08]) ROW SPACING

C M D
G C M D-S2196



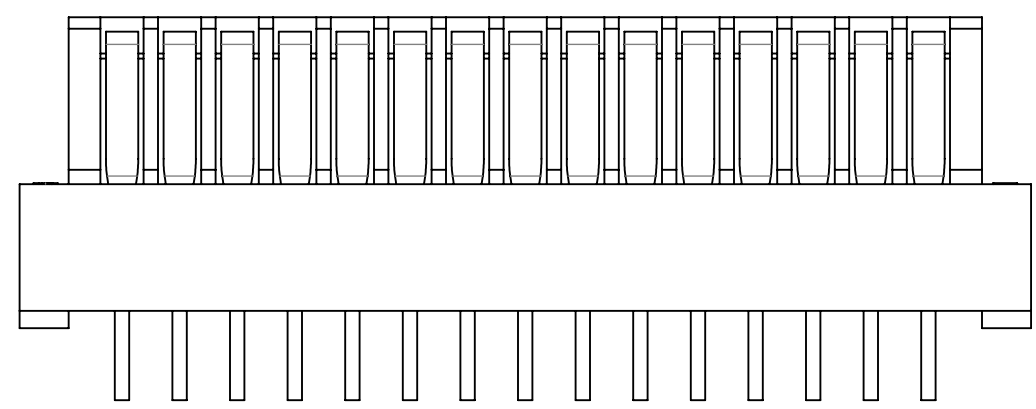
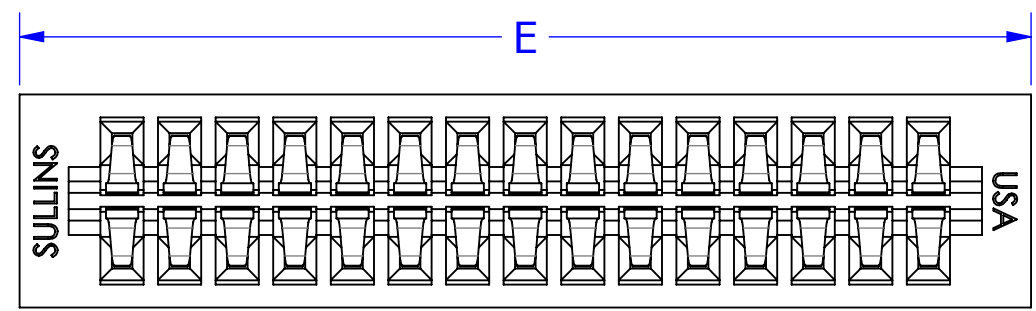
RECOMMENDED PCB LAYOUT

- NOTES:
1. INSULATOR MATERIAL: SEE PART NUMBER CODING
 2. CONTACT MATERIAL: SEE PART NUMBER CODING
 3. PLATING: SEE PART NUMBER CODING
 4. OPERATING TEMPERATURE: SEE PART NUMBER CODING
 5. PROCESSING TEMP: SEE PART NUMBER CODING
 6. UL FLAMMABILITY RATING: 94V-0
 7. OPERATING VOLTAGE: 700 VAC
 8. CURRENT RATING: 3 AMP
 9. CONTACT RESISTANCE: 30 MILLI OHMS MAX
 10. INSULATION RESISTANCE: 5000 MEGA OHMS
 11. CONNECTOR IDENTIFICATION: PART SHALL BE MARKED WITH A PART NUMBER AND LOT CODE
 12. MODIFICATION: SEE PART NUMBER CODING

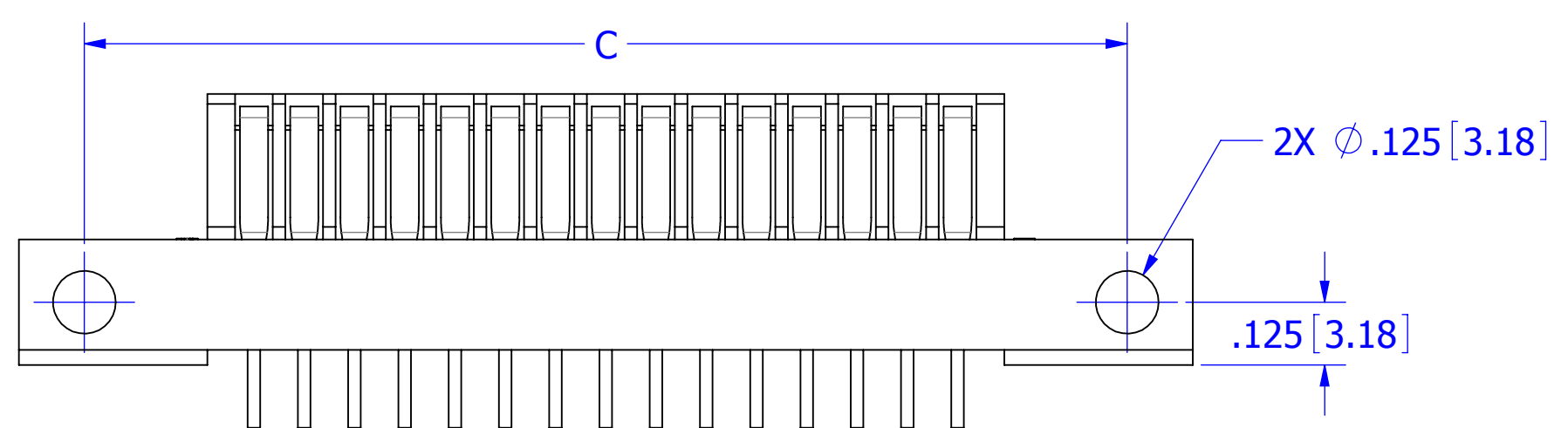
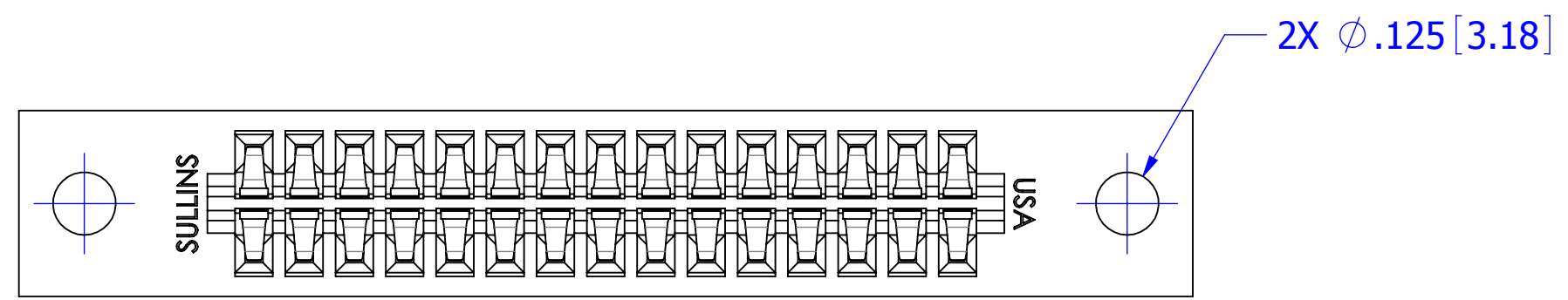
CUSTOMER COPY



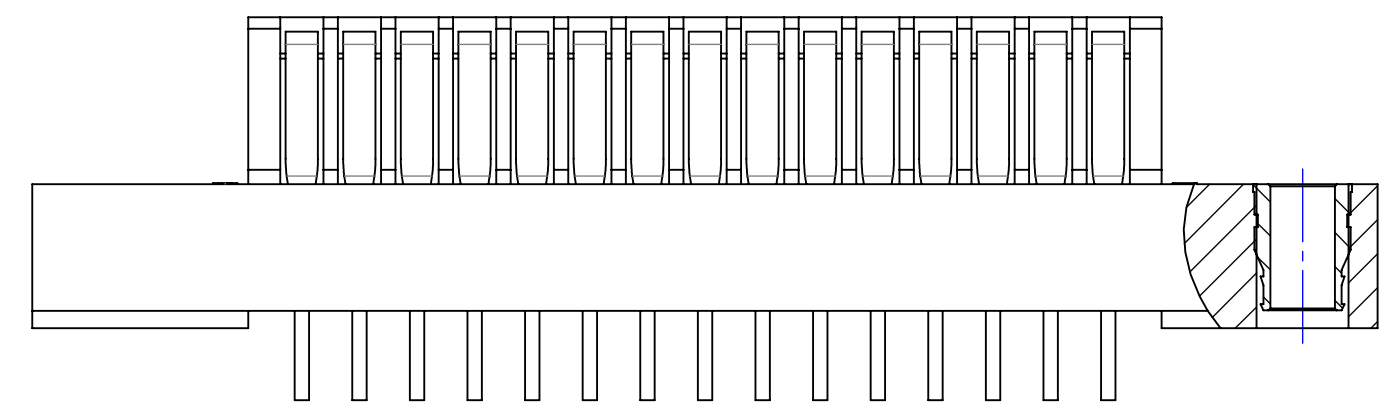
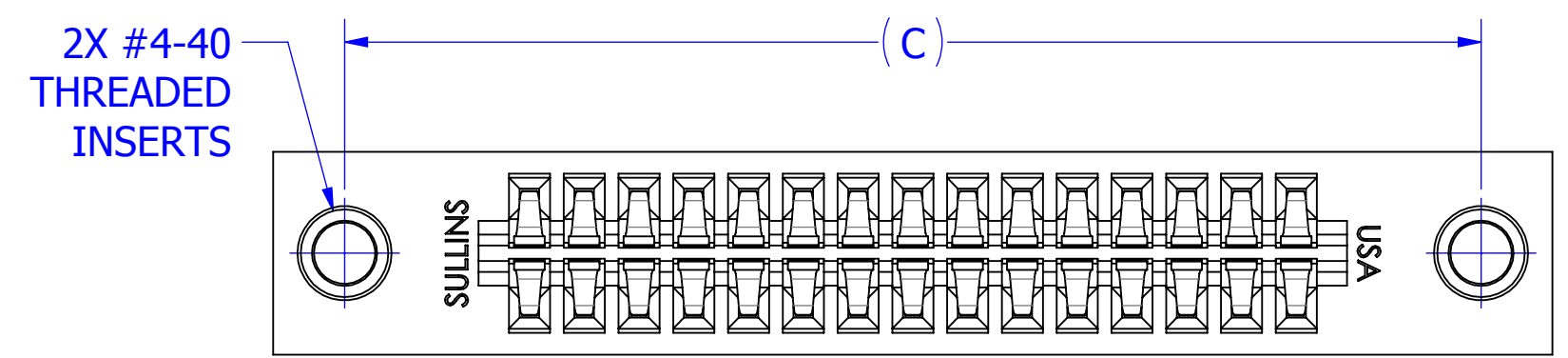
UNLESS OTHERWISE SPECIFIED: DIMENSIONS ARE IN INCHES [MM]		DRAWN	DATE	NAME	
TOLERANCES:			02/05/08	MNH	
ANGULAR: ± 1°		THE INFORMATION HEREIN CONTAINS PROPRIETARY INFORMATION OF SULLINS ELECTRONICS AND IS NOT TO BE REPRODUCED, USED OR DISCLOSED TO OTHERS FOR ANY PURPOSE EXCEPT AS SPECIFICALLY AUTHORIZED IN WRITING BY AN OFFICER OF SULLINS ELECTRONICS.			TITLE
DECIMALS .XX = ± .02 [.5] .XXX = ± .005 [.13] .XXXX = ± .0005 [.013]		PART NUMBER			MALE, EDGE CARD, .100 CC
		SIZE			__C__M(MW,MS,MM)-(S2196)
		C	54453	DWG. NO.	C11051
		SCALE: 3:1			REV L
					SHEET 1 OF 5



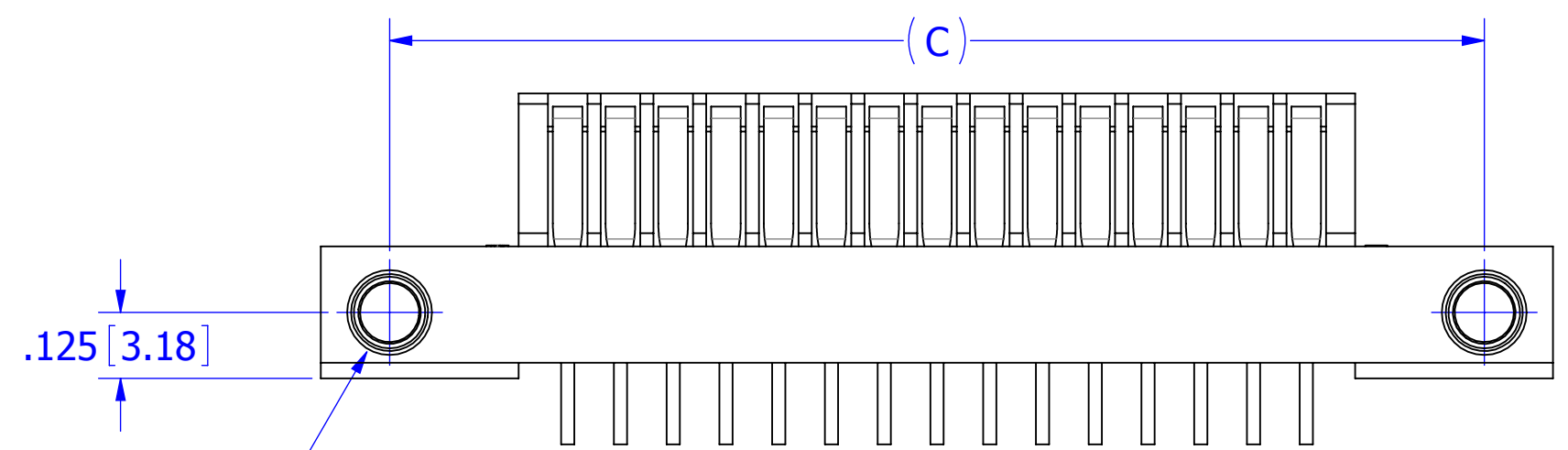
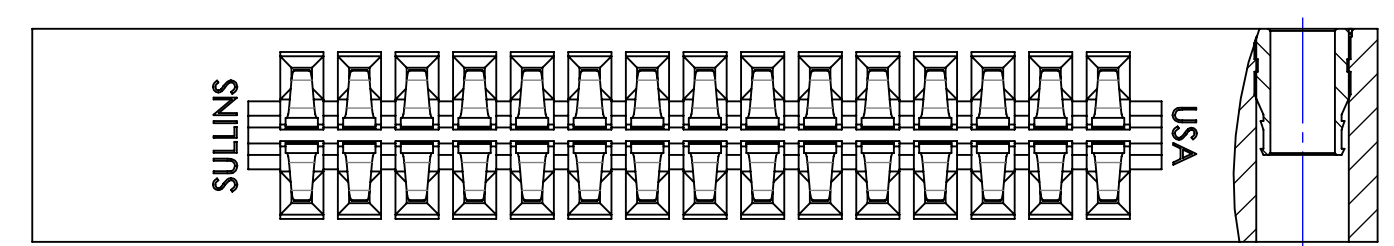
G_C_M_N-S2196



G_C_M_Z-S2196



G_C_M_T-(OMIT, S2196)



G_C_M_V-S2196

CUSTOMER COPY

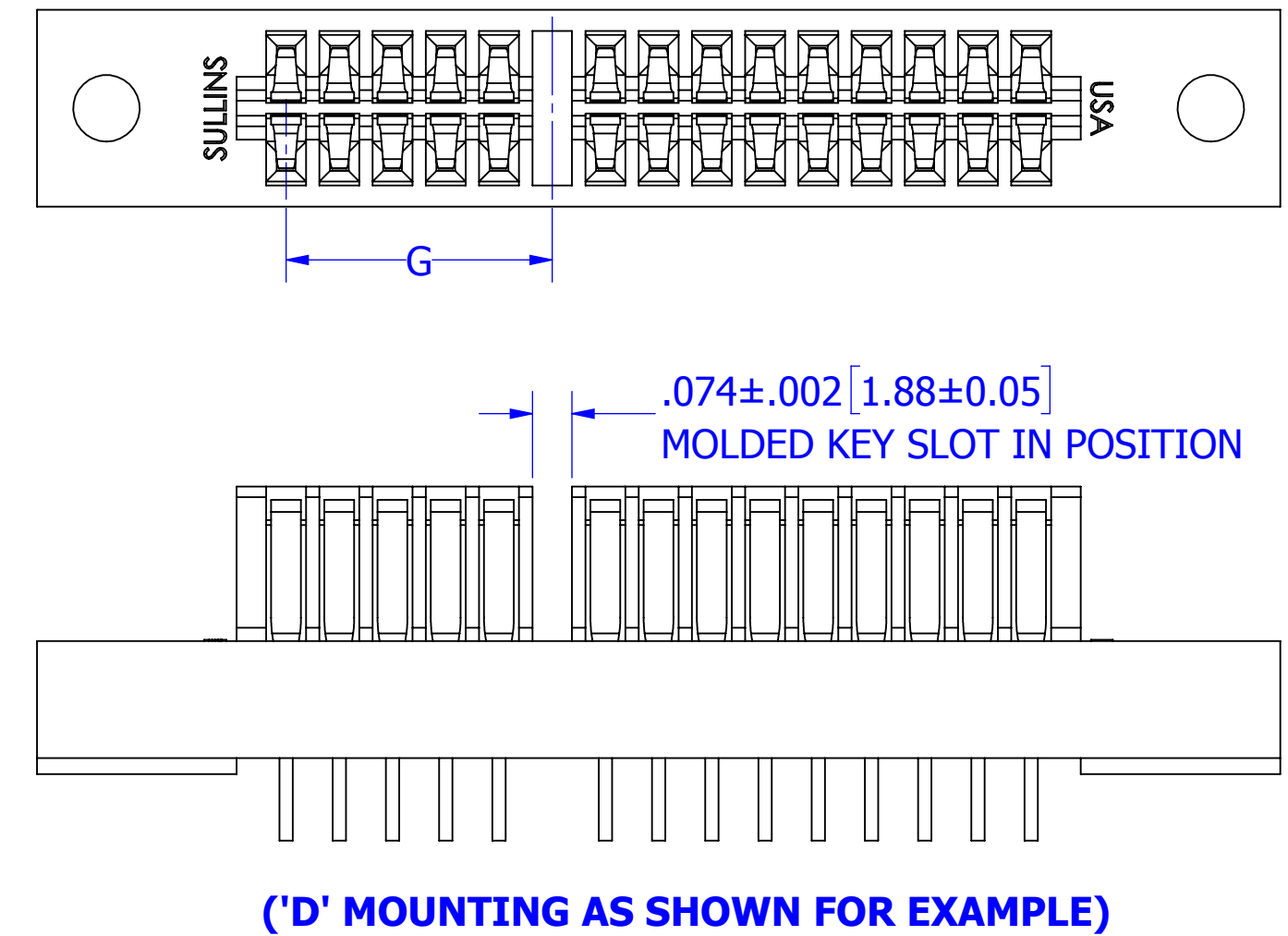


UNLESS OTHERWISE SPECIFIED: DIMENSIONS ARE IN INCHES [MM]	DRAWN	DATE	NAME	
		02/05/08	MNH	
TOLERANCES: ANGULAR: ± 1° DECIMALS .XX= ± .02 [.5] .XXX= ± .005 [.13] .XXXX= ± .0005 [.013]	THE INFORMATION HEREIN CONTAINS PROPRIETARY INFORMATION OF SULLINS ELECTRONICS AND IS NOT TO BE REPRODUCED, USED OR DISCLOSED TO OTHERS FOR ANY PURPOSE EXCEPT AS SPECIFICALLY AUTHORIZED IN WRITING BY AN OFFICER OF SULLINS ELECTRONICS.			TITLE
				MALE, EDGE CARD, .100 CC
PART NUMBER				REV
G_C_M(MW,MS,MM)-(S2196)				L
SIZE	CAGE CODE	DWG. NO.		
C	54453	C11051		
SCALE: 3:1		SHEET 2 OF 5		

STANDARD LOCATION TABLE FOR KEY SLOT IN POSITION ***

MOLDED KEY IN POSITION	MODIFICATION NUMBER (S#)	G±.008[±0.20]	
		INCH	MM
01		N/A	N/A
02	S2001	0.100	2.54
03	S1732	0.200	5.08
04	S1769	0.300	7.62
05	S2067	0.400	10.16
06	S1442	0.500	12.70
07	S1632	0.600	15.24
08	S1180	0.700	17.78
09	S1172	0.800	20.32
10	S1599	0.900	22.86
11		1.000	25.40
12	S1810	1.100	27.94
13	S1114	1.200	30.48
14	S1013	1.300	33.02
15	S1036	1.400	35.56
16	S2174	1.500	38.10
17	S1812	1.600	40.64
18		1.700	43.18
19		1.800	45.72
20	S1293	1.900	48.26
21	S1221	2.000	50.80
22	S1808	2.100	53.34
23		2.200	55.88
24	S1788	2.300	58.42
25	S2068	2.400	60.96
26		2.500	63.50
27		2.600	66.04
28	S1242	2.700	68.58
29		2.800	71.12
30		2.900	73.66
31		3.000	76.20
32		3.100	78.74
33		3.200	81.28
34		3.300	83.82
35		3.400	86.36

MOLDED KEY IN POSITION	MODIFICATION NUMBER (S#)	G±.008[±0.20]	
		INCH	MM
36		3.500	88.90
37		3.600	91.44
38	S1306	3.700	93.98
39		3.800	96.52
40		3.900	99.06
41	S1546	4.000	101.60
42	S1405	4.100	104.14
43		4.200	106.68
44		4.300	109.22
45		4.400	111.76
46		4.500	114.30
47		4.600	116.84
48		4.700	119.38
49		4.800	121.92
50	S1561	4.900	124.46
51	S1376	5.000	127.00
52	S2247	5.100	129.54
53		5.200	132.08
54		5.300	134.62
55		5.400	137.16
56		5.500	139.70
57		5.600	142.24
58	S346	5.700	144.78
59		5.800	147.32
60		5.900	149.86



MATING SULLINS PRODUCT SERIES:

1. STD LOW PROFILE FEMALE CONNECTORS WITH MOLDED KEY IN POSITION
2. STD HIGH PROFILE FEMALE CONNECTORS WITH MOLDED KEY IN POSITION

***CONNECTOR TOTAL POSITIONS MUST BE AT LEAST ONE POSITION LONGER THAN KEY SLOT LOCATION.



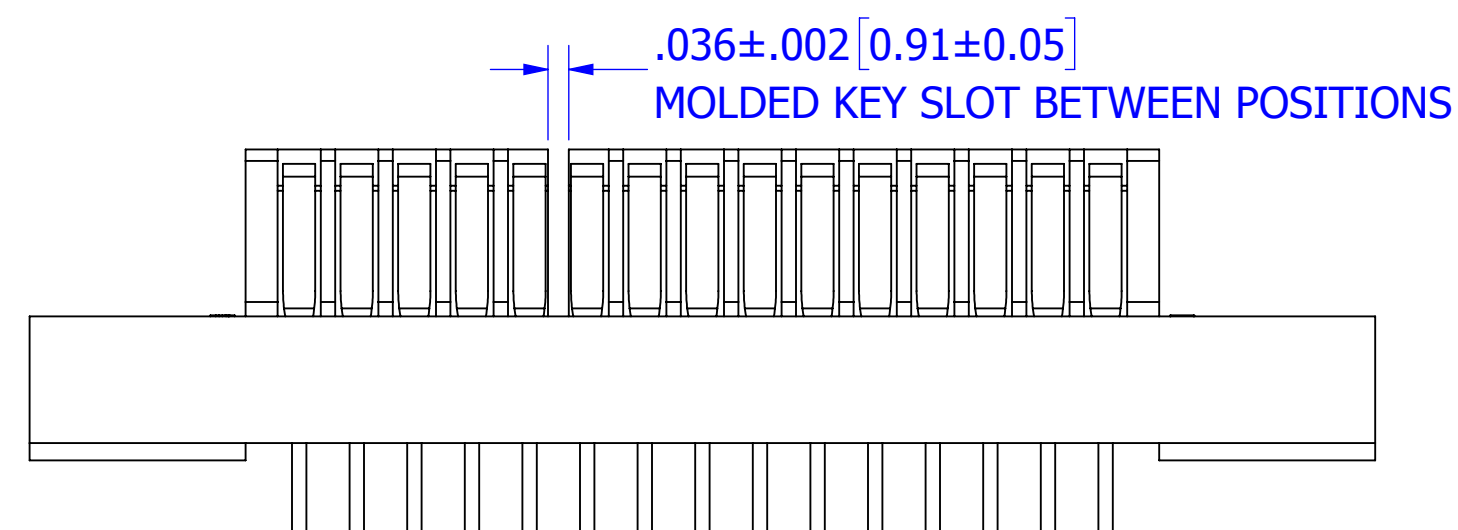
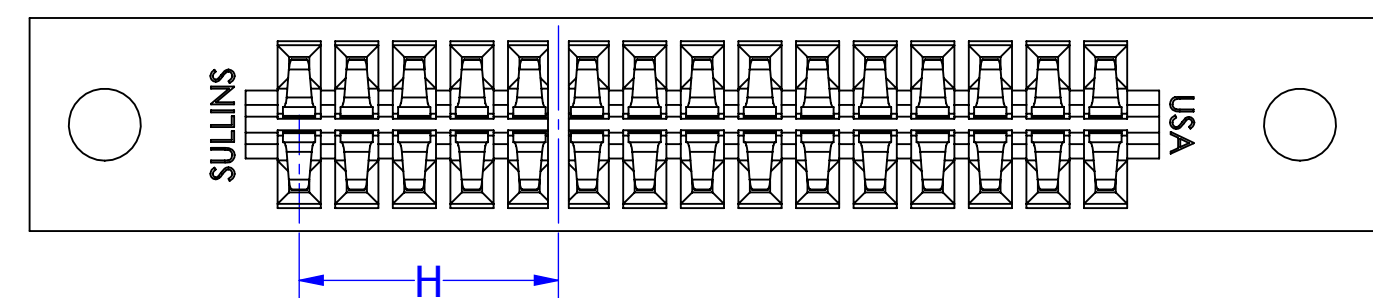
RoHS COMPLIANT

CUSTOMER COPY

UNLESS OTHERWISE SPECIFIED: DIMENSIONS ARE IN INCHES [MM]		DRAWN	DATE	NAME	
			02/05/08	MNH	
TOLERANCES:		<small>THE INFORMATION HEREIN CONTAINS PROPRIETARY INFORMATION OF SULLINS ELECTRONICS AND IS NOT TO BE REPRODUCED, USED OR DISCLOSED TO OTHERS FOR ANY PURPOSE EXCEPT AS SPECIFICALLY AUTHORIZED IN WRITING BY AN OFFICER OF SULLINS ELECTRONICS.</small>			
ANGULAR: ± 1°		TITLE			
DECIMALS		MALE, EDGE CARD, .100 CC, STD KEY SLOT IN POSITION			
.XX=± .02 [.5]		PART NUMBER			
.XXX=± .005 [.13]		C M(MW,MS,MM) -S			
.XXXX=± .0005 [.013]		SIZE	CAGE CODE	DWG. NO.	REV
		C	54453	C11051	L
		SCALE: 3:1		SHEET 4 OF 5	

STANDARD LOCATION TABLE FOR KEY SLOT BETWEEN POSITIONS ***

MOLDED KEY BETWEEN POSITIONS	H±.008[±0.20]		MODIFICATION NUMBER (S#) FOR STD KEY SLOT BETWEEN POSITIONS ONLY
	INCH	MM	
1 & 2	0.050	1.27	S1061
2 & 3	0.150	3.81	S688
3 & 4	0.250	6.35	S715
4 & 5	0.350	8.89	S797
5 & 6	0.450	11.43	S1032
6 & 7	0.550	13.97	S2379
7 & 8	0.650	16.51	S2038
8 & 9	0.750	19.05	
9 & 10	0.850	21.59	
10 & 11	0.950	24.13	S1245
11 & 12	1.050	26.67	
12 & 13	1.150	29.21	
13 & 14	1.250	31.75	
14 & 15	1.350	34.29	
15 & 16	1.450	36.83	
16 & 17	1.550	39.37	
17 & 18	1.650	41.91	
18 & 19	1.750	44.45	
19 & 20	1.850	46.99	
20 & 21	1.950	49.53	
21 & 22	2.050	52.07	
22 & 23	2.150	54.61	
23 & 24	2.250	57.15	
24 & 25	2.350	59.69	
25 & 26	2.450	62.23	S1105
26 & 27	2.550	64.77	
27 & 28	2.650	67.31	S1073
28 & 28	2.750	69.85	
29 & 30	2.850	72.39	
30 & 31	2.950	74.93	S1688
31 & 32	3.050	77.47	
32 & 33	3.150	80.01	S1440
33 & 34	3.250	82.55	
34 & 35	3.350	85.09	S1215
35 & 36	3.450	87.63	
36 & 37	3.550	90.17	
37 & 38	3.650	92.71	
38 & 39	3.750	95.25	
39 & 40	3.850	97.79	
40 & 41	3.950	100.33	
41 & 42	4.050	102.87	
42 & 43	4.150	105.41	
43 & 44	4.250	107.95	
44 & 45	4.350	110.49	
45 & 46	4.450	113.03	
46 & 47	4.550	115.57	
47 & 48	4.650	118.11	
48 & 49	4.750	120.65	
49 & 50	4.850	123.19	
50 & 51	4.950	125.73	
51 & 52	5.050	128.27	
52 & 53	5.150	130.81	
53 & 54	5.250	133.35	
54 & 55	5.350	135.89	
55 & 56	5.450	138.43	
56 & 57	5.550	140.97	
57 & 58	5.650	143.51	
58 & 59	5.750	146.05	
59 & 60	5.850	148.59	



('D' MOUNTING AS SHOWN FOR EXAMPLE)

MATING SULLINS PRODUCT SERIES:

1. STD LOW PROFILE FEMALE CONNECTORS WITH MOLDED KEY BETWEEN POSITIONS, OR WITH IN-BETWEEN CONTACT KEY (SULLINS P/N: PLA-K1)
2. HIGH PROFILE FEMALE CONNECTORS WITH MOLDED KEY .030" WIDE BETWEEN POSITIONS (CONSULT FACTORY FOR PART NUMBER)

***CONNECTOR TOTAL POSITIONS MUST BE AT LEAST ONE POSITION LONGER THAN KEY SLOT LOCATION.

CUSTOMER COPY



UNLESS OTHERWISE SPECIFIED: DIMENSIONS ARE IN INCHES [MM]		DRAWN	DATE	NAME	
			02/05/08	MNH	
TOLERANCES:		<small>THE INFORMATION HEREIN CONTAINS PROPRIETARY INFORMATION OF SULLINS ELECTRONICS AND IS NOT TO BE REPRODUCED, USED OR DISCLOSED TO OTHERS FOR ANY PURPOSE EXCEPT AS SPECIFICALLY AUTHORIZED IN WRITING BY AN OFFICER OF SULLINS ELECTRONICS.</small>			
ANGULAR: ± 1°		TITLE			
DECIMALS		MALE, EDGE CARD, .100 CC, STD KEY SLOT BETWEEN POSITIONS			
.XX=± .02 [.5]		PART NUMBER			
.XXX=± .005 [.13]		_C_M(MW,MS,MM)_S_			
.XXXX=± .0005 [.013]		SIZE	CAGE CODE	DWG. NO.	REV
		C	54453	C11051	L
		SCALE: 3:1		SHEET 5 OF 5	