



Chipsmall Limited consists of a professional team with an average of over 10 year of expertise in the distribution of electronic components. Based in Hongkong, we have already established firm and mutual-benefit business relationships with customers from,Europe,America and south Asia,supplying obsolete and hard-to-find components to meet their specific needs.

With the principle of “Quality Parts,Customers Priority,Honest Operation,and Considerate Service”,our business mainly focus on the distribution of electronic components. Line cards we deal with include Microchip,ALPS,ROHM,Xilinx,Pulse,ON,Everlight and Freescale. Main products comprise IC,Modules,Potentiometer,IC Socket,Relay,Connector.Our parts cover such applications as commercial,industrial, and automotives areas.

We are looking forward to setting up business relationship with you and hope to provide you with the best service and solution. Let us make a better world for our industry!



## Contact us

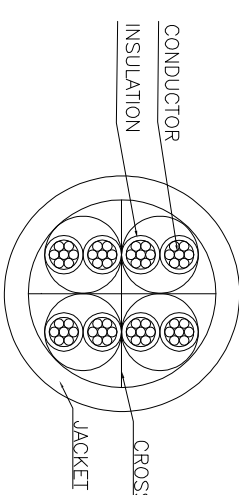
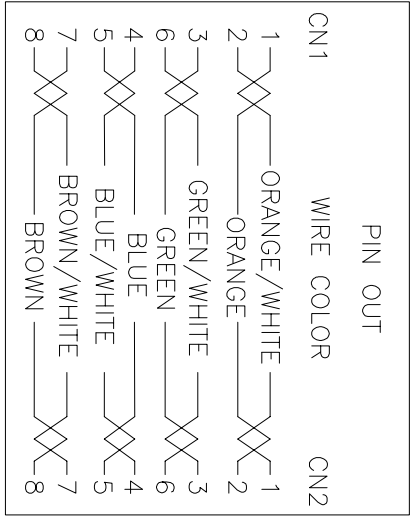
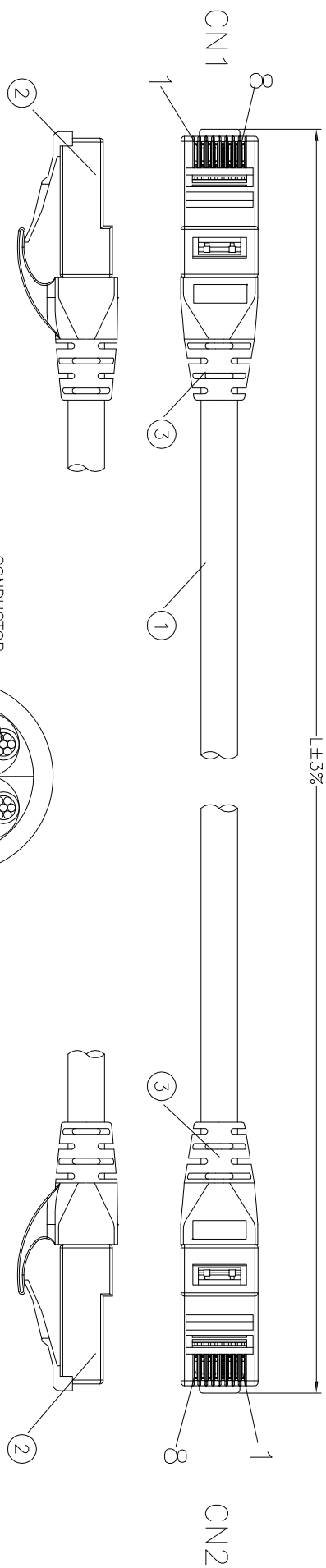
Tel: +86-755-8981 8866 Fax: +86-755-8427 6832

Email & Skype: info@chipsmall.com Web: www.chipsmall.com

Address: A1208, Overseas Decoration Building, #122 Zhenhua RD., Futian, Shenzhen, China



1	2	3	4	5	6	7
A	B	C	D	E	F	G



Electrical test:  
Open/short/intermittence: 100%

NO.	NAME	DESCRIPTION	QTY	UNIT
③	Molding	PVC 45P Color: see order code	NA	KG
②	CONNECTOR	RJ45 8P8C two fork Short type 3u" gold plated	2	PCS
①	CABLE	CAT6 UTP (24AWG*1PR)*4+PVC OD=5.8±0.3MM Color: see order code	NA	NM

WSW order code  
AMJJE0909-xxxx-xxB-24①

Cable length  
0030: 0.3M  
0050: 0.5M  
0100: 1.0M  
0150: 1.5M  
0200: 2.0M  
0300: 3.0M  
0500: 5.0M  
0700: 7.0M  
1000: 10M  
1500: 15M

Cable&Molding color  
BK: Black  
RD: Red  
YE: Yellow  
GN: Green  
GY: Grey  
BU: Blue  
WH: White  
BN: Brown

**RoHS compliant**  
Unit: mm

Scale	Free	Date		Name	
TOLERANCE		Drawn	30.03.2017	Any	Any
		Approved	02.06.2017	Any	Any
DIM	TOL	Update the WSW order code			
		①	02.06.2017	Any	Any
Angle	TOL	①	30.03.2017	Any	Any
		Id.	Modification	Date	Name



Customer-No.  
ASSMANN WSW-No.  
① AMJJE0909-xxxx-xxB-24

Drawing-No.  
ASS 7945 CA  
rev01

Replace  
Sheet

1	2	3	4	5	6	7
H	G	F	E	D	C	B