



Chipsmall Limited consists of a professional team with an average of over 10 year of expertise in the distribution of electronic components. Based in Hongkong, we have already established firm and mutual-benefit business relationships with customers from,Europe,America and south Asia,supplying obsolete and hard-to-find components to meet their specific needs.

With the principle of “Quality Parts,Customers Priority,Honest Operation,and Considerate Service”,our business mainly focus on the distribution of electronic components. Line cards we deal with include Microchip,ALPS,ROHM,Xilinx,Pulse,ON,Everlight and Freescale. Main products comprise IC,Modules,Potentiometer,IC Socket,Relay,Connector.Our parts cover such applications as commercial,industrial, and automotives areas.

We are looking forward to setting up business relationship with you and hope to provide you with the best service and solution. Let us make a better world for our industry!



Contact us

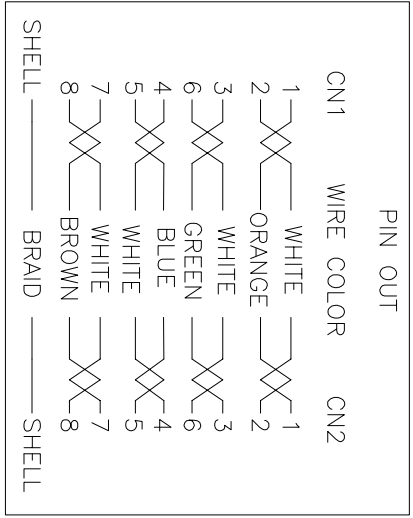
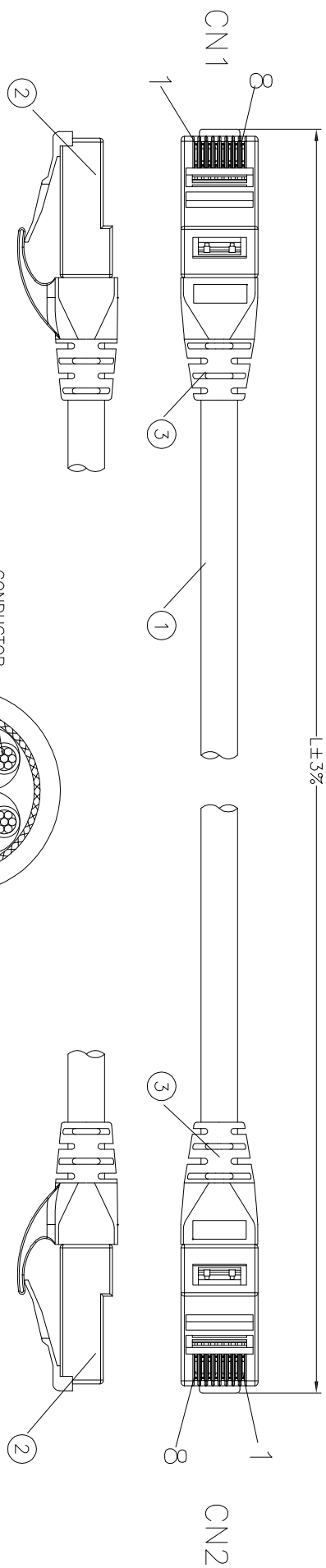
Tel: +86-755-8981 8866 Fax: +86-755-8427 6832

Email & Skype: info@chipsmall.com Web: www.chipsmall.com

Address: A1208, Overseas Decoration Building, #122 Zhenhua RD., Futian, Shenzhen, China



| | | | | | | |
|---|---|---|---|---|---|---|
| 1 | 2 | 3 | 4 | 5 | 6 | 7 |
| A | B | C | D | E | F | G |



Electrical test:
Open/short/intermittence: 100%

| NO: | NAME | DESCRIPTION | QTY | UNIT |
|-----|-----------|---|-----|------|
| ③ | Molding | LSOH PVC 45P Color: see order code | NA | KG |
| ② | CONNECTOR | RJ45 8P8C two fork 3u" gold plated with metal shield | 2 | PCS |
| ① | CABLE | CAT6a S/FTP (26AWG*-1PR+A)*4+B+LSOH OD=5.8±0.3MM Color: see order code | NA | NM |

WSW order code
AMJUS1010-xxxx-xxB-26①

Cable length
0030: 0.3M
0050: 0.5M
0100: 1.0M
0150: 1.5M
0200: 2.0M
0300: 3.0M
0500: 5.0M
0700: 7.0M
1000: 10M
1500: 15M

Cable&Molding color
BK: Black
RD: Red
YE: Yellow
GN: Green
GY: Grey
BU: Blue
WH: White
BN: Brown

RoHS compliant
Unit: mm

| Scale | Free | Customer-No. | |
|----------------------------------|------|------------------------|------------|
| TOLERANCE | | Drawn | 30.03.2017 |
| DIM | | Approved | 02.06.2017 |
| TOL | | | |
| Angle | | | |
| TOL | | | |
| Id. | | | |
| Update the WSW order code | | 02.06.2017 | Amy |
| Drawn | | 30.03.2017 | Amy |
| Modification | | | |
| Date | | | |
| Name | | | |
| ASSMANN | | ASSMANN WSW-No. | |
| components | | ①AMJUS1010-xxxx-xxB-26 | |
| Drawing-No. | | ASSMANN WSW-No. | |
| ASS 7943 CA | | ①AMJUS1010-xxxx-xxB-26 | |
| Replace | | Drawing-No. | |
| rev01 | | ASS 7943 CA | |
| Sheet | | rev01 | |

| | | | | | | |
|---|---|---|---|---|---|---|
| 1 | 2 | 3 | 4 | 5 | 6 | 7 |
| H | G | F | E | D | C | B |