



Chipsmall Limited consists of a professional team with an average of over 10 year of expertise in the distribution of electronic components. Based in Hongkong, we have already established firm and mutual-benefit business relationships with customers from,Europe,America and south Asia,supplying obsolete and hard-to-find components to meet their specific needs.

With the principle of "Quality Parts,Customers Priority,Honest Operation,and Considerate Service",our business mainly focus on the distribution of electronic components. Line cards we deal with include Microchip,ALPS,ROHM,Xilinx,Pulse,ON,Everlight and Freescale. Main products comprise IC,Modules,Potentiometer,IC Socket,Relay,Connector.Our parts cover such applications as commercial,industrial, and automotives areas.

We are looking forward to setting up business relationship with you and hope to provide you with the best service and solution. Let us make a better world for our industry!



Contact us

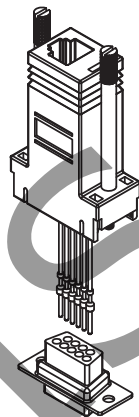
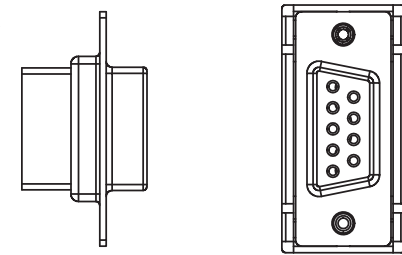
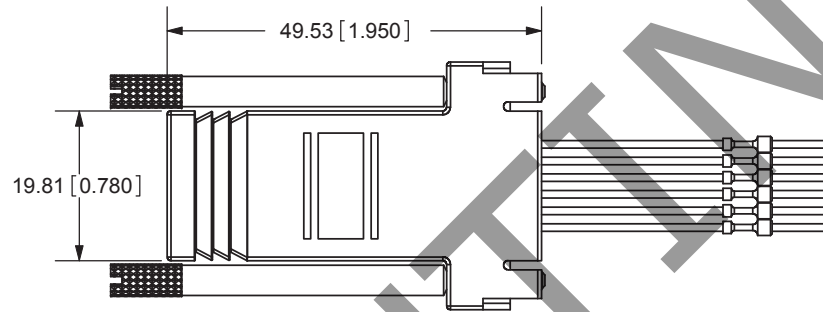
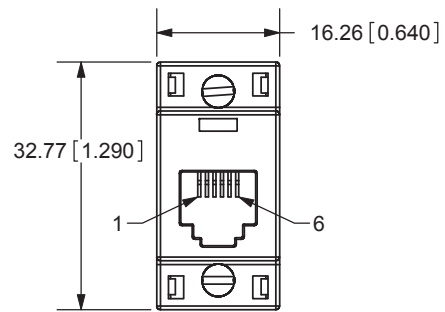
Tel: +86-755-8981 8866 Fax: +86-755-8427 6832

Email & Skype: info@chipsmall.com Web: www.chipsmall.com

Address: A1208, Overseas Decoration Building, #122 Zhenhua RD., Futian, Shenzhen, China



REV.	DESCRIPTION	DATE
A	NEW DRAWING	1/9/2008



SCALE: 1:2

WIRING CHART	
RJ12	WIRE COLOR
1	white
2	black
3	red
4	green
5	yellow
6	blue

PC FILE NAME:
AMK-0002

COPYRIGHT 2008 BY CUI INC.

	MATERIAL	PLATING
DB-09 CONNECTOR	Steel	Tin
RJ12 CONTACTS	Phosphor Bronze	Gold over Nickel
CRIMP CONTACT	Brass	Gold over Nickel
THUMBSCREW	N/A	
HOUSING	Thermoplastic	94-0 Rated

TOLERANCE:
±0.3mm UNLESS OTHERWISE
SPECIFIED



20050 SW 112th Ave.
Tualatin, OR 97062
Phone: 503-612-2300
800-275-4899
Fax: 503-612-2383
Website: www.cui.com

TITLE: MODULAR ADAPTER, RJ12 TO DB-09 MALE		REV: A
PART NO. AMK-0002	UNITS: MM [INCHES]	
DRAWN BY: ZRJ	APPROVED BY:	SCALE: 1:1