



Chipsmall Limited consists of a professional team with an average of over 10 year of expertise in the distribution of electronic components. Based in Hongkong, we have already established firm and mutual-benefit business relationships with customers from,Europe,America and south Asia,supplying obsolete and hard-to-find components to meet their specific needs.

With the principle of “Quality Parts,Customers Priority,Honest Operation,and Considerate Service”,our business mainly focus on the distribution of electronic components. Line cards we deal with include Microchip,ALPS,ROHM,Xilinx,Pulse,ON,Everlight and Freescale. Main products comprise IC,Modules,Potentiometer,IC Socket,Relay,Connector.Our parts cover such applications as commercial,industrial, and automotives areas.

We are looking forward to setting up business relationship with you and hope to provide you with the best service and solution. Let us make a better world for our industry!



Contact us

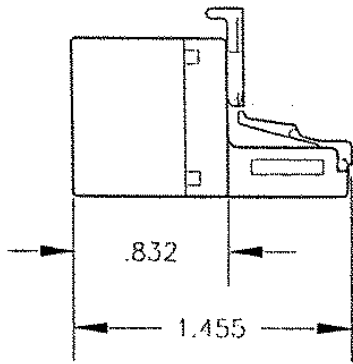
Tel: +86-755-8981 8866 Fax: +86-755-8427 6832

Email & Skype: info@chipsmall.com Web: www.chipsmall.com

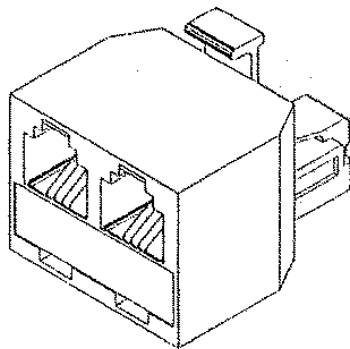
Address: A1208, Overseas Decoration Building, #122 Zhenhua RD., Futian, Shenzhen, China



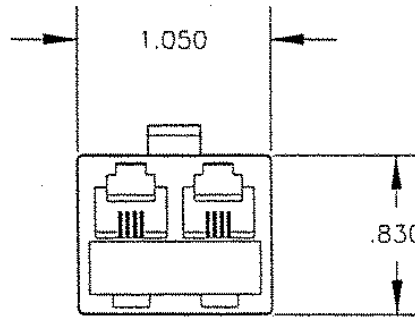
SIDE VIEW



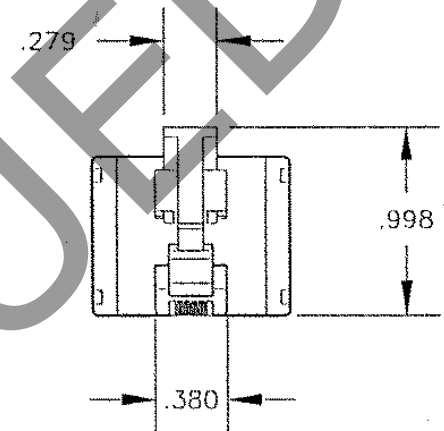
PERSPECTIVE VIEW



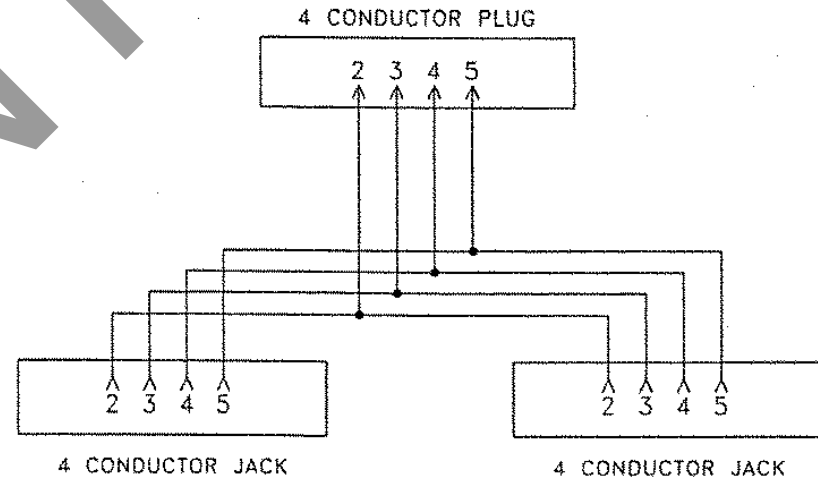
FRONT VIEW



BACK VIEW



WIRING SCHEMATIC



- 1. BLOCK HOUSING : ABS MOLDING COMPOUND
CONTACTS : PHOSPHOR BRONZE, 50 μ INCHES
GOLD OVER NICKEL PLATE
- 2. ALL DIMENSIONS ARE APROXIMATE & SHOULD BE
USED FOR REFERENCE ONLY.
- 3. UL LISTING E136760



DESCRIPTION: MODULAR I-ADAPTER, 6 POSITION 4 CONTACTS

COLOR: LIGHT ASH

MATERIAL: ABS

DWG NO. D.S. 1486

CHK: APRVD: REV.: A

DWG BY: A. MEDINA

DATE: 02-22-2000

DO NOT SCALE

PART NO.:

AMK-0026