



Chipsmall Limited consists of a professional team with an average of over 10 year of expertise in the distribution of electronic components. Based in Hongkong, we have already established firm and mutual-benefit business relationships with customers from,Europe,America and south Asia,supplying obsolete and hard-to-find components to meet their specific needs.

With the principle of “Quality Parts,Customers Priority,Honest Operation,and Considerate Service”,our business mainly focus on the distribution of electronic components. Line cards we deal with include Microchip,ALPS,ROHM,Xilinx,Pulse,ON,Everlight and Freescale. Main products comprise IC,Modules,Potentiometer,IC Socket,Relay,Connector.Our parts cover such applications as commercial,industrial, and automotives areas.

We are looking forward to setting up business relationship with you and hope to provide you with the best service and solution. Let us make a better world for our industry!



Contact us

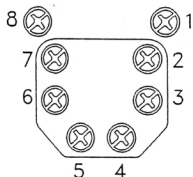
Tel: +86-755-8981 8866 Fax: +86-755-8427 6832

Email & Skype: info@chipsmall.com Web: www.chipsmall.com

Address: A1208, Overseas Decoration Building, #122 Zhenhua RD., Futian, Shenzhen, China



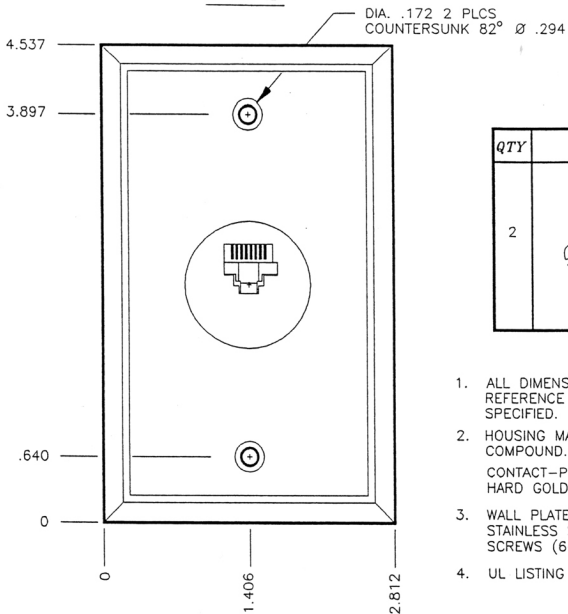
BACK VIEW

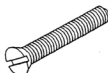


COLOR CODE

1	BLUE
2	ORANGE
3	BLACK
4	RED
5	GREEN
6	YELLOW
7	BROWN
8	WHITE

FRONT VIEW



QTY	MATERIAL
2	

1. ALL DIMENSIONS SHOWN ARE FOR REFERENCE ONLY UNLESS OTHERWISE SPECIFIED.
2. HOUSING MATERIAL: ABS MOLDING COMPOUND.
CONTACT-PLANTING: 15 μ MINIMUM HARD GOLD OVER NICKEL.
3. WALL PLATE FURNISHED WITH TWO, STAINLESS STEEL, PHILLIPS, OVAL HEAD SCREWS (6-32 X 0.875).
4. UL LISTING E136760



DESCRIPTION: SINGLE FLUSH MOUNT WALL PLATE 8PBC, KEYED JACK	APRVD BY:	DWG. NO. D.S. 1136	REV.	DWG. BY: HAI NGUYEN
COLOR: LIGHT ASH				DATE: 05/17/93
MATERIAL:				SCALE: 1
PART NO. : AMK-0062				SHEET 1 OF 1