



Chipsmall Limited consists of a professional team with an average of over 10 year of expertise in the distribution of electronic components. Based in Hongkong, we have already established firm and mutual-benefit business relationships with customers from,Europe,America and south Asia,supplying obsolete and hard-to-find components to meet their specific needs.

With the principle of “Quality Parts,Customers Priority,Honest Operation,and Considerate Service”,our business mainly focus on the distribution of electronic components. Line cards we deal with include Microchip,ALPS,ROHM,Xilinx,Pulse,ON,Everlight and Freescale. Main products comprise IC,Modules,Potentiometer,IC Socket,Relay,Connector.Our parts cover such applications as commercial,industrial, and automotives areas.

We are looking forward to setting up business relationship with you and hope to provide you with the best service and solution. Let us make a better world for our industry!



Contact us

Tel: +86-755-8981 8866 Fax: +86-755-8427 6832

Email & Skype: info@chipsmall.com Web: www.chipsmall.com

Address: A1208, Overseas Decoration Building, #122 Zhenhua RD., Futian, Shenzhen, China



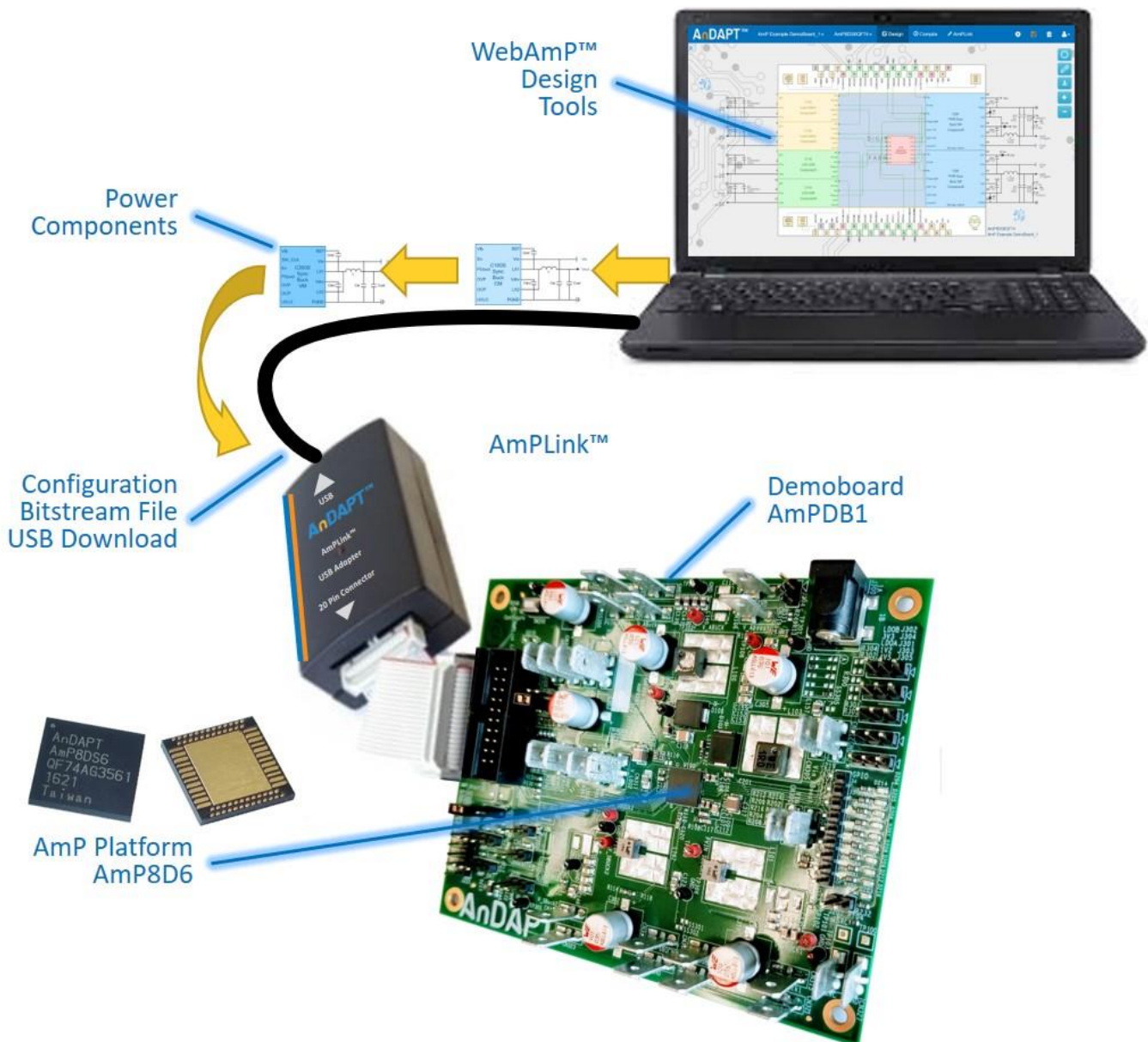
Features

- AmP8DS6QF74 Platform on board
- Demonstrates Power Components:
 - Synchronous Buck
 - Asynchronous Buck
 - Asynchronous Boost
 - LDO
 - Load Switch
 - Supervisor Functions
- Connects to AmPLink™ USB adapter
- WebAmP Tool Downloads Configuration File
 - .HEX file (Intel HEX) to program on board Flash
 - .HAX file to configure AmP device directly

Description

The AmP Demonstration Board enables evaluation of Power Components on the AmP, Adaptive Multi-Rail Power Platform. Power Components are assembled in the WebAmP design tool and compiled into a Configuration Bitstream File. The AmPLink Control program downloads the file over the AmPLink USB adapter to the AmPDB1 Demonstration Board. The .HEX file is used to download to the Flash memory or the .HAX file is used to download directly to the AmP Platform. Synchronous Buck, Async Buck, Async Boost, LDO, Load Switch and Supervisor Power Components may then be evaluated.

Application of Demonstration Board



Getting Started

Step 1.

Set jumper connections to the default configurations as highlighted in green below. Also provided for clarity is a jumper legend on the PCB silkscreen.

For details see: [AmPLink Configuration and Control](#)

Function	Header	Jumper	Operation
Chip Select	J202	2-4	AmPLink to AmP
		1-3	AmPLink to FLASH
		1-2	FLASH to AmP*
Mode	J214	1-2	AmP is MASTER*
		2-3	AmP is SLAVE

*for FLASH to AmP, use AmP is MASTER

Step 2.

Connect power supplies to Vin, Sync Buck1 PVin and GND tab/spade terminal connectors as shown in the figure below. In this example, use Vin = PVIN = 12V.

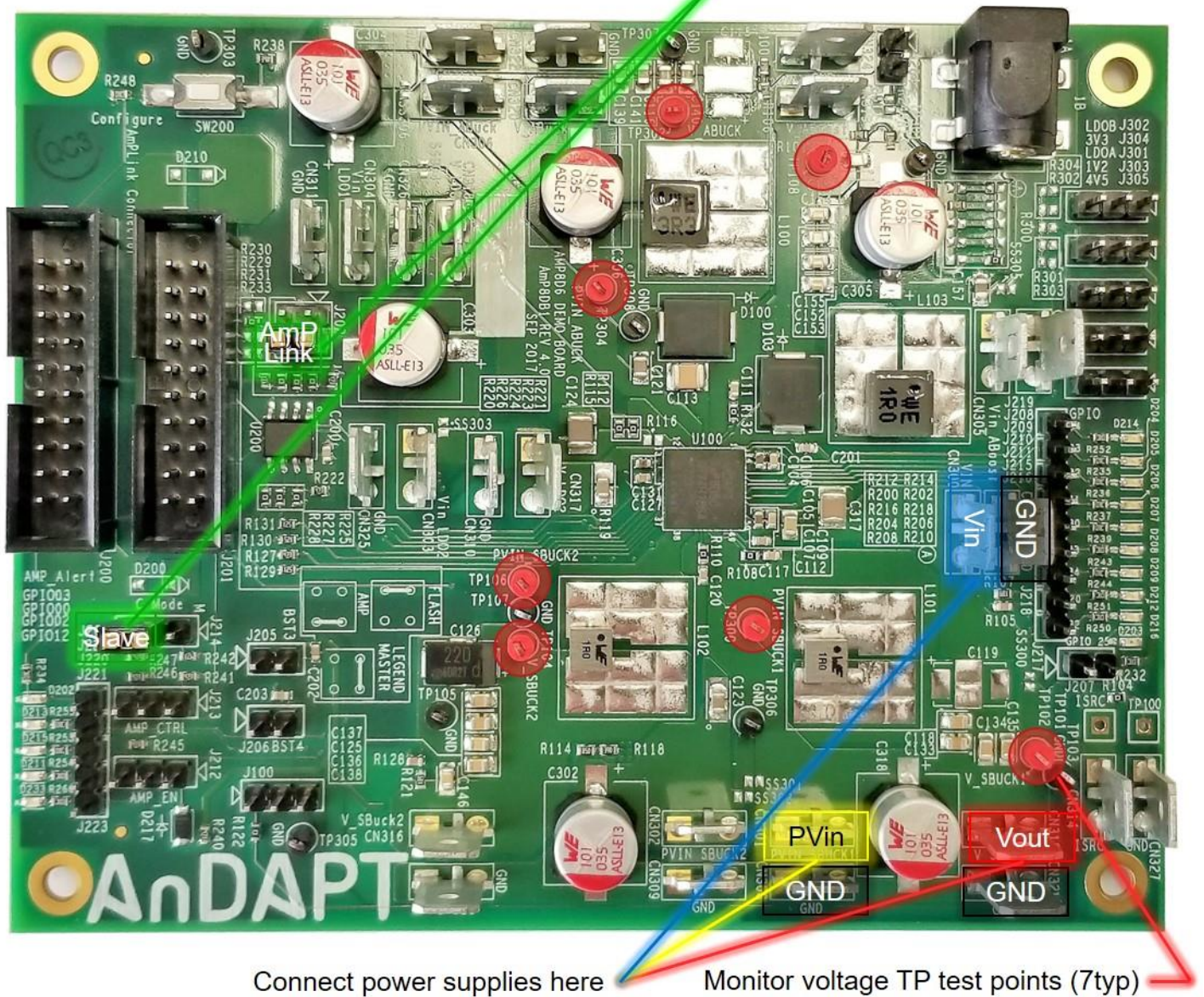
Step 3.

Load WebAmP project, AmP Example Buck x1.json (See WebAmP page 3 & 4), from the Example projects folder, and compile. Connect AmPLink USB cable to computer and AmPLink 20-pin flat ribbon cable to J201 as shown on page 1. From the AmPLink tab, install AmPLink drivers if required, then click Program & Verify. Observe 1.2V on the Vout tab below (Step 4).

See: [Video - Using AmPLink](#)

Power Supply and Jumper Configurations

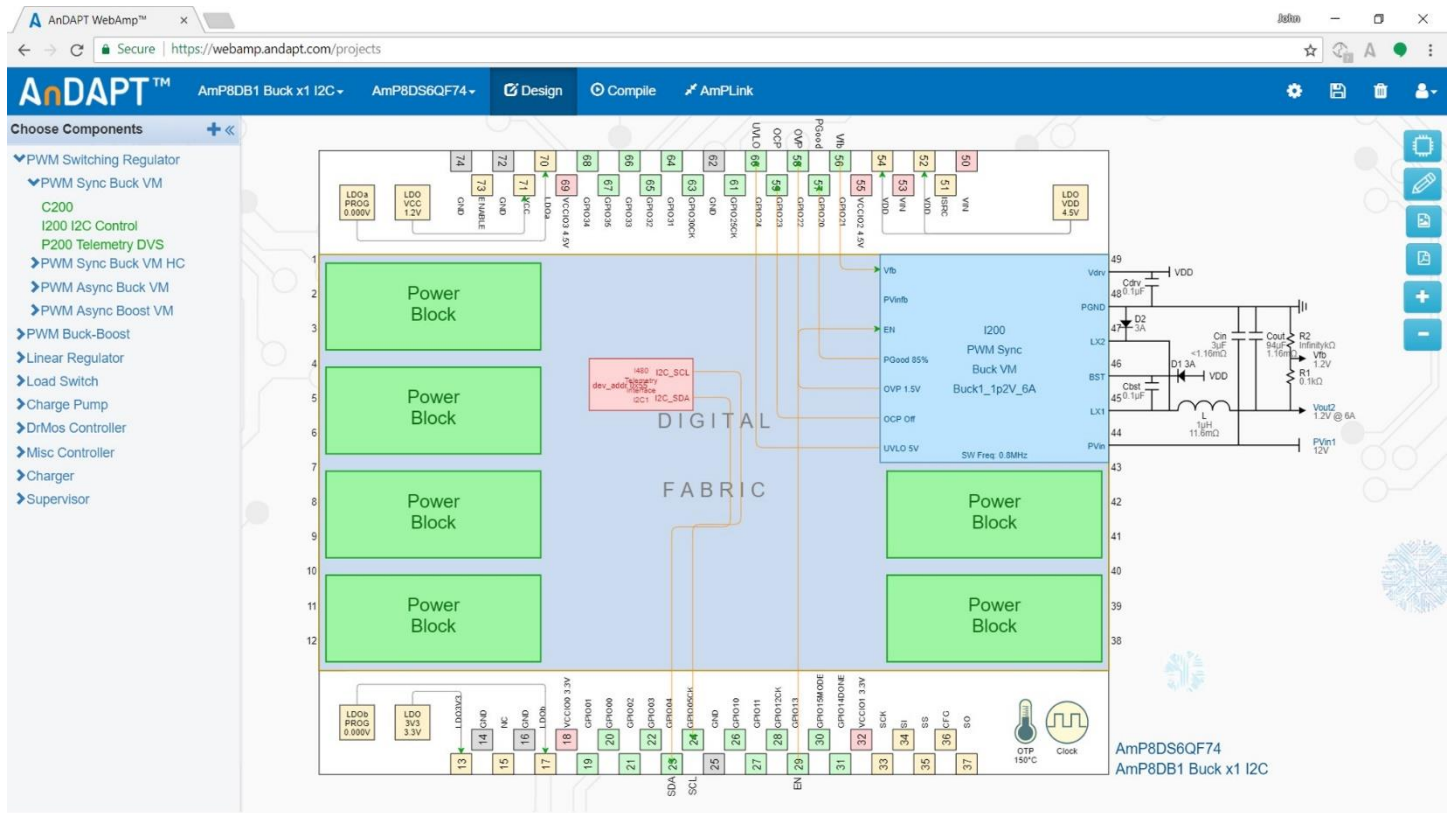
Default Jumper Configuration



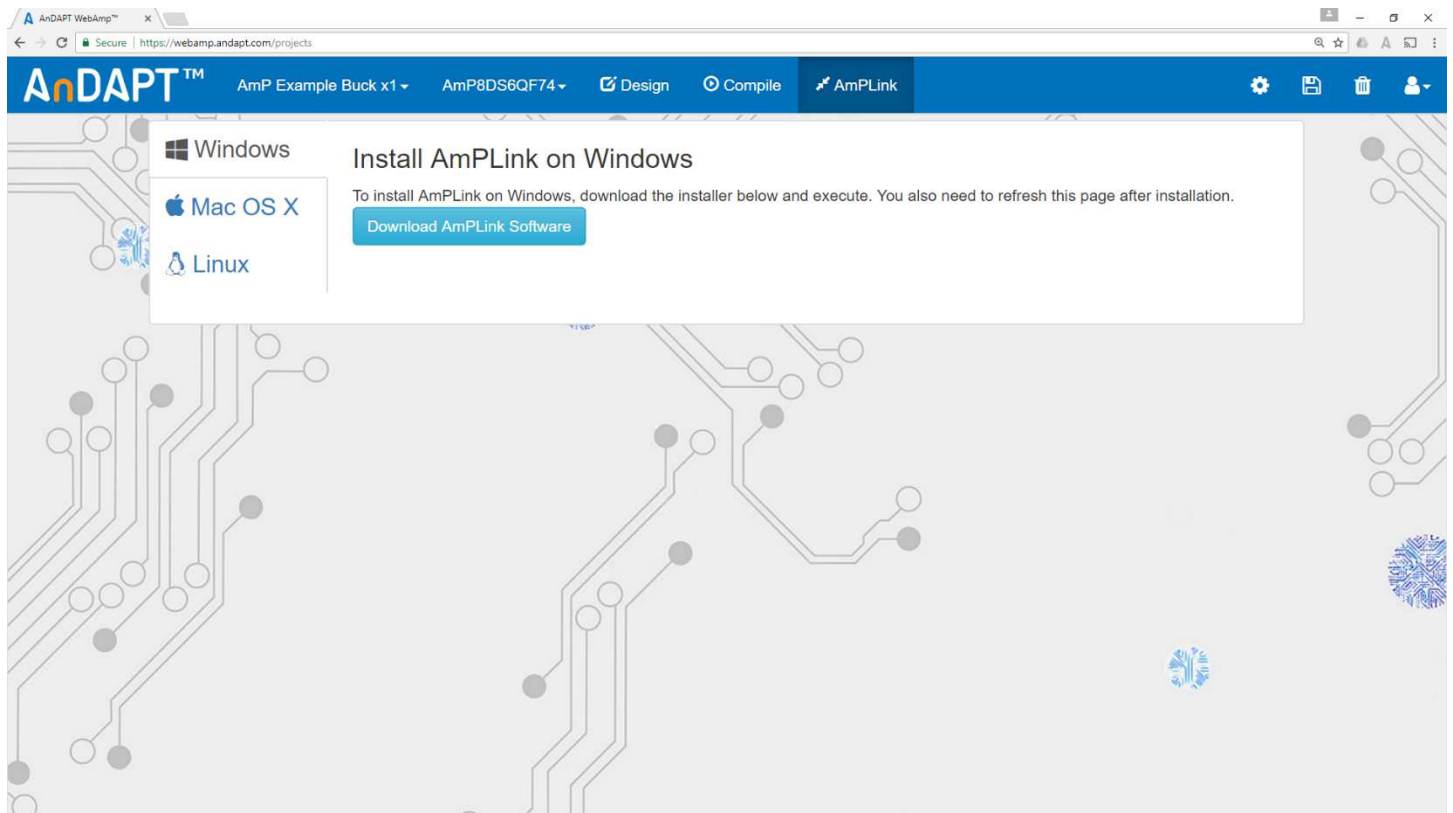
Connect power supplies here

Monitor voltage TP test points (7typ)

Getting Started with WebAmP example project, AmP Example Buck x1 I2C



Getting Started with WebAmP: Install AmPLink

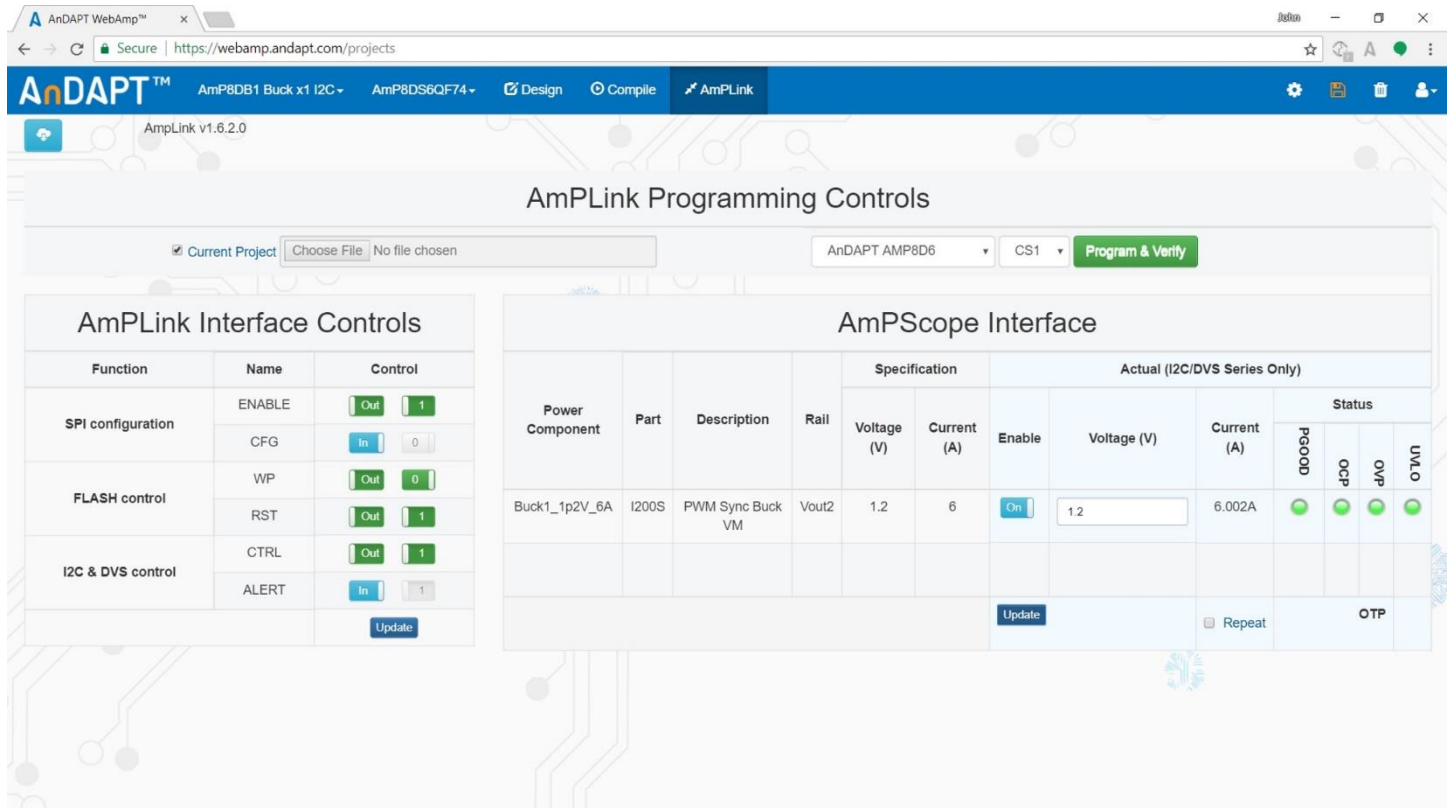


Getting Started with WebAmP: AmPLink Program, Verify & Status

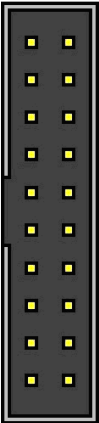
Step 4.

With WebAmP project, AmP Example Buck x1 I2C.json from the Example projects, compile and click AmPLink tab. Connect AmPLink USB cable to computer and AmPLink 20-pin flat ribbon cable to J201 as shown on page 1. From the AmPLink tab shown below, click

Program & Verify. Then click AmPLink Interface Controls CTRL to "1", enabling EN pin GPIO13. Observe 1.2V on the Vout power pin shown on page 2. In the AmPScope Interface window click Update and observe status for PGOOD, OCP, OVP, UVLO (green = pass, red = fail). Also observe the measured output Current. Click checkbox, Repeat, to observe continuous read out of Status and Current.



AmPLink Pin Out

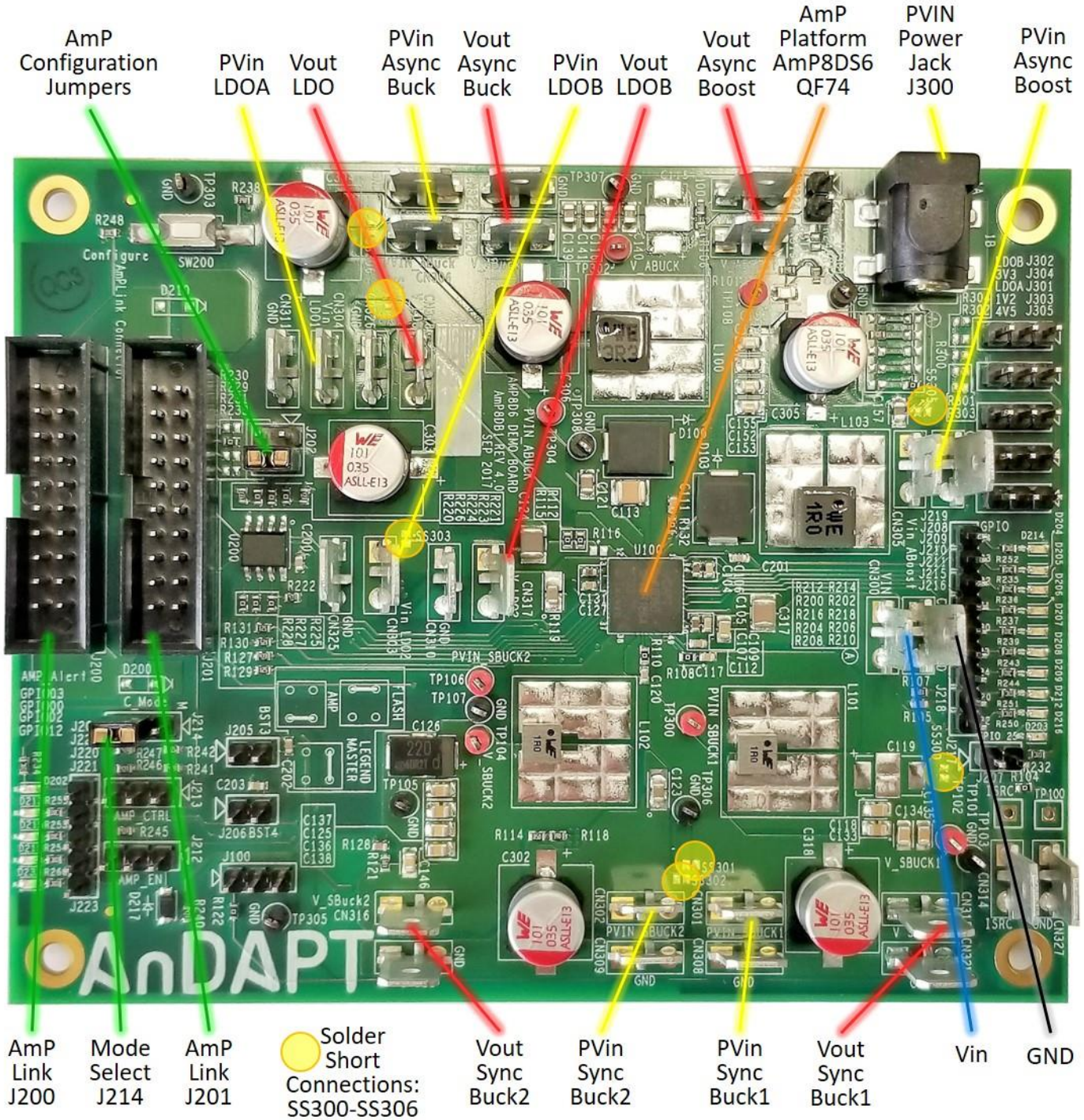
GND – 1		2 – CS2
AMP_SCLK – 3		4 – GND
AMP_SI – 5		6 – CS1
CS3 – 7		8 – CS4
AMP_Config – 9		10 – FLASH_RST
AMP_SO – 11		12 – GND
3.3V – 13		14 – AMP_SCL
FLASH_WP – 15		16 – AMP_SDA
AMP_ALERT – 17		18 – AMP_CTRL
AMP_EN – 19		20 – VBUS

Power Connections

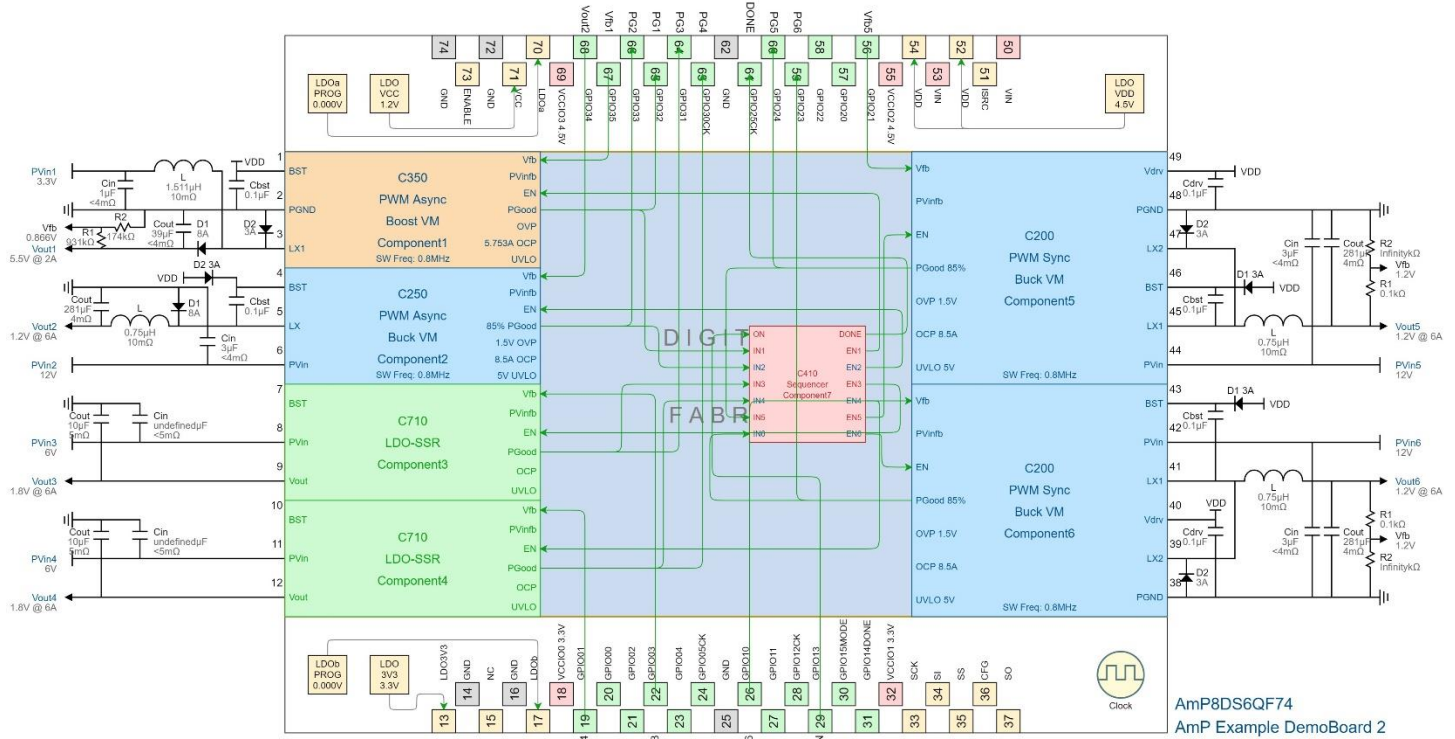
Solder Short connections SS300 to SS306, marked with the yellow circle, can be bridged with solder to reduce external wire connections. SS300 (top side of PCB near Vin) enables connection between the Vin Tab/Spade and the global PVIN, J300, Power Jack. Individual Power Component PVin inputs may be connected to PVIN as shown in the table.

Power Tab/Spade	Connect to PVIN
VIN	SS300
PVIN_SBUck1	SS301
PVIN_SBUck2	SS302
Vin_LDO	SS303
Vin_LDOA	SS304
Vin_Aboost	SS305
PVIN_ABuck	SS306

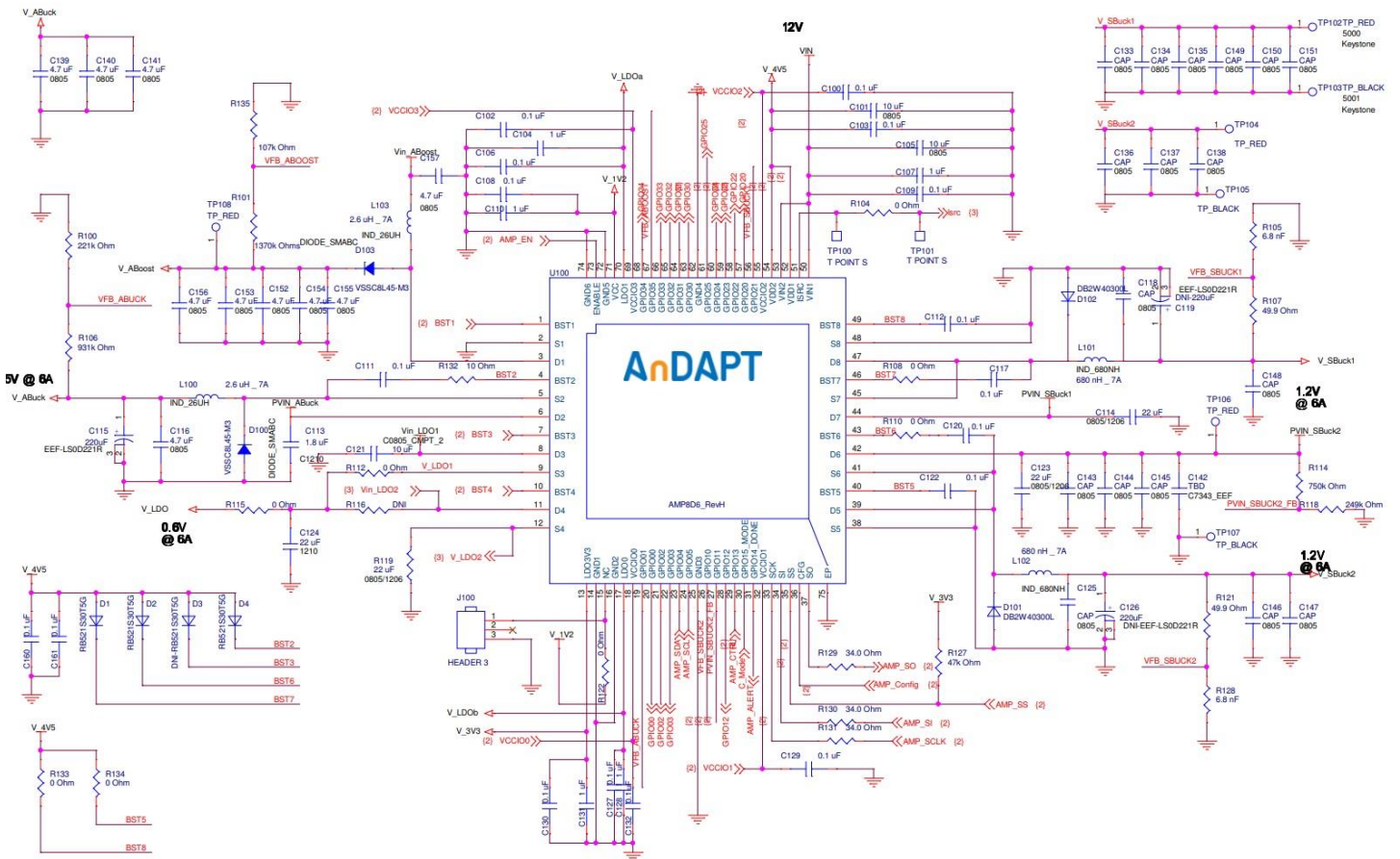
Power Connections: Demonstration Board AmPDB1

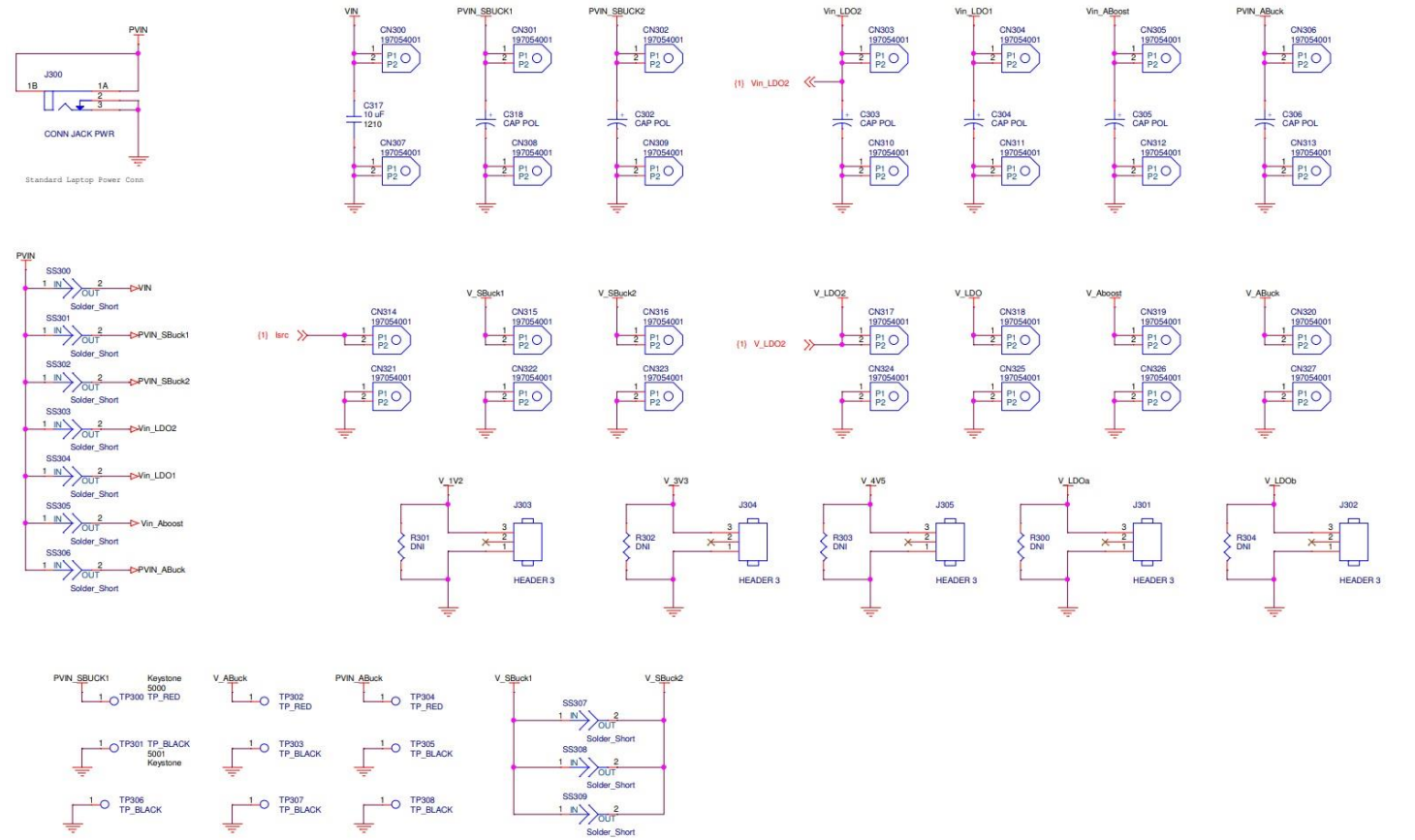
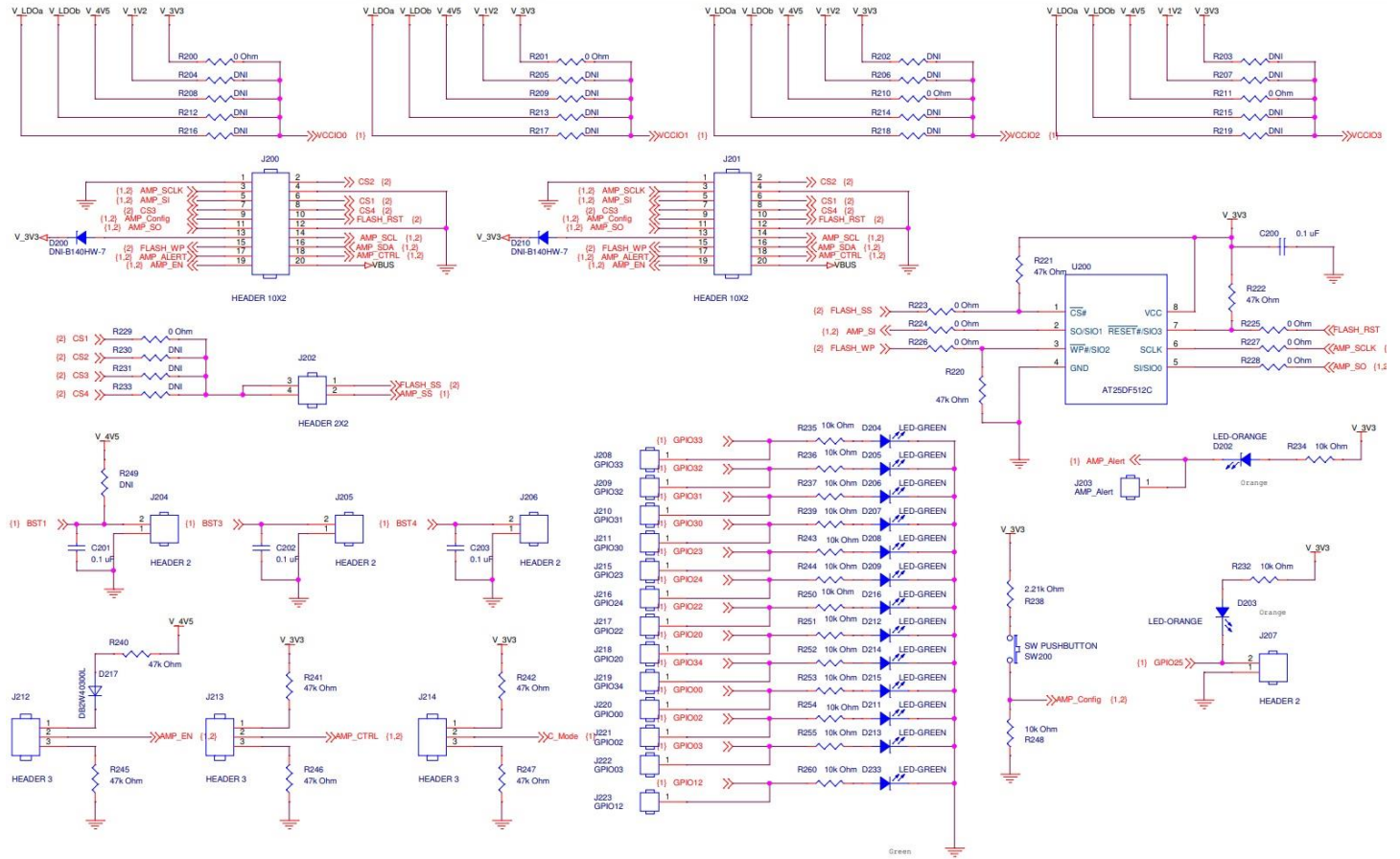


WebAmP Design: AmP Example DemoBoard



Demonstration Board AmPDB1 Schematics





Additional Resources

- [AmP Platform Datasheet](#)
- [AmPLink USB Adapter Datasheet](#)
- [AmPLink Configuration and Control](#)
- [Video - WebAmP Development Software](#)
- [Video - Using AmPLink](#)
- Power Components Datasheets

Revision History

Date	Revision
4/27/2018	Added I2C to Buck example enabling read status and current
3/14/2018	Revised PCB Photos and Schematic to REV 4.0
8/7/2017	Update, added Getting Started
8/1/2016	Initial



Trademarks

© 2017-2018 AnDAPT, the AnDAPT logo, AmP, WebAmP, AmPLink, AmPSCOPE and other designated brands included herein are trademarks of AnDAPT in the United States and other countries. All other trademarks are the property of their respective owners.