



Chipsmall Limited consists of a professional team with an average of over 10 year of expertise in the distribution of electronic components. Based in Hongkong, we have already established firm and mutual-benefit business relationships with customers from,Europe,America and south Asia,supplying obsolete and hard-to-find components to meet their specific needs.

With the principle of “Quality Parts,Customers Priority,Honest Operation,and Considerate Service”,our business mainly focus on the distribution of electronic components. Line cards we deal with include Microchip,ALPS,ROHM,Xilinx,Pulse,ON,Everlight and Freescale. Main products comprise IC,Modules,Potentiometer,IC Socket,Relay,Connector.Our parts cover such applications as commercial,industrial, and automotives areas.

We are looking forward to setting up business relationship with you and hope to provide you with the best service and solution. Let us make a better world for our industry!



## Contact us

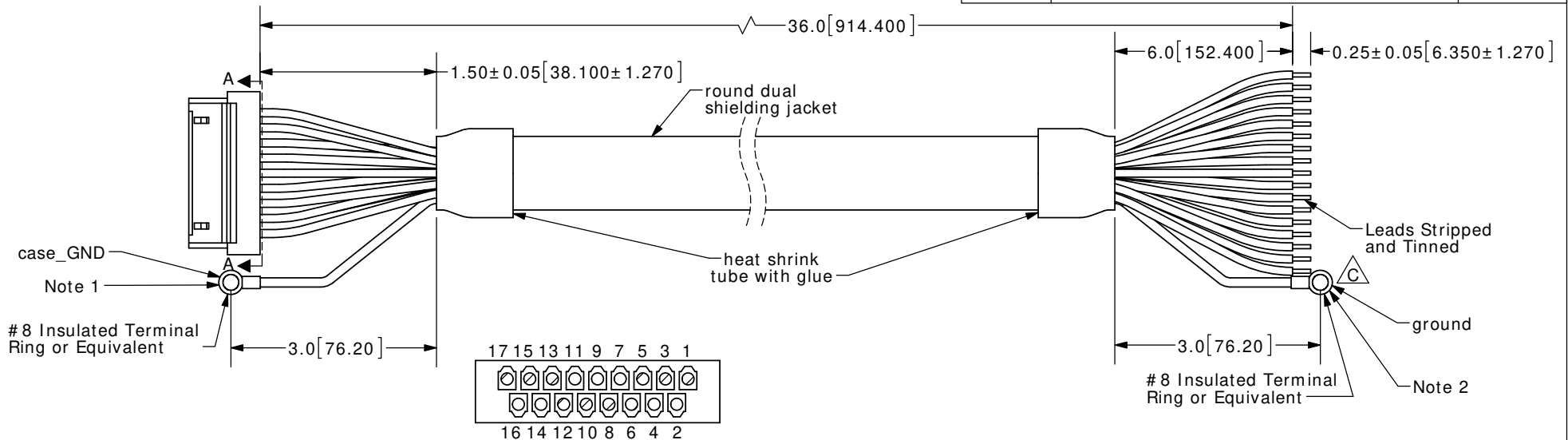
Tel: +86-755-8981 8866 Fax: +86-755-8427 6832

Email & Skype: info@chipsmall.com Web: www.chipsmall.com

Address: A1208, Overseas Decoration Building, #122 Zhenhua RD., Futian, Shenzhen, China

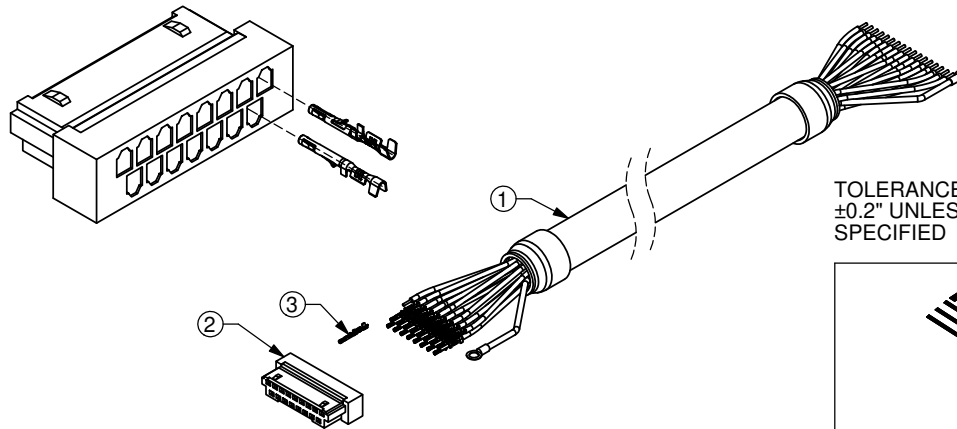


REV.	DESCRIPTION	DATE
A	NEW DRAWING	6/10/2013
B	cable length changed, part# changed	7/29/2013
C	added ground wire to unterminated end	3/4/2014



SECTION A-A  
SCALE 3 : 1  
(Back of Connector Housing)

Connector Pinout			
#	Function	Color	
		Primary	Stripe
1	TX_ENC+	Green	Red
2	RX_ENC+	Blue	Red
3	U+	Brown	Black
4	GND	Black	Red
5	W+	Orange	Black
6	+5V	Red	Black
7	V+	Red	White
8	B+	Green	Black
9	B-	Black	Green
10	A+	White	Black
11	A-	Black	White
12	Z+	Blue	Black
13	Z-	Black	Blue
14	MCLR	Yellow	Black
15	W-	Black	Orange
16	V-	White	Red
17	U-	Black	Brown



NOTES 1: case\_GND is connected internally to GND (black/red)  
2: ground connected internally to cable shielding

TOLERANCE:  
±0.2" UNLESS OTHERWISE  
SPECIFIED



20050 SW 112th Ave.  
Tualatin, OR 97062  
Phone: 503-612-2300  
800-275-4899  
Fax: 503-612-2383  
Website: www.cui.com

ITEM NO:	977-7012R	REV:	C
PART NO:	AMT-17C-1-036	UNITS:	INCHES [MM]
DRAWN BY:	RDS	APPROVED BY:	
SCALE:			

	Part	QTY	Part#
1	Cable	1	3M 3600B/20
2	Connector	1	JAE FI-W17S
3	Crimp Pins	17	JAE FI-C3-A1-15000

PC FILE NAME:  
AMT-17C-1-036

COPYRIGHT 2013 BY CUI INC.