



Chipsmall Limited consists of a professional team with an average of over 10 year of expertise in the distribution of electronic components. Based in Hongkong, we have already established firm and mutual-benefit business relationships with customers from,Europe,America and south Asia,supplying obsolete and hard-to-find components to meet their specific needs.

With the principle of “Quality Parts,Customers Priority,Honest Operation,and Considerate Service”,our business mainly focus on the distribution of electronic components. Line cards we deal with include Microchip,ALPS,ROHM,Xilinx,Pulse,ON,Everlight and Freescale. Main products comprise IC,Modules,Potentiometer,IC Socket,Relay,Connector.Our parts cover such applications as commercial,industrial, and automotives areas.

We are looking forward to setting up business relationship with you and hope to provide you with the best service and solution. Let us make a better world for our industry!



Contact us

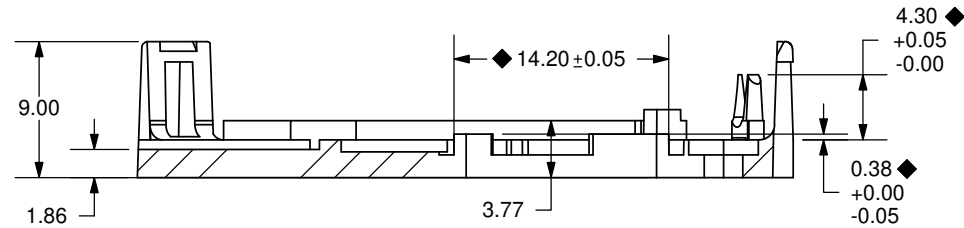
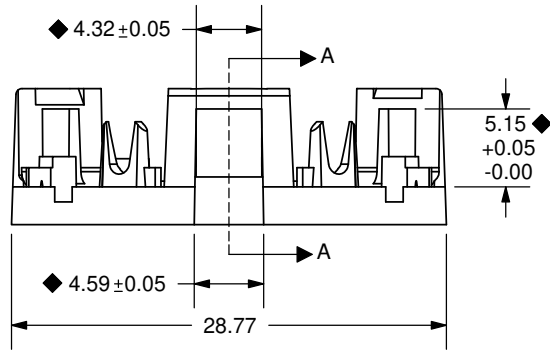
Tel: +86-755-8981 8866 Fax: +86-755-8427 6832

Email & Skype: info@chipsmall.com Web: www.chipsmall.com

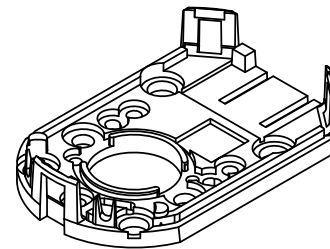
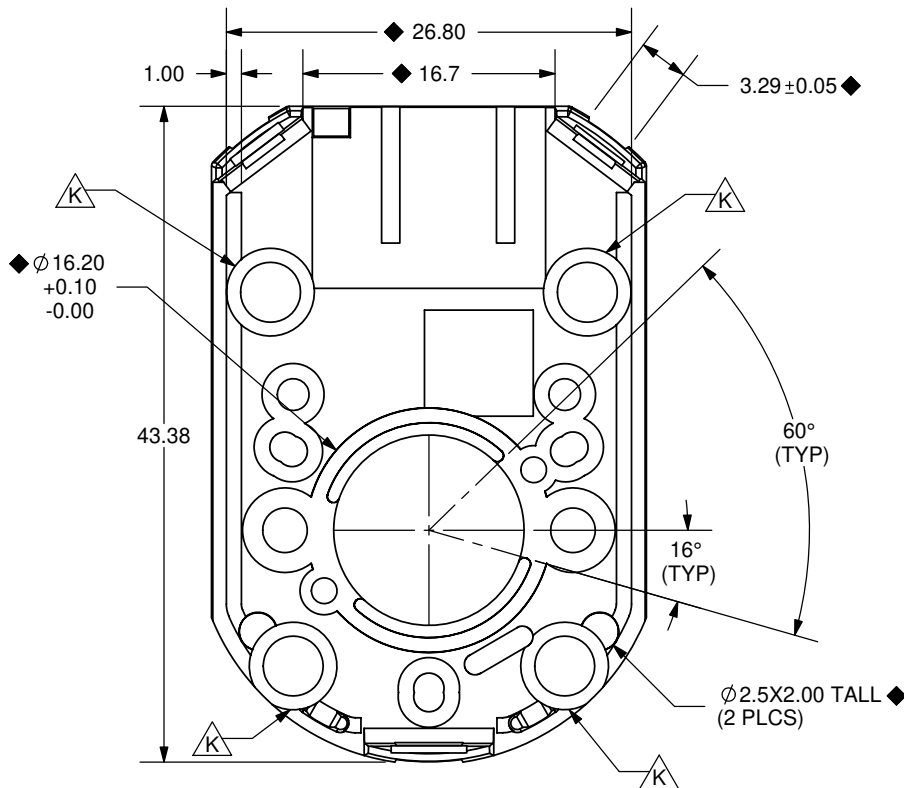
Address: A1208, Overseas Decoration Building, #122 Zhenhua RD., Futian, Shenzhen, China



REV.	DESCRIPTION	DATE
F	Hole diameter increased to 2.95 from 2.87	1/23/2006
G	Receiver hold down post increased to 4.30 from 4.15	3/22/2006
H	Hole diameter decreased to 12.1 from 12.4	4/3/2006
J	Hole diameter increased to 12.6, flange modified	10/24/2006
K	Mounting holes changed to $\varnothing 3.96$ THRU ALL, $\varnothing 5.79$ $\nabla 1.02$	9/4/2015



SECTION A-A



SCALE 1:1

SEE PAGE 2 FOR HOLE LAYOUT

NOTES:
◆ CRITICAL DIMENSIONS FOR INSPECTION

DRAFTS ACCORDING TO 3D CAD MODEL

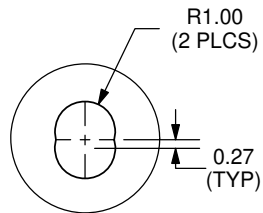
TOLERANCE: ±0.1mm UNLESS NOTED



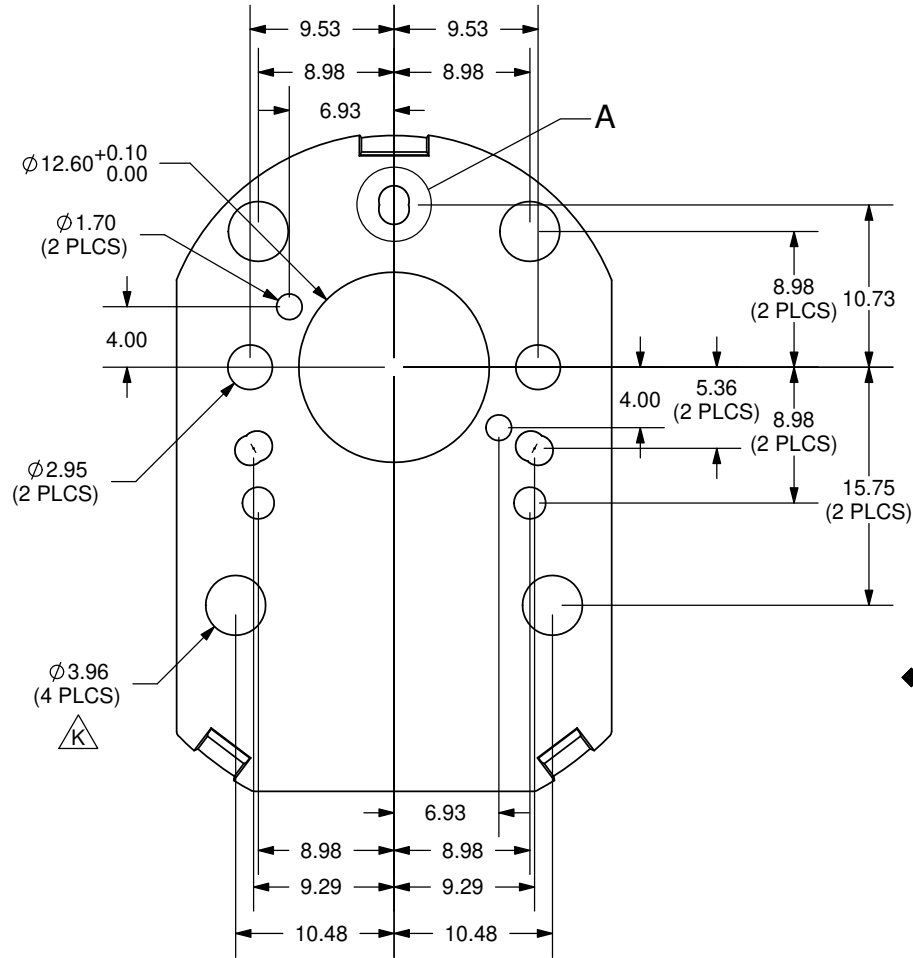
20050 SW 112th Ave.
Tualatin, OR 97062
Phone: 503-612-2300
800-275-4899
Fax: 503-612-2383
Website: www.cui.com

TITLE: AMT 102 BASE		REV: K
PART NO. 1245-0003R		UNITS: MM [INCHES]
DRAWN BY: RDS	APPROVED BY:	SCALE: 2:1

REV.	DESCRIPTION	DATE
F	Hole diameter increased to 2.95 from 2.87	1/23/2006
G	Receiver hold down post increased to 4.30 from 4.15	3/22/2006
H	Hole diameter decreased to 12.1 from 12.4	4/3/2006
J	Hole diameter increased to 12.6, flange modified	10/24/2006
K	Mounting holes changed to $\varnothing 3.96$ THRU ALL, $\square \varnothing 5.79 \nabla 1.02$	9/4/2015



DETAIL A
SCALE 4 : 1



NOTES:
♦ CRITICAL DIMENSIONS FOR INSPECTION

DRAFTS ACCORDING TO 3D CAD MODEL

TOLERANCE: $\pm 0.1\text{mm}$ UNLESS NOTED



20050 SW 112th Ave.
Tualatin, OR 97062
Phone: 503-612-2300
800-275-4899
Fax: 503-612-2383
Website: www.cui.com

TITLE: AMT 102 BASE, SHEET 2, HOLE LAYOUT		REV: K
PART NO. 1245-0003R	UNITS: MM [INCHES]	
DRAWN BY: RDS	APPROVED BY:	SCALE: 2:1