



Chipsmall Limited consists of a professional team with an average of over 10 year of expertise in the distribution of electronic components. Based in Hongkong, we have already established firm and mutual-benefit business relationships with customers from,Europe,America and south Asia,supplying obsolete and hard-to-find components to meet their specific needs.

With the principle of “Quality Parts,Customers Priority,Honest Operation,and Considerate Service”,our business mainly focus on the distribution of electronic components. Line cards we deal with include Microchip,ALPS,ROHM,Xilinx,Pulse,ON,Everlight and Freescale. Main products comprise IC,Modules,Potentiometer,IC Socket,Relay,Connector.Our parts cover such applications as commercial,industrial, and automotives areas.

We are looking forward to setting up business relationship with you and hope to provide you with the best service and solution. Let us make a better world for our industry!



## Contact us

Tel: +86-755-8981 8866 Fax: +86-755-8427 6832

Email & Skype: info@chipsmall.com Web: www.chipsmall.com

Address: A1208, Overseas Decoration Building, #122 Zhenhua RD., Futian, Shenzhen, China

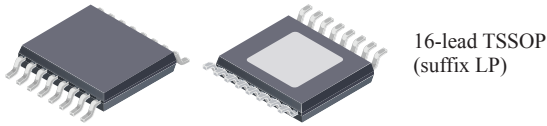


## Dual DMOS Full-Bridge Motor Driver

### FEATURES AND BENEFITS

- AEC-Q100 Grade 1 qualified
- Wide, 3.5 to 15 V input voltage operating range
- Dual DMOS full-bridges: drive two DC motors or one stepper motor
- Low  $R_{DS(ON)}$  outputs
- Synchronous rectification for reduced power dissipation
- Low-current sleep mode
- Overcurrent protection
- Internal UVLO and thermal shutdown circuitry
- Integrated charge pump

### PACKAGE:



Not to scale

### DESCRIPTION

Designed for pulse-width-modulated (PWM) control of low-voltage stepper motors and single and dual DC motors, the AMT49702 is capable of output currents up to 1 A per channel and operating voltages from 3.5 to 15 V.

The AMT49702 is an automotive-grade device and is tested across extended temperature and voltage ranges to ensure compliance in automotive or industrial applications.

The AMT49702 has an internal fixed off-time PWM timer that sets a peak current based on the selection of a current sense resistor. An output fault flag is provided that notifies the user of a TSD or overcurrent protection event.

The AMT49702 is supplied in a low-profile 16-lead TSSOP (suffix “LP”) with exposed power tab for enhanced thermal dissipation.

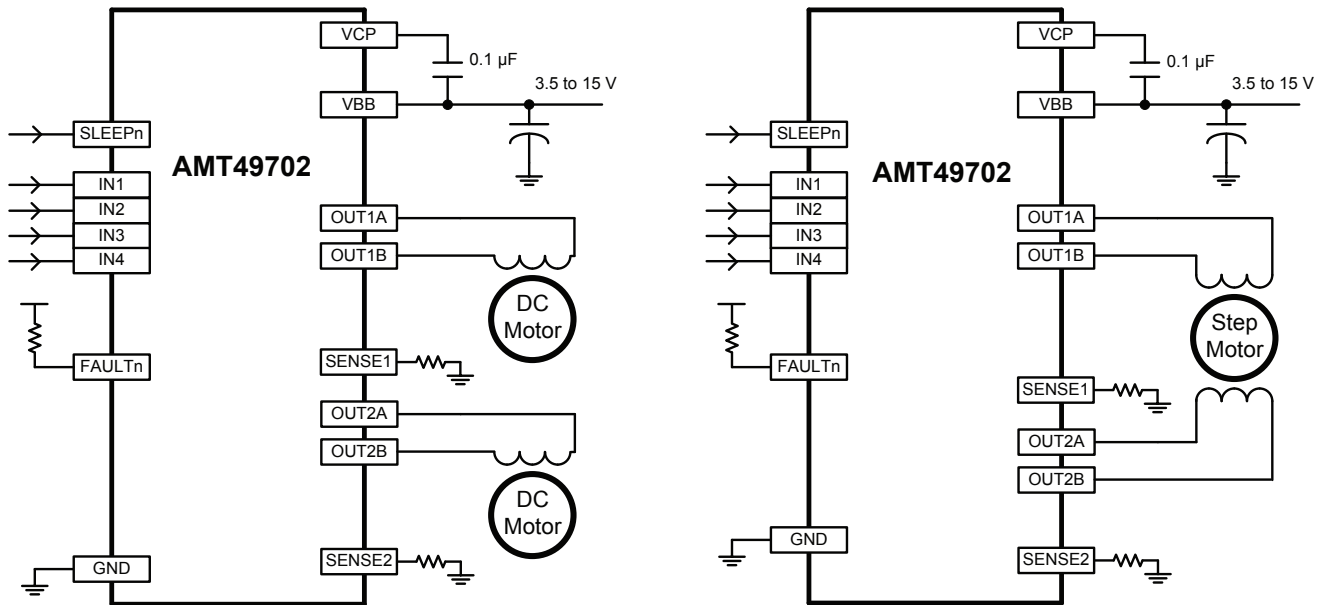


Figure 1: Typical Applications

## SPECIFICATIONS

### SELECTION GUIDE

Part Number	Packaging	Packing
AMT49702KLPATR	16-lead TSSOP package	4000 pieces per 13-inch reel



### ABSOLUTE MAXIMUM RATINGS

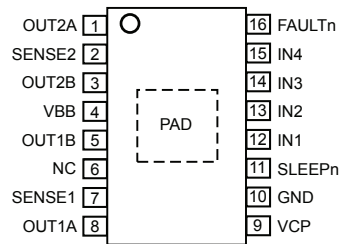
Characteristic	Symbol	Notes	Rating	Unit
Supply Voltage	$V_{BB}$		15	V
Output Current	$I_{OUT}$	Continuous	1.0	A
Output Current (parallel mode)	$I_{OUT(PAR)}$	Continuous	1.8	A
Sense Voltage	$V_{SENSEx}$	Continuous	0.5	V
		Pulsed, $t_w < 1 \mu s$	2.5	V
Logic Input Voltage Range	$V_{IO}$		-0.3 to 5.5	V
Junction Temperature	$T_{J(MAX)}$		150	°C
Storage Temperature Range	$T_{stg}$		-55 to 150	°C
Operating Temperature Range	$T_A$	Range K	-40 to 125	°C

### THERMAL CHARACTERISTICS: May require derating at maximum conditions; see application information

Characteristic	Symbol	Test Conditions*	Value	Unit
LP package, 16-lead TSSOP	$R_{\theta JA}$	4-layer PCB based on JEDEC standard	34	°C/W

\*Additional thermal information available on the Allegro website.

## PINOUT DIAGRAMS AND TERMINAL LIST TABLE

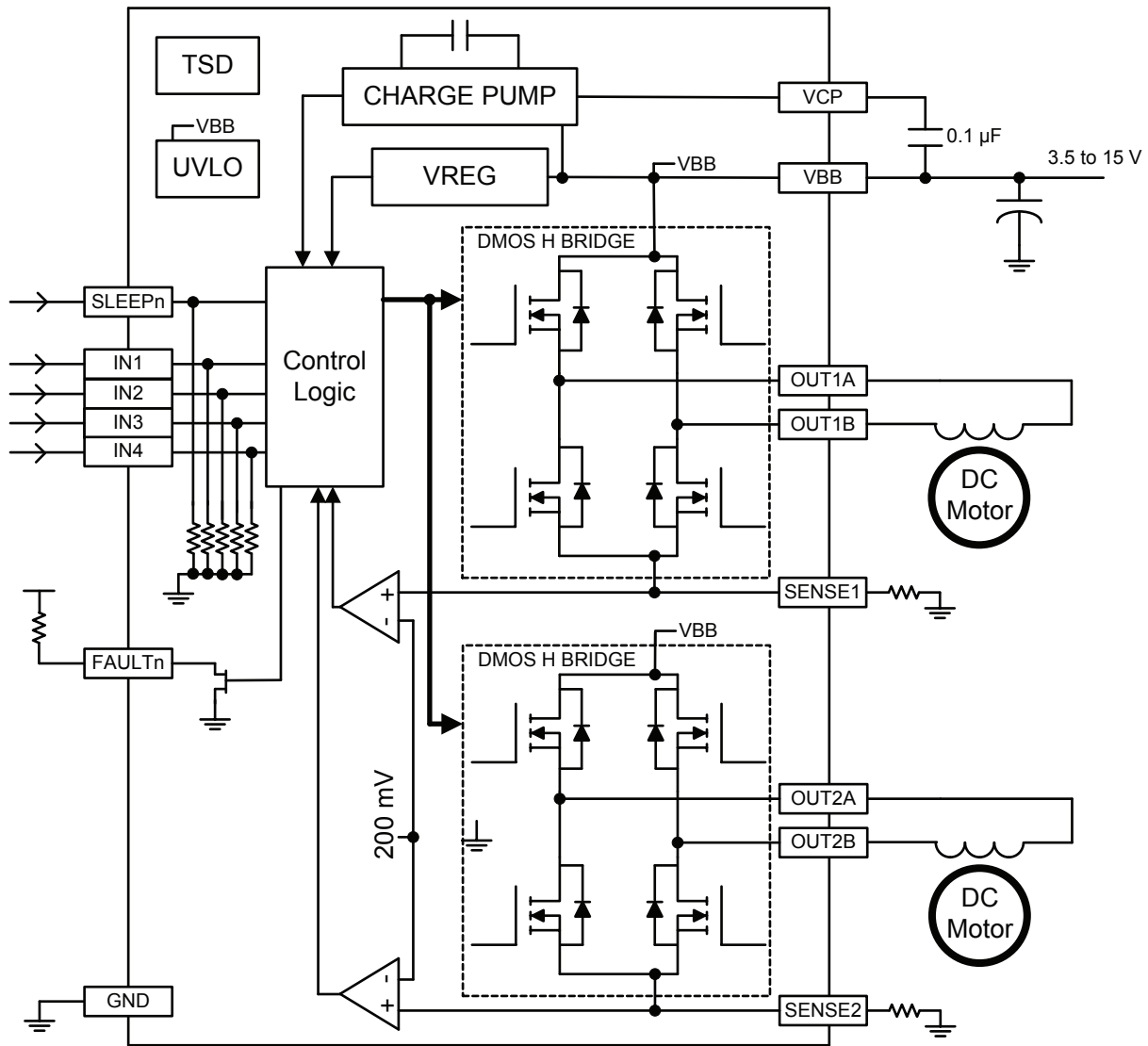


### 16-Lead TSSOP (LP) Package

Terminal List Table

Number	Name	Function
LP		
10	GND	Ground
11	SLEEPn	Active-Low Sleep Input
12	IN1	Control Input
13	IN2	Control Input
14	IN3	Control Input
15	IN4	Control Input
16	FAULTn	Open-Drain Logic Output
1	OUT2A	DMOS H-Bridge 2, Output A
2	SENSE2	Sense Resistor Terminal, Bridge 2
3	OUT2B	DMOS H-Bridge 2, Output B
4	VBB	Motor Supply Voltage
5	OUT1B	DMOS H-Bridge 1, Output B
7	SENSE1	Sense Resistor Terminal, Bridge 1
8	OUT1A	DMOS H-Bridge 1, Output A
9	VCP	Charge Pump Capacitor
6	NC	No Internal Connection
-	PAD	Exposed Pad for Enhanced Thermal Performance

FUNCTIONAL BLOCK DIAGRAM



## ELECTRICAL CHARACTERISTICS [1][2]: Valid at $T_J = -40^{\circ}\text{C}$ to $125^{\circ}\text{C}$ , $V_{BB} = 3.5$ to $15$ V, unless noted otherwise

Characteristics	Symbol	Test Conditions	Min.	Typ.	Max.	Unit
<b>GENERAL</b>						
Load Supply Voltage Range	$V_{BB}$	Operating	3.5	–	15	V
Output On Resistance	$R_{DS(ON,HS)}$	$T_J = 25^{\circ}\text{C}$ , 500 mA	–	335	450	m $\Omega$
		$T_J = 125^{\circ}\text{C}$ , 500 mA	–	550	690	m $\Omega$
	$R_{DS(ON,LS)}$	$T_J = 25^{\circ}\text{C}$ , 500 mA	–	375	525	m $\Omega$
		$T_J = 125^{\circ}\text{C}$ , 500 mA	–	575	750	m $\Omega$
Diode Forward Voltage	$V_F$	$I = 500$ mA	–	0.85	1.0	V
VBB Supply Current	$I_{BB(2p7V)}$	Outputs disabled, $V_{BB} = 3.5$ V	–	2.2	4.5	mA
	$I_{BB(15V)}$	Outputs disabled, $V_{BB} = 15$ V	–	3.1	4.5	mA
	$I_{BB(SLEEP)}$	Sleep Mode; $T_J = 25^{\circ}\text{C}$	–	–	0.5	$\mu\text{A}$
		Sleep Mode; $T_J = 125^{\circ}\text{C}$	–	–	10	$\mu\text{A}$
<b>CONTROL LOGIC</b>						
Logic Input Voltage, INx	$V_{IN(1)}$		2.0	–	–	V
	$V_{IN(0)}$		–	–	0.8	V
Logic Input Hysteresis, INx	$V_{HYS}$		100	–	500	mV
Logic Input Voltage, SLEEPn	$V_{IN(1)}$		2.0	–	–	V
	$V_{IN(0)}$		–	–	0.4	V
Logic Input Hysteresis, SLEEPn	$V_{HYS}$		100	–	–	mV
Logic Input Current	$I_{IN}$	$V_{IN} = 3.3$ V, pulldown = 100 k $\Omega$	–	33	50	$\mu\text{A}$
Fault Output Voltage	$V_{FAULTn}$	Flag asserted, $I_{FAULTn} = 1$ mA	–	–	200	mV
Fault Output Leakage Current	$I_{FAULTn}$	$V_{FAULTn} = 5$ V	–	–	1.0	$\mu\text{A}$
$V_{SENSE}$ Blank Time	$t_{BLANK}$	$T_J = 25^{\circ}\text{C}$ to $125^{\circ}\text{C}$	2.1	3.1	4.1	$\mu\text{s}$
		$T_J = -40^{\circ}\text{C}$	1.5	3.1	4.5	$\mu\text{s}$
$V_{SENSE}$ Trip Voltage	$V_{TRIP}$		170	205	240	mV
Fixed Off-Time	$t_{OFF}$		20	30	40	$\mu\text{s}$
<b>PROTECTION CIRCUITS</b>						
Crossover Delay	$t_{OCD}$		200	550	1000	ns
VBB Undervoltage Lockout	$V_{BB(UVLO)}$	$V_{BB}$ rising	–	2.55	2.65	V
VBB Hysteresis	$V_{BB(UVLO,HYS)}$		–	125	–	V
Thermal Shutdown Temperature	$T_{J1}$		150	165	180	$^{\circ}\text{C}$
Thermal Shutdown Hysteresis	$\Delta T_{J1}$		–	20	–	$^{\circ}\text{C}$

[1] Typical data is for design information only.

[2] Specified limits are tested at a single temperature and assured over operating temperature range by design and characterization.

## CONTROL LOGIC

**Table 1: DC Motor Operation**

IN1	IN2	OUT1A	OUT1B	Function
0	0	Off	Off	Disabled
1	0	High	Low	Forward
0	1	Low	High	Reverse
1	1	Low	Low	Brake

IN3	IN4	OUT2A	OUT2B	Function
0	0	Off	Off	Disabled
1	0	High	Low	Forward
0	1	Low	High	Reverse
1	1	Low	Low	Brake

**Table 2: Stepper Motor Operation**

IN1	IN2	IN3	IN4	OUT1A	OUT1B	OUT2A	OUT2B	Function	
0	0	0	0	Off	Off	Off	Off	Disabled	Disabled
1	0	1	0	High	Low	High	Low	Full Step 1	½ Step 1
0	0	1	0	Off	Off	High	Low	–	½ Step 2
0	1	1	0	Low	High	High	Low	Full Step 2	½ Step 3
0	1	0	0	Low	High	Off	Off	–	½ Step 4
0	1	0	1	Low	High	Low	High	Full Step 3	½ Step 5
0	0	0	1	Off	Off	Low	High	–	½ Step 6
1	0	0	1	High	Low	Low	High	Full Step 4	½ Step 7
1	0	0	0	High	Low	Off	Off	–	½ Step 8

## FUNCTIONAL DESCRIPTION

### Device Operation

The AMT49702 is a dual full-bridge motor driver capable of operating one stepper motor, two DC motors, or one high-current DC motor. MOSFET output stages substantially reduce the voltage drop and the power dissipation of the AMT49702 outputs, compared to typical drivers with bipolar transistors.

Output current can be regulated by pulse-width modulating (PWM) the inputs. In addition to supporting external PWM of the driver, the AMT49702 limits the peak current by internally PWMing the source driver when the current in the winding exceeds the peak current, as determined by a sense resistor. If internal current limiting is not needed, the sense pin should be shorted to ground.

Internal circuit protection includes thermal shutdown with hysteresis, undervoltage lockout, internal clamp diodes, crossover current protection, and overcurrent protection.

### External PWM

Output current regulation can be achieved by pulse-width modulating the inputs. Slow decay mode is selected by holding one input high while PWMing the other input. Holding one input low and PWMing the other input results in fast decay.

### Blanking

This function blanks the output of the current sense comparator when the outputs are switched. The comparator output is blanked to prevent false overcurrent detections due to reverse recovery currents of the clamp diodes or to switching transients related to the capacitance of the load. The blank time,  $t_{BLANK}$ , is approximately 3  $\mu$ s.

### Sleep Mode

An active-low control input used to minimize power consumption when the AMT49702 is not in use. This disables much of the internal circuitry including the output drivers, internal regulator, and charge pump. A logic high allows normal operation. When coming out of sleep mode, wait 1.5 ms before issuing a command to allow the internal regulator and charge pump to stabilize.

### Enable

When all logic inputs are pulled to logic low, the outputs of the bridges are disabled. The charge pump and internal circuitry continue to run when the outputs are disabled.

### Thermal Shutdown

The AMT49702 will disable the outputs if the junction temperature reaches 165°C. When the junction temperature drops 20°C, the outputs will be enabled.

### Brake Mode

When driving DC motors, the AMT49702 goes into brake mode (turns on both sink drivers) when both of its inputs are high (IN1 and IN2, or IN3 and IN4). There is no current limiting during braking, so care must be taken to ensure that the peak current during braking does not exceed the absolute maximum current.

### Internal PWM Current Control

Each full-bridge is controlled by a fixed off-time PWM current control circuit that limits the load current to a desired value,  $I_{TRIP}$ . Initially, a diagonal pair of source and sink DMOS outputs are enabled and current flows through the motor winding and the current sense resistor,  $R_{SENSEx}$ . When the voltage across  $R_{SENSEx}$  equals the internal reference voltage, the current sense comparator resets the PWM latch, which turns off the source driver.

The maximum value of current limiting,  $I_{TRIP(max)}$ , is set by the selection of the sense resistor,  $R_{SENSEx}$ , and is approximated by a transconductance function:

$$I_{TRIP(max)} = 0.2 \div R_{SENSEx}$$

It is critical to ensure the maximum rating on SENSEx pins (0.5 V) is not exceeded.

### Synchronous Rectification

When a PWM off-cycle is triggered by an internal fixed off-time cycle, load current recirculates in slow decay SR mode. During slow decay, current recirculates through the sink-side FET and the sink-side body diode. The SR feature enables the sink-side FET, effectively shorting out the body diode. The sink driver is



not enabled until the source driver is turned off and the cross-over delay has expired. This feature helps lower the voltage drop during current recirculation, lowering power dissipation in the bridge.

### **OCP**

If an overcurrent event occurs, both motor bridges are disabled until either SLEEPn is brought low or the VBB supply is cycled.

### **FAULTn**

This is an open-drain output that is pulled low during a TSD or overcurrent event. The output is released when the die temperature falls below the TSD level minus the hysteresis. For an over-current event, the output is held low until either SLEEPn is brought low or the VBB supply is cycled.

### **Parallel Operation**

The AMT49702 can be paralleled for applications that require higher output currents. In paralleled mode, the driver can source 1.8 A continuous. The AMT49702 has two completely independent bridges with separate overcurrent latches. This allows the device to supply two separate loads, and as a result, when paralleled, it is imperative that the internal current control is disabled by shorting the sense pins to ground.

Because the overcurrent trip threshold is internally fixed at 0.2 V, the trace resistance must be kept small so the internal current latch is not triggered prematurely. With acceptable margin, the voltage drop across the trace resistance should be under 0.1 V. At a peak current of 2.5 A, the trace resistance should be kept below 40 m $\Omega$  to prevent false tripping of the overcurrent latch.

Each bridge has some variation in propagation delay. During this time, it is possible that one bridge will have to support the full load current for a very short period of time. Propagation delays are characterized and guard banded to protect the driver from damage during these events.

PACKAGE OUTLINE DRAWINGS

For Reference Only – Not for Tooling Use

(Reference MO-153 ABT)  
 Dimensions in millimeters. NOT TO SCALE  
 Dimensions exclusive of mold flash, gate burrs, and dambar protrusions  
 Exact case and lead configuration at supplier discretion within limits shown

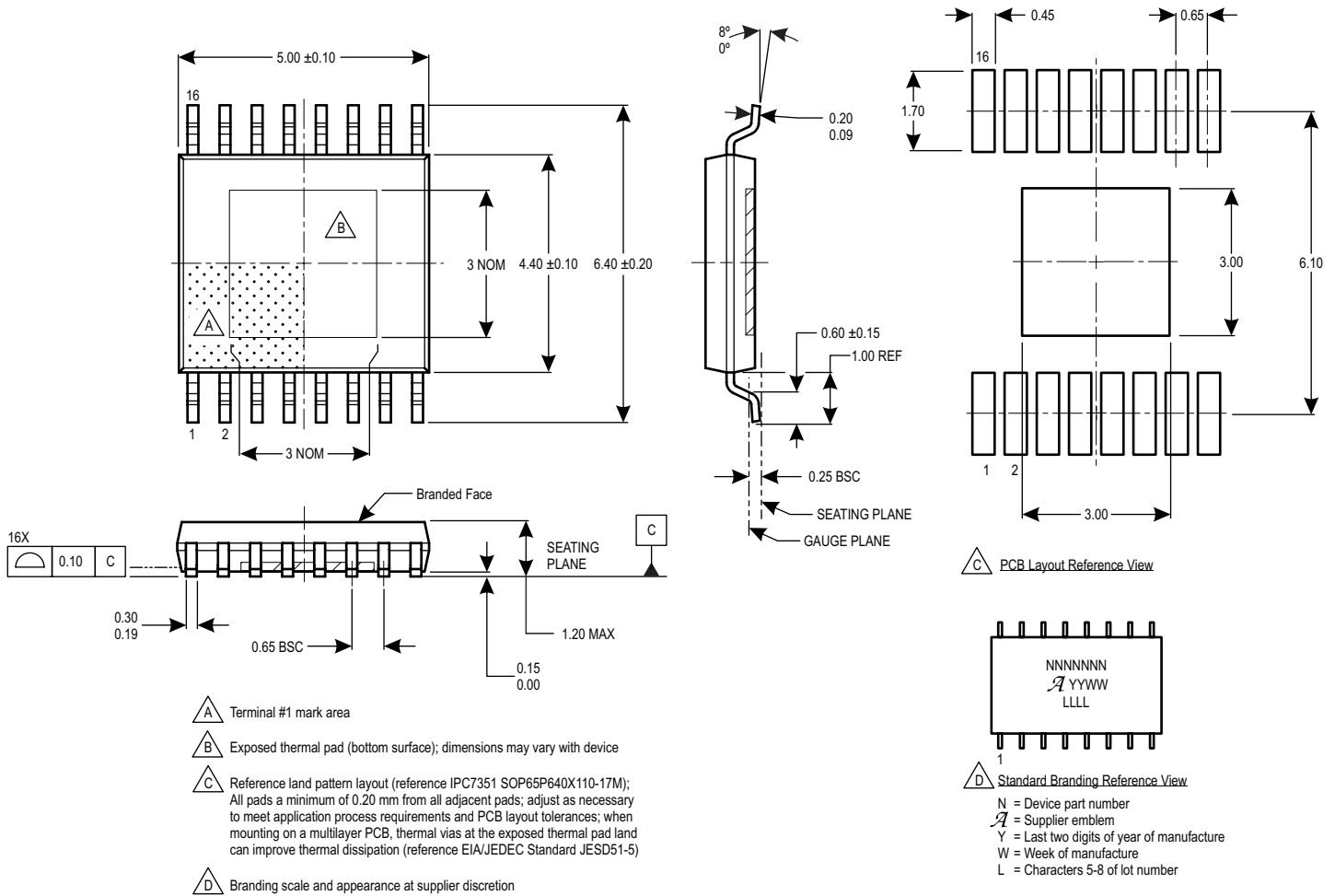


Figure 2: 16-lead TSSOP package (Suffix LP)

**Revision History**

Number	Date	Description
–	July 17, 2017	Initial release
1	August 30, 2017	Corrected selection guide (p. 2)

Copyright ©2017, Allegro MicroSystems, LLC

Allegro MicroSystems, LLC reserves the right to make, from time to time, such departures from the detail specifications as may be required to permit improvements in the performance, reliability, or manufacturability of its products. Before placing an order, the user is cautioned to verify that the information being relied upon is current.

Allegro's products are not to be used in any devices or systems, including but not limited to life support devices or systems, in which a failure of Allegro's product can reasonably be expected to cause bodily harm.

The information included herein is believed to be accurate and reliable. However, Allegro MicroSystems, LLC assumes no responsibility for its use; nor for any infringement of patents or other rights of third parties which may result from its use.

For the latest version of this document, visit our website:

[www.allegromicro.com](http://www.allegromicro.com)

