



Chipsmall Limited consists of a professional team with an average of over 10 year of expertise in the distribution of electronic components. Based in Hongkong, we have already established firm and mutual-benefit business relationships with customers from,Europe,America and south Asia,supplying obsolete and hard-to-find components to meet their specific needs.

With the principle of “Quality Parts,Customers Priority,Honest Operation,and Considerate Service”,our business mainly focus on the distribution of electronic components. Line cards we deal with include Microchip,ALPS,ROHM,Xilinx,Pulse,ON,Everlight and Freescale. Main products comprise IC,Modules,Potentiometer,IC Socket,Relay,Connector.Our parts cover such applications as commercial,industrial, and automotives areas.

We are looking forward to setting up business relationship with you and hope to provide you with the best service and solution. Let us make a better world for our industry!



## Contact us

Tel: +86-755-8981 8866 Fax: +86-755-8427 6832

Email & Skype: info@chipsmall.com Web: www.chipsmall.com

Address: A1208, Overseas Decoration Building, #122 Zhenhua RD., Futian, Shenzhen, China



# Altech Universal Multi-Timer

Altech's Universal Multi-Timers comprises 2 models featuring 2 or 10 timing functions to offer highest flexibility in controlling operations. The time range is adjustable from 0.1s to 100h. Dials on the front make it easy to use.

## Features

- Multifunctional Timer (10 Functions)
- Assymmetric Timer (2 Functions)
- Universal Voltage 12-265V AC/ DC
- Wide Time Range: 0.1s ~ 100h
- LED Indicator for Power and Relay Status
- DIN Rail Mounted
- 17.5mm Width



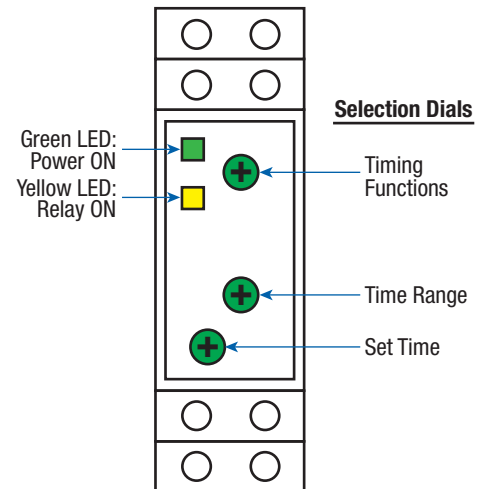
## Digital Timers

CAT. NO.	AMT10-S1	AMTAS-S1
Output Contacts	1 C/O	1 C/O
No. of Timer Functions	10	2
Functions	1) Signal ON Delay	1) Assymmetric ON/ OFF
	2) Cyclic ON/ OFF	2) Assymmetric OFF/ ON
	3) Cyclic OFF/ ON	
	4) Signal OFF Delay	
	5) Signal OFF/ ON	
	6) Accumulative Delay on Signal	
	7) Impulse ON/ OFF	
	8) Leading Edge Impulse	
	9) Trailing Edge Impulse	
	10) Leading Edge Bi-stable	

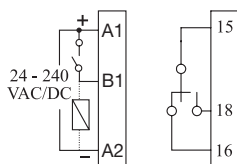
## SPECIFICATIONS

Supply Voltage	12 - 265 VAC/ DC (50, 60Hz)
Power Consumption	2 VA max.
Timing Range	0.1s ~ 100h
Reset Time	200ms max.
Repeat Accuracy	+1.0%
Output Contact Rating	8A @ 240V AC / 5A@240V DC (resistive)
Electrical Life	10,000 switching cycles
Mechanical Life	1,000,000 switching cycles
AC-15 Rating	Rated Voltage (Ue): 125/ 240V, Rated Current (Ie): 3/1.5A
DC-13 Rating	Rated Voltage (Ue): 125/ 250V, Rated Current (Ie): 2/0.22/0.1A
Operating Temperature	-10°C ~ +60°C (+14°F ~ 131°F)
Storage Temperature	-15°C ~ +70°C (-4°F ~ 149°F)
Weight	70g (0.14lb.)
Protection Enclosure	IP30
Protection Terminals	IP20
Torque	0.60 Nm (6 lb.in.)
Terminal Wire Size	0.3-2.5 mm <sup>2</sup> (18-10 AWG)

## DISPLAY FUNCTIONS



## CONNECTION DIAGRAMS



AMT10-S1, AMTAS-S1

## DIMENSIONS

