



Chipsmall Limited consists of a professional team with an average of over 10 year of expertise in the distribution of electronic components. Based in Hongkong, we have already established firm and mutual-benefit business relationships with customers from,Europe,America and south Asia,supplying obsolete and hard-to-find components to meet their specific needs.

With the principle of “Quality Parts,Customers Priority,Honest Operation,and Considerate Service”,our business mainly focus on the distribution of electronic components. Line cards we deal with include Microchip,ALPS,ROHM,Xilinx,Pulse,ON,Everlight and Freescale. Main products comprise IC,Modules,Potentiometer,IC Socket,Relay,Connector.Our parts cover such applications as commercial,industrial, and automotives areas.

We are looking forward to setting up business relationship with you and hope to provide you with the best service and solution. Let us make a better world for our industry!



## Contact us

Tel: +86-755-8981 8866 Fax: +86-755-8427 6832

Email & Skype: info@chipsmall.com Web: www.chipsmall.com

Address: A1208, Overseas Decoration Building, #122 Zhenhua RD., Futian, Shenzhen, China





PART NAME

NEMA DIE CAST ALUMINUM ENCLOSURE

PART No.

AN-1301-A & AN-1301-AB

REVISION DATE

9-30-15

UL LISTED FOR U.S. AND CANADA - FILE #E194432

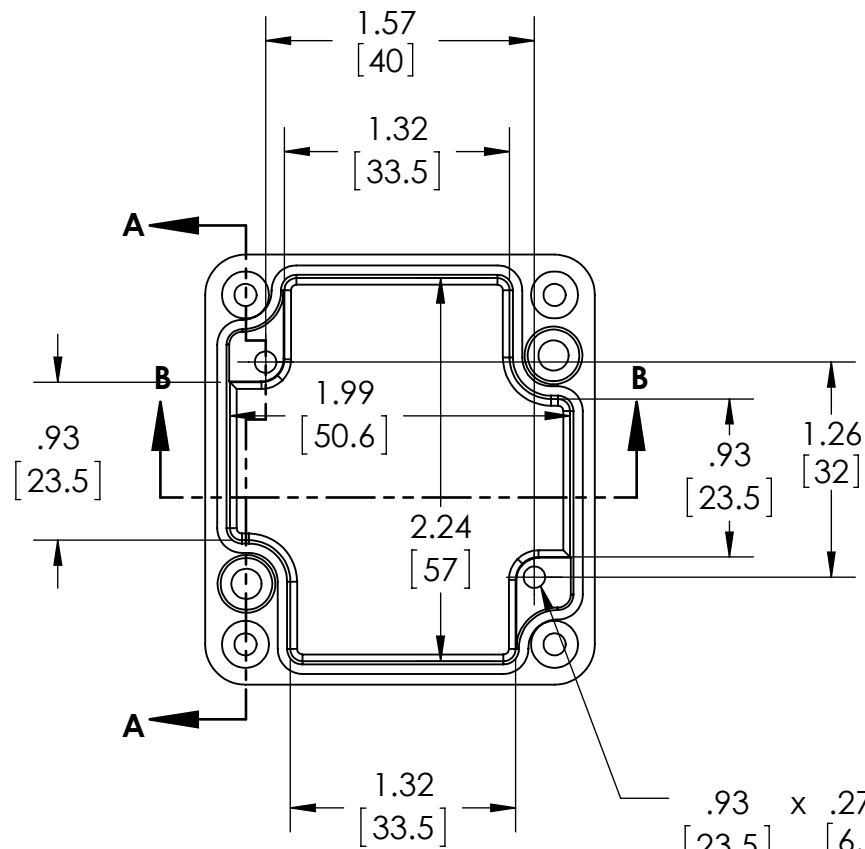
TYPE RATING 4, 4X, 6, 6P, 12 AND 13, COMPARE TO IP-68

80°C. MAXIMUM OPERATING TEMPERATURE

UPDATE REPLACES PART NO. AN-1301 (NATURAL) & AN-1301-G (DISCONTINUED GRAY)

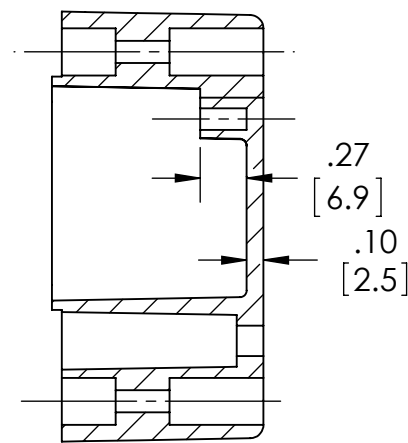
**DRAWING FOR REFERENCE**

WE RESERVE THE RIGHT TO MAKE CHANGES TO OUR STANDARD PRODUCTS. PLEASE CONSULT WITH BUD INDUSTRIES PRIOR TO USING THIS DRAWING FOR DESIGN PURPOSE.

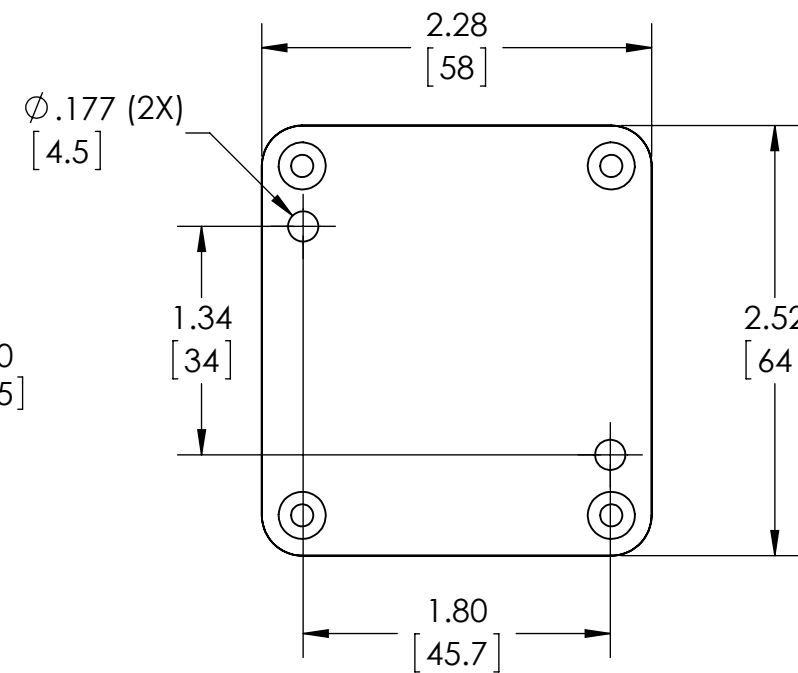


.93 x .272 DEEP (2X)  
[23.5] [6.9]  
ACCEPTS M3.5 x 6mm LG.  
OR #6 x 1/4" LG.  
SELF-TAPPING SCREW  
(NOT SUPPLIED - FOR PCB  
MOUNTING)

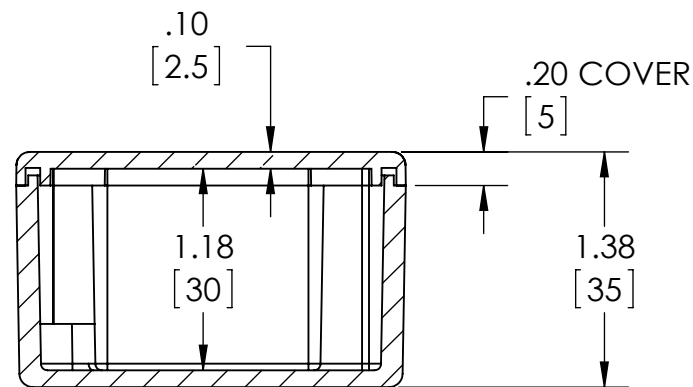
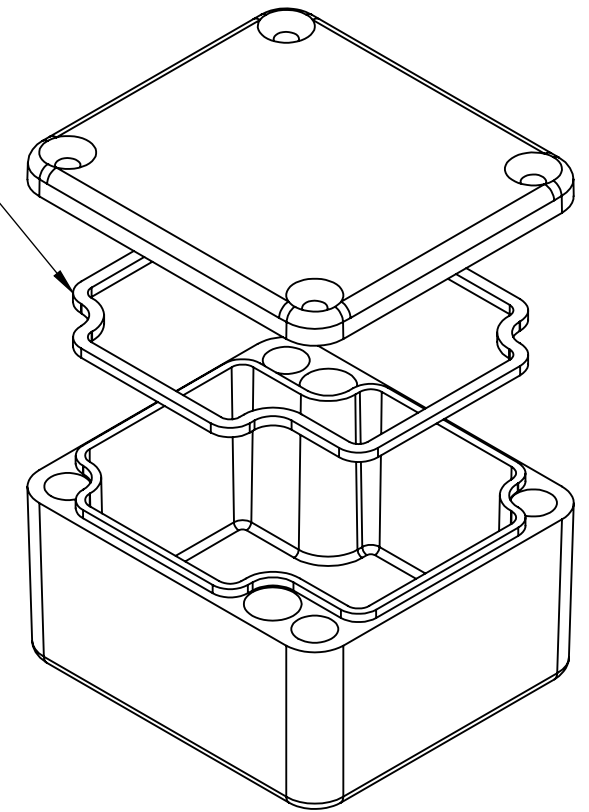
**BODY  
COVER NOT SHOWN**



**SECTION A-A**



GASKET (NOT INSTALLED)  
MOLDED SILICONE GRAY



**SECTION B-B**

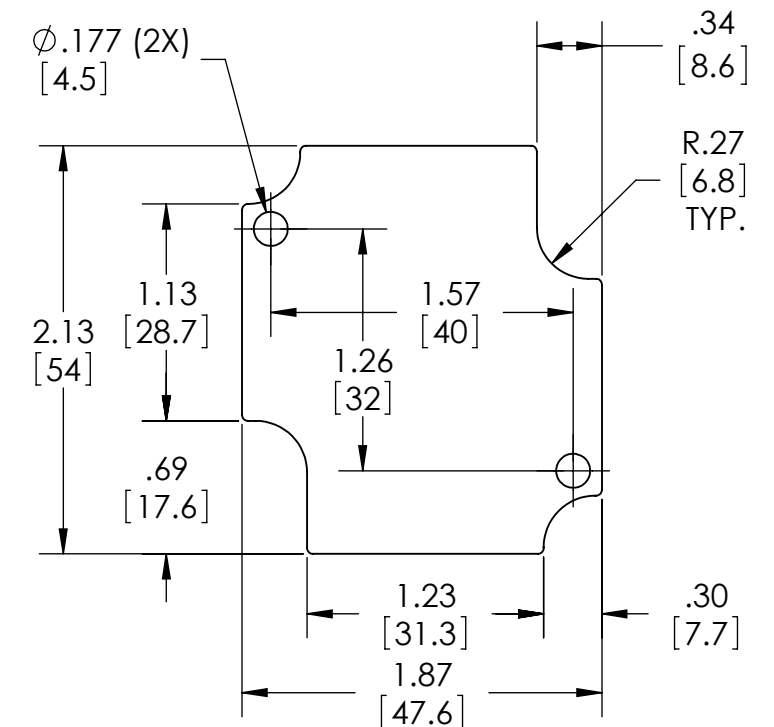
MATERIAL: BODY & COVER - ALUMINUM ALLOY #ADC-12

FINISH: NATURAL (SUFFIX -A)  
SMOOTH BLACK POWDERCOAT (SUFFIX -AB)

FOUR (4) M4x0.7 x 20mm (.79") LG. 90° CSK. HEAD  
STAINLESS STEEL SCREWS SUPPLIED FOR ASSEMBLY  
OF COVER TO BODY. APPLY AT 12 IN./LB. OF  
TORQUE.

OUTSIDE AND INSIDE DRAFT ANGLE: 1°  
DIMENSIONS ARE INCH[MM]

OPTIONAL ACCESSORIES:  
PCB MOUNTING KIT #57-58  
INTERNAL PANEL #ANX-91301  
WALL MOUNT BRACKETS #ANX-1390  
REPLACEMENT GASKET #1301GSKTSC



**OPTIONAL INTERNAL PANEL AND  
SUGGESTED PC BOARD LAYOUT**