



Chipsmall Limited consists of a professional team with an average of over 10 year of expertise in the distribution of electronic components. Based in Hongkong, we have already established firm and mutual-benefit business relationships with customers from,Europe,America and south Asia,supplying obsolete and hard-to-find components to meet their specific needs.

With the principle of “Quality Parts,Customers Priority,Honest Operation,and Considerate Service”,our business mainly focus on the distribution of electronic components. Line cards we deal with include Microchip,ALPS,ROHM,Xilinx,Pulse,ON,Everlight and Freescale. Main products comprise IC,Modules,Potentiometer,IC Socket,Relay,Connector.Our parts cover such applications as commercial,industrial, and automotives areas.

We are looking forward to setting up business relationship with you and hope to provide you with the best service and solution. Let us make a better world for our industry!



## Contact us

Tel: +86-755-8981 8866 Fax: +86-755-8427 6832

Email & Skype: info@chipsmall.com Web: www.chipsmall.com

Address: A1208, Overseas Decoration Building, #122 Zhenhua RD., Futian, Shenzhen, China



PART NAME

NEMA 4X DIE CAST ALUMINUM ENCLOSURE

PART No.

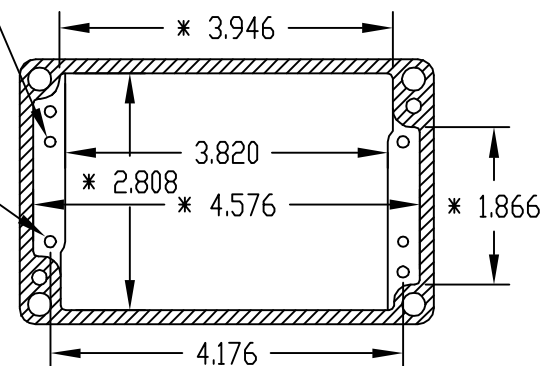
AN-1313, AN-1313-G, AN-2813 & AN-2813-B

REV. DATE

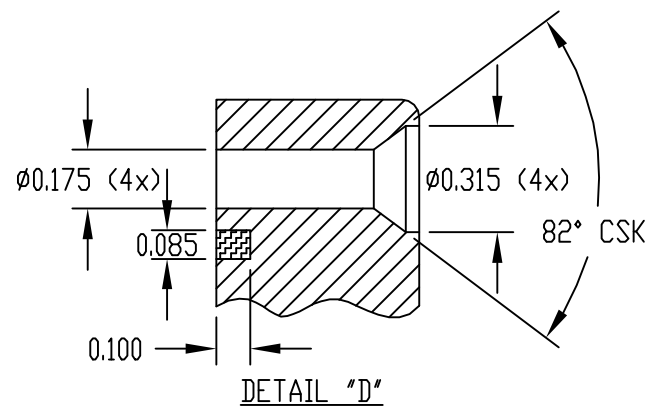
12-17-08

Ø0.125 x 0.290 DEEP (2x)  
ACCEPTS M3.5 x 6mm  
SELF-TAPPING SCREW  
(NOT SUPPLIED)

Ø0.136 x 0.290 DEEP (4x)  
ACCEPTS M4 x 6mm  
SELF-TAPPING SCREW  
(NOT SUPPLIED)



SECTION "B-B"  
\* DIMENSIONS ARE AT  
BOTTOM OF ENCLOSURE



MATERIAL: ALUMINUM ALLOY #ADC-12

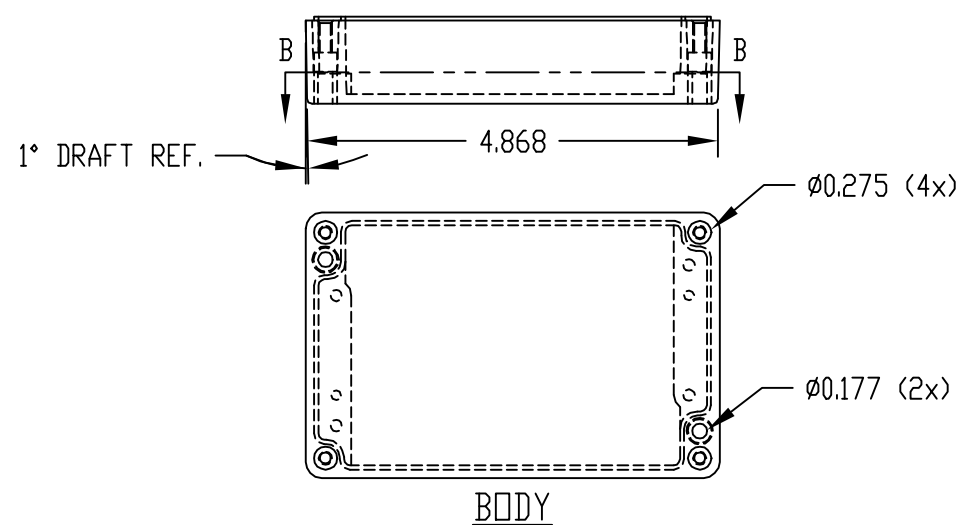
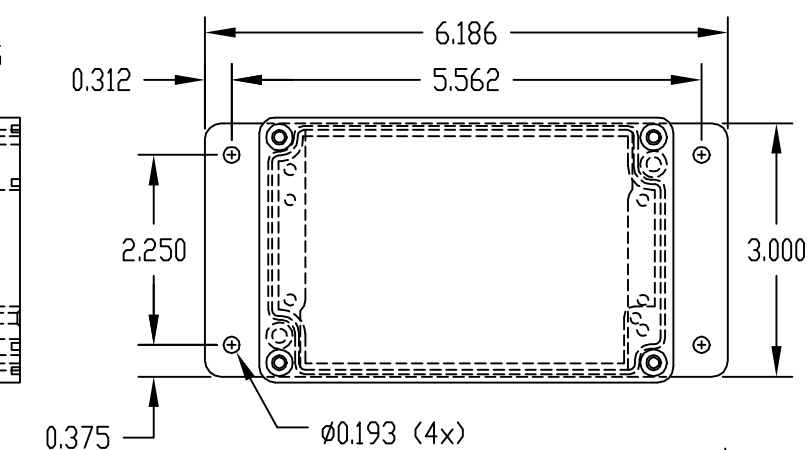
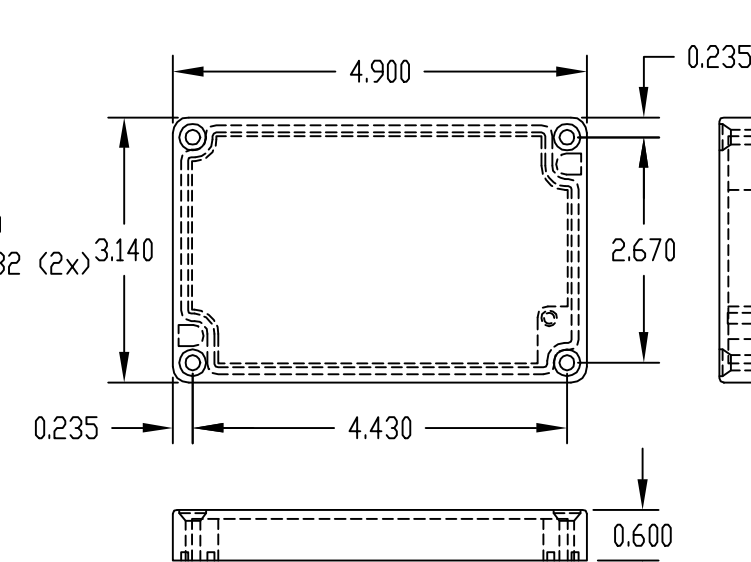
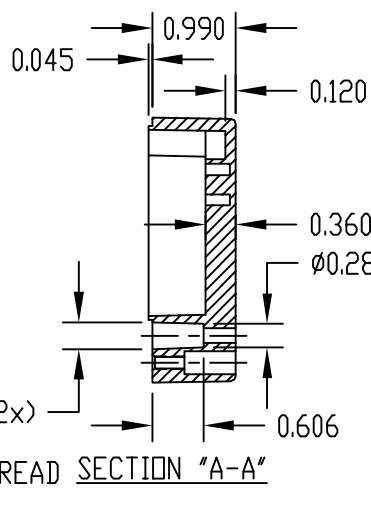
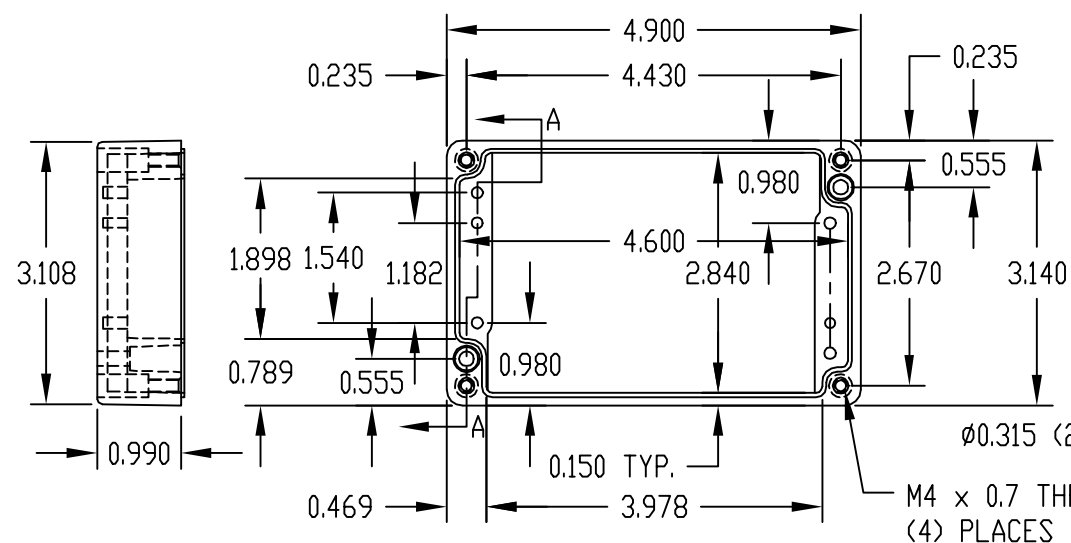
FINISH: NATURAL (NO SUFFIX)

GRAY (SUFFIX -G)

SMOOTH BLACK (SUFFIX -B)

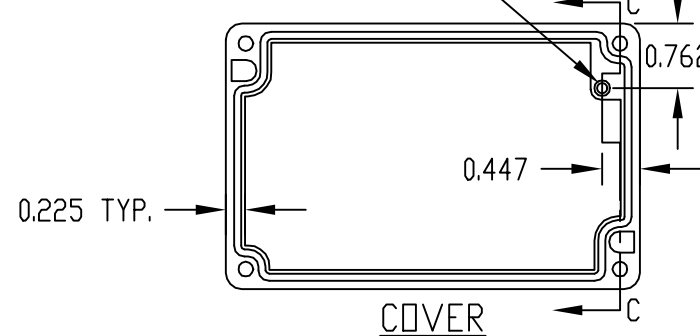
NOTES:

- 1) FOUR (4) M4 x 25mm (0.975") LG. SCREWS SUPPLIED FOR ASSEMBLY OF COVER TO BODY.
- 2) ALL HOLE DIAMETERS HAVE ±0.005 TOLERANCE. ALL OTHER DIMENSIONS HAVE ±0.015 TOLERANCE



BODY

Ø0.125 x 0.500 DEEP (1x)  
ACCEPTS M3.5 x 6mm  
SELF-TAPPING SCREW  
(NOT SUPPLIED)

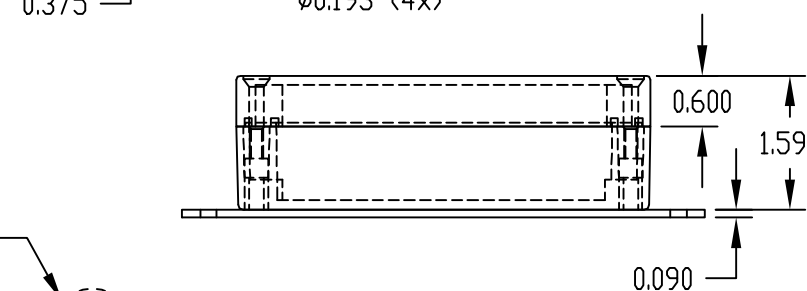


COVER

SEE DETAIL "D"

SILICONE GASKET (CLEAR)

SECTION "C-C"



PART NO. AN-2813 & AN-2813-B  
ARE SUPPLIED WITH A WELDED  
ON MOUNTING BRACKET ONLY.