



Chipsmall Limited consists of a professional team with an average of over 10 year of expertise in the distribution of electronic components. Based in Hongkong, we have already established firm and mutual-benefit business relationships with customers from,Europe,America and south Asia,supplying obsolete and hard-to-find components to meet their specific needs.

With the principle of "Quality Parts,Customers Priority,Honest Operation,and Considerate Service",our business mainly focus on the distribution of electronic components. Line cards we deal with include Microchip,ALPS,ROHM,Xilinx,Pulse,ON,Everlight and Freescale. Main products comprise IC,Modules,Potentiometer,IC Socket,Relay,Connector.Our parts cover such applications as commercial,industrial, and automotives areas.

We are looking forward to setting up business relationship with you and hope to provide you with the best service and solution. Let us make a better world for our industry!



Contact us

Tel: +86-755-8981 8866 Fax: +86-755-8427 6832

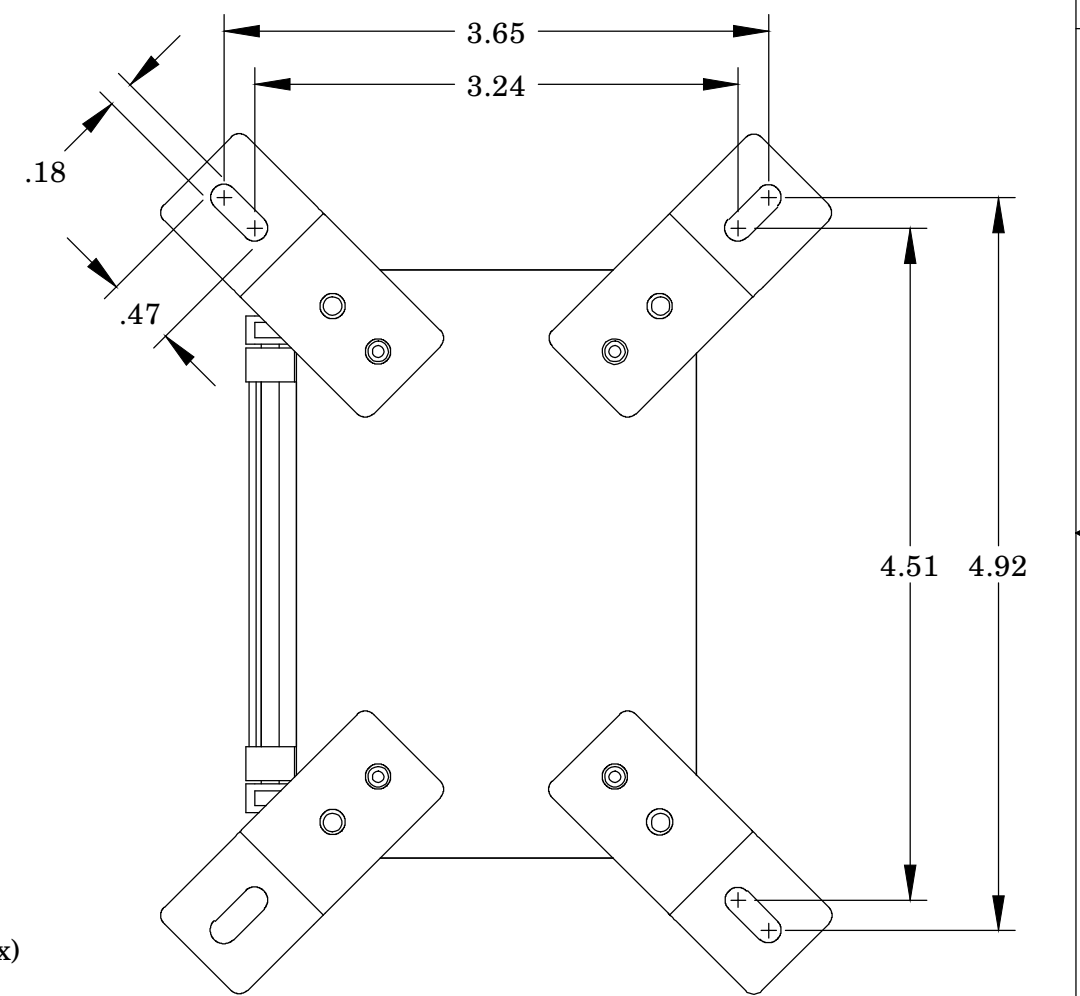
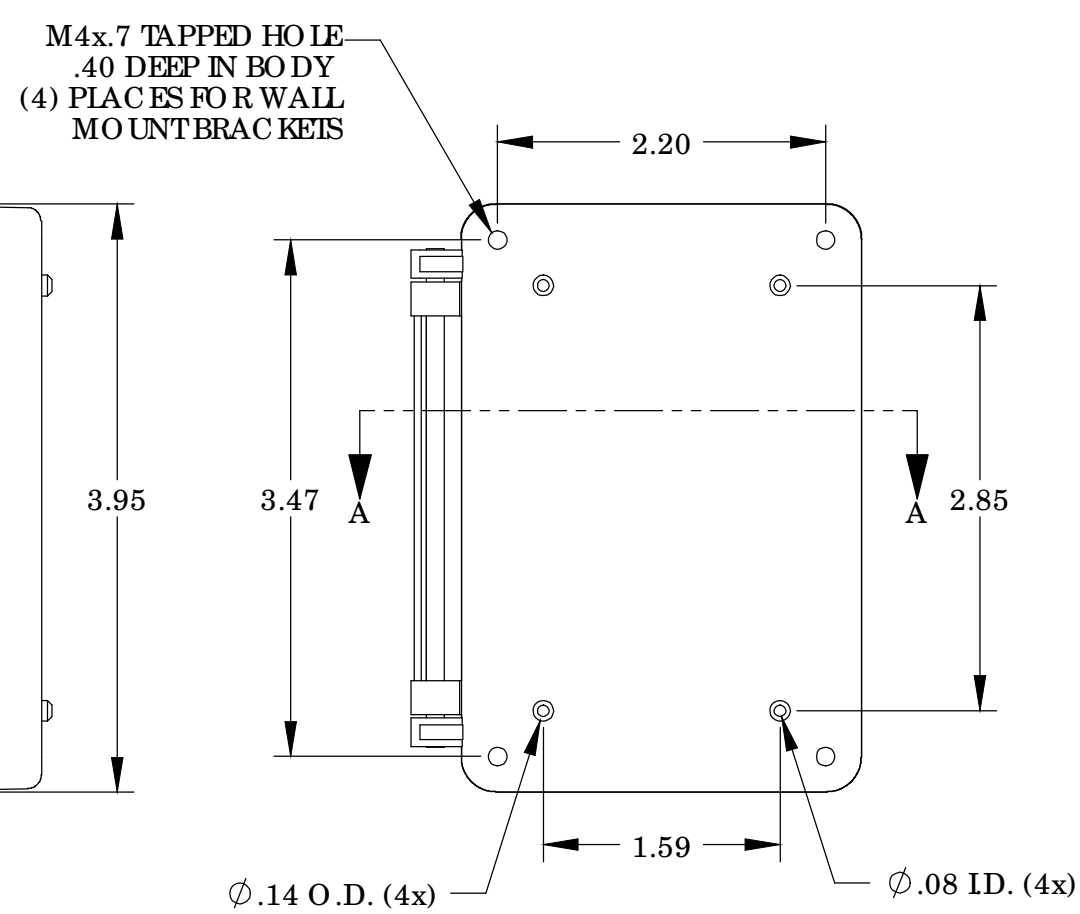
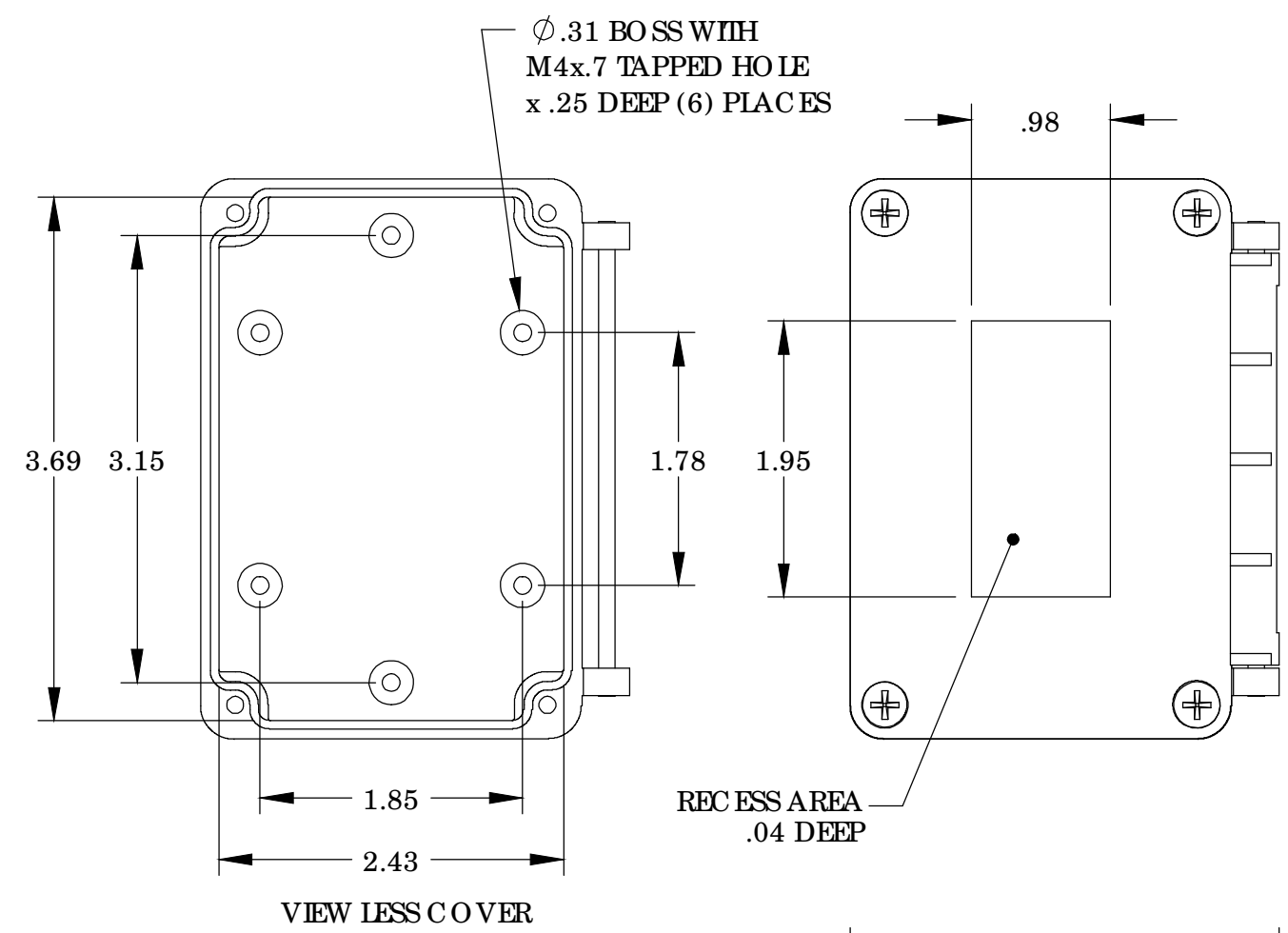
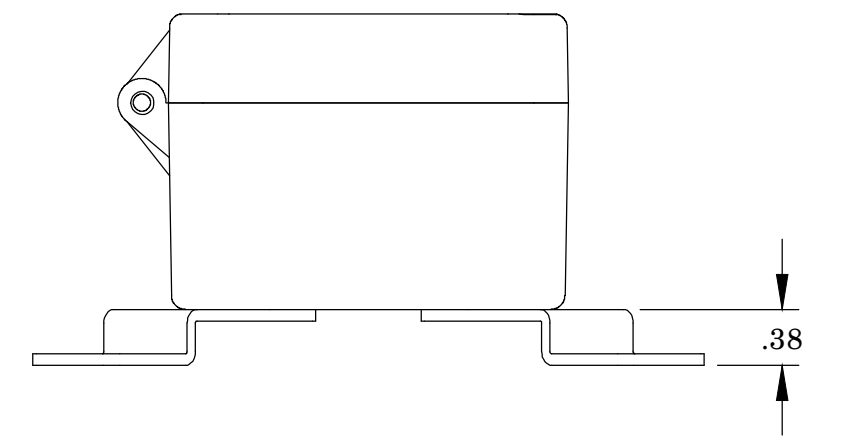
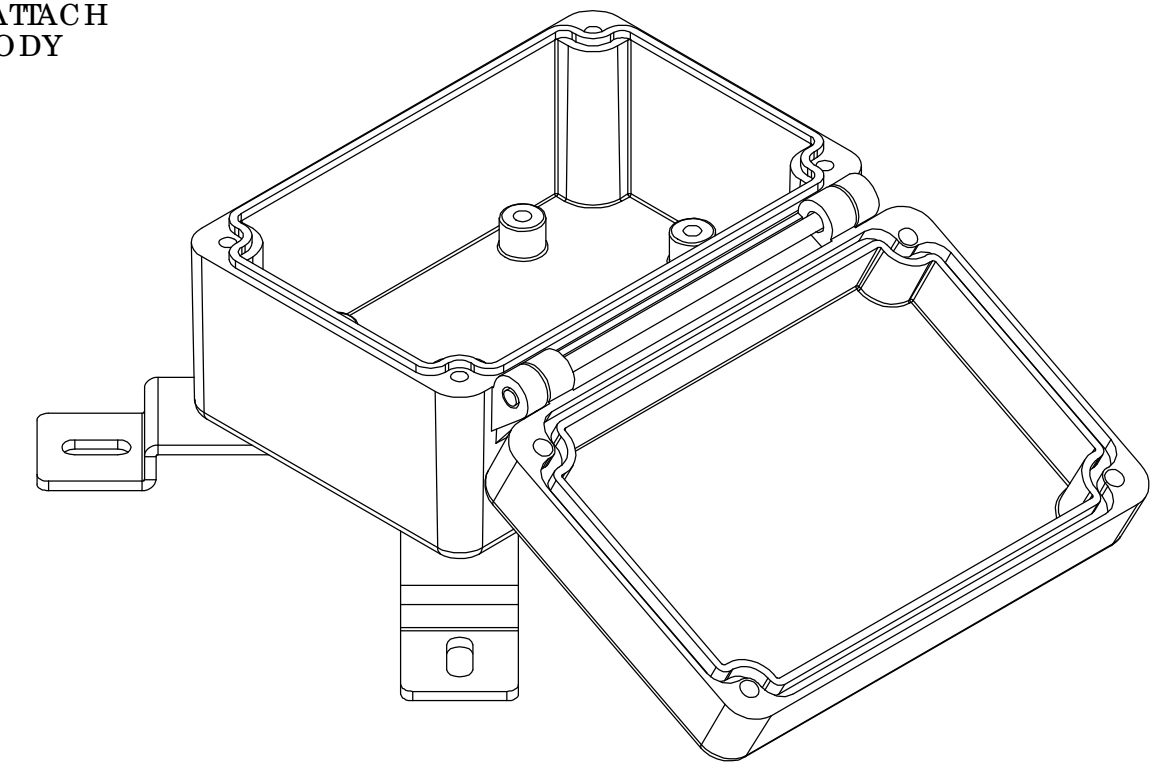
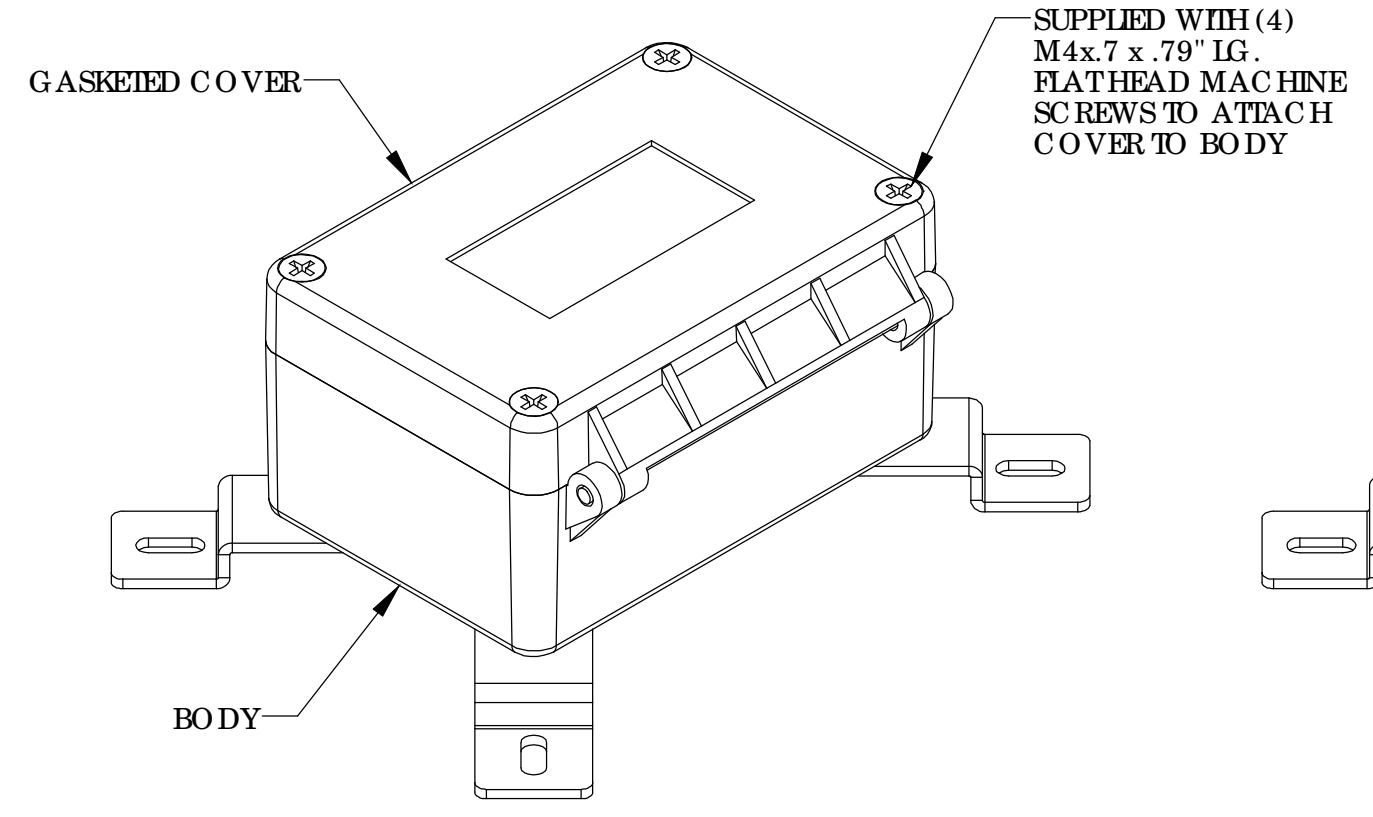
Email & Skype: info@chipsmall.com Web: www.chipsmall.com

Address: A1208, Overseas Decoration Building, #122 Zhenhua RD., Futian, Shenzhen, China

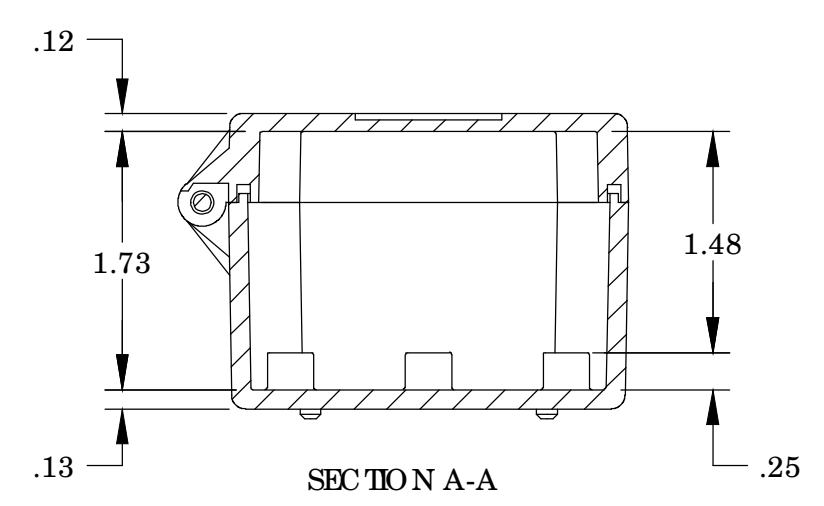
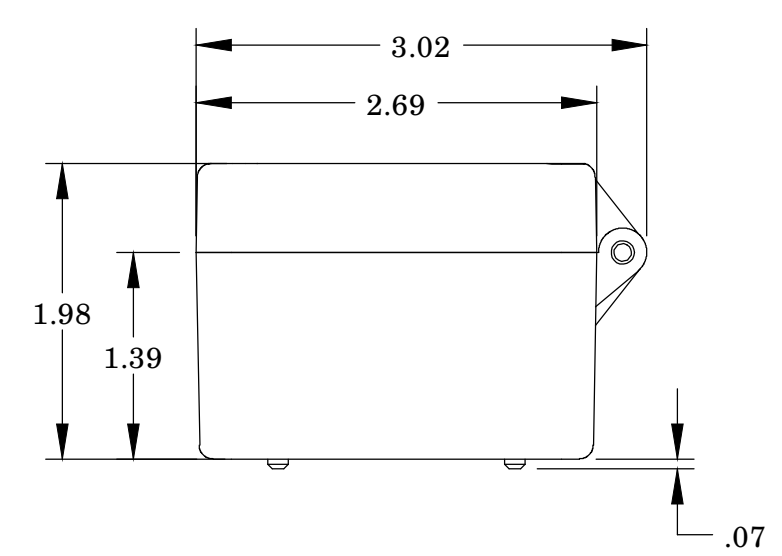


THE INFORMATION CONTAINED IN THIS DRAWING IS THE SOLE PROPERTY OF BUD INDUSTRIES INC. ANY REPRODUCTION IN PART OR WHOLE WITHOUT THE WRITTEN PERMISSION OF BUD INDUSTRIES INC. IS PROHIBITED.

DWG. NO.	AN-2900
ISSUE	REVISIONS
(A)	UPDATED DRAWING 8-8-08 DAB



REFERENCE SHOWN WITH MOUNTING BRACKETS
ASSEMBLED (SHIPPED UNASSEMBLED AND
SUPPLIED WITH M4x.7 x .33" LG. PAN HD. SCREWS)



MATERIAL: ALUMINUM ADC-12
FINISH: SMOOTH BLACK POWDER COAT

PARTS LIST		BUD INDUSTRIES INC.	
+/- .005 BETWEEN HOLE CENTERS +/- .015 FROM SHEARED EDGE +/- .032 FROM A BENT SURFACE +/- .062 BETWEEN ASSEMBLED SURFACES UNLESS OTHERWISE SPECIFIED MATERIAL: AS NOTED FINISH: AS NOTED	CAD GENERATED DRAWING. DO NOT MANUALLY UPDATE. APPROVALS: DRAWN: DP, CHECKED: [blank], APPROVED: [blank] DATE: 5/31/05	NEMA HINGED BOX DWG. NO. AN-2900 SCALE: [blank] CAD FILE: [blank] SUBSET 1 OF 1	

QTY.	USED ON	DO NOT SCALE DRAWING
------	---------	----------------------